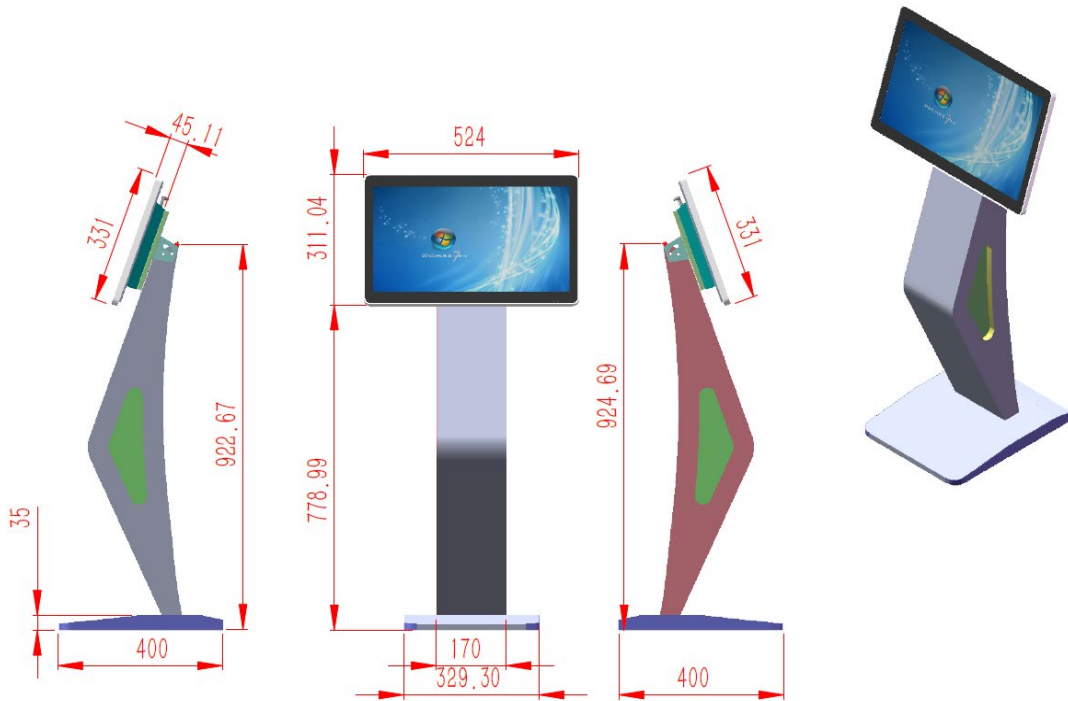


**21.5" 2K Screen K Design  
Horizontal PC Touch Screen  
User Manual**

# 21.5" 2K Screen K Design Horizontal PC Touch Screen User Manual

**Model: LHK1021-T**

**Player Size:**



## **LG Screen Specification:**

<b>Panel Brand</b>	<b>LG</b>
<b>Panel Size</b>	<b>21.5inch</b>
<b>Display Area</b>	<b>476.4mm*268.2mm</b>
<b>Resolution</b>	<b>1920*1080</b>
<b>Brightness</b>	<b>250cd/m<sup>2</sup></b>
<b>Display Scale</b>	<b>16:9</b>
<b>Lifetimes</b>	<b>Over 50000 hours</b>
<b>Contrast Ratio</b>	<b>1000:1</b>
<b>Working Frequency</b>	<b>60Hz</b>
<b>Response Time</b>	<b>9ms</b>
<b>Interface Signal</b>	<b>LVDS</b>
<b>Operating Temperature</b>	<b>-10℃ ~ 50℃</b>
<b>Storage Temperature</b>	<b>-20℃ ~ 60℃</b>

## **Touch Screen Specification:**

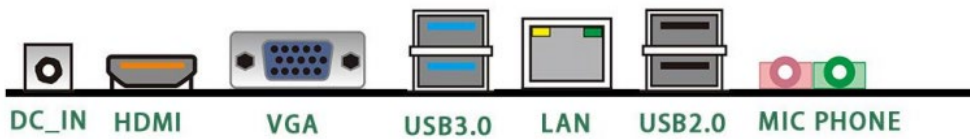
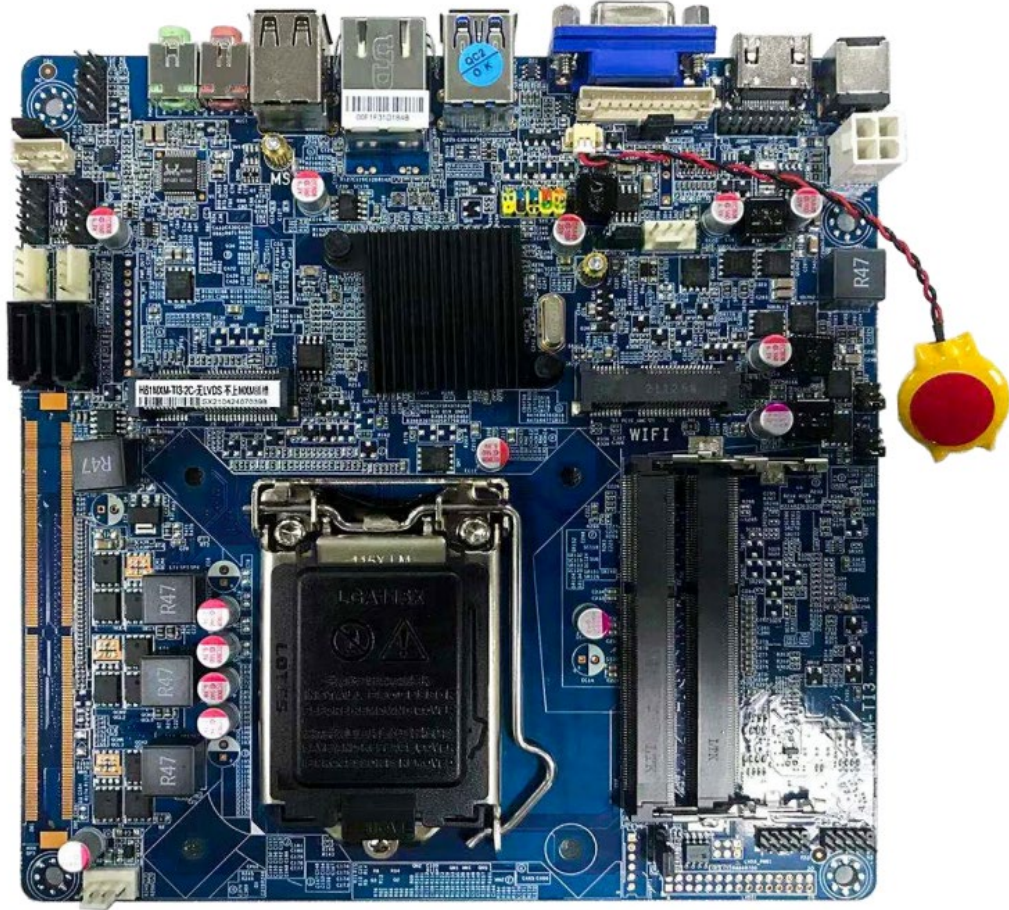
<b>Touch Screen Panel Size</b>	<b>21.5inch</b>
<b>Touch Technology</b>	<b>Capacitive Touch</b>
<b>Touch Points</b>	<b>10 Points</b>
<b>Lifetimes</b>	<b>≥60000 thousand points</b>
<b>Interface Signal</b>	<b>USB</b>

## PC Board Specification:

<b>PC Board Model</b>	<b>Integrated Intel® Core™ i5-6300U</b>
<b>Operate System</b>	<b>Support Windows7/10/11</b>
<b>Running Memory</b>	<b>DDR4 8GB,maximum support 16GB</b>
<b>Storage</b>	<b>128G SSD</b>
<b>Graphics Card Type</b>	<b>Integrated Intel HD Graphics core graphics</b>
<b>Network Port</b>	<b>RJ45 network port</b>
<b>WIFI</b>	<b>Support IEEE 802.11 b/g/n</b>
<b>USB Port</b>	<b>USB2.0*2、USB3.0*2</b>
<b>VGA Output</b>	<b>VGA*1(external), VGA*1(built-in plug pin)</b>
<b>HDMI Output</b>	<b>HDMI*1(external), HDMI*1(built-in plug pin)</b>
<b>Earphone Port</b>	<b>Earphone*1</b>
<b>Microphone Port</b>	<b>Microphone*1</b>
<b>Operating Temperature</b>	<b>-20~55 °C</b>
<b>Audio Features</b>	<b>Onboard Realtek ALC, support 5.1 sound channel, support HD audio</b>
<b>Graphics Card</b>	<b>Support 4K HD video display</b>

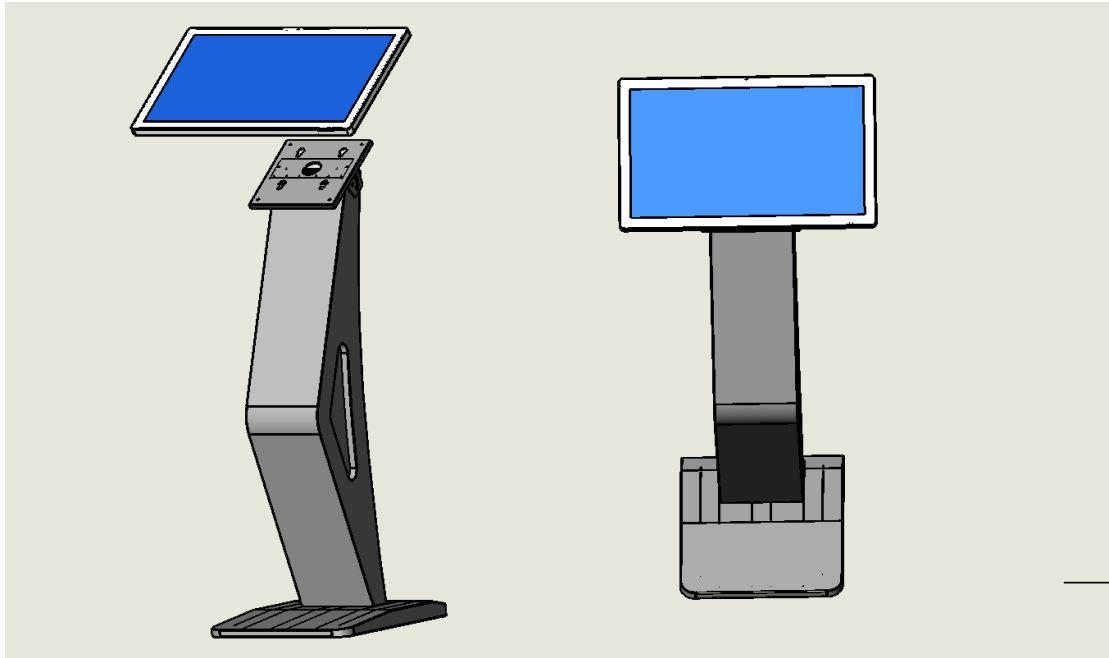
# PC Board Picture:

---

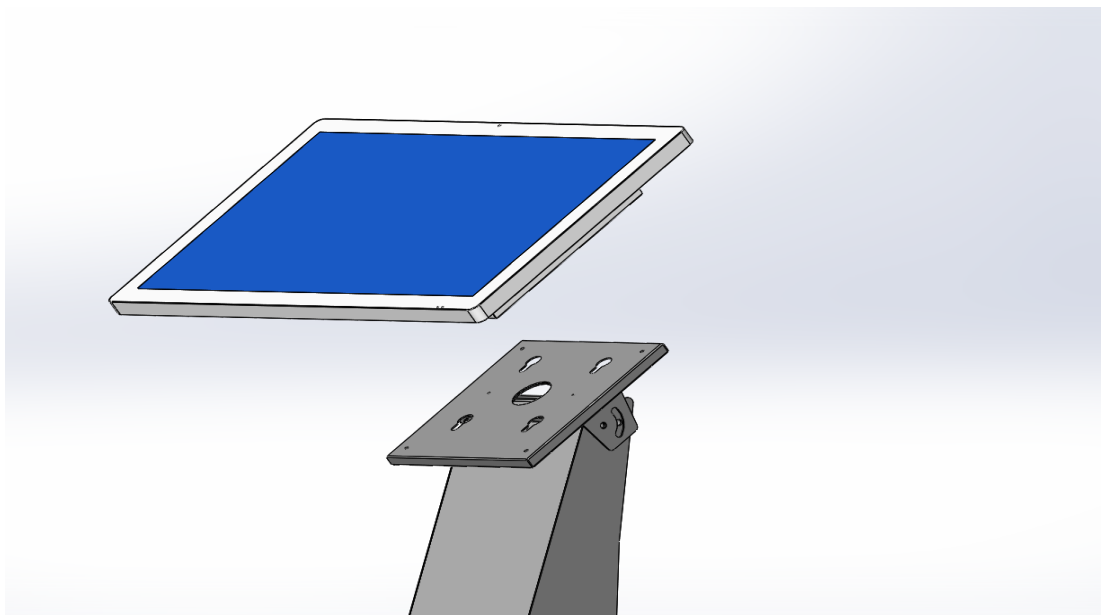


# Assembly Guide:

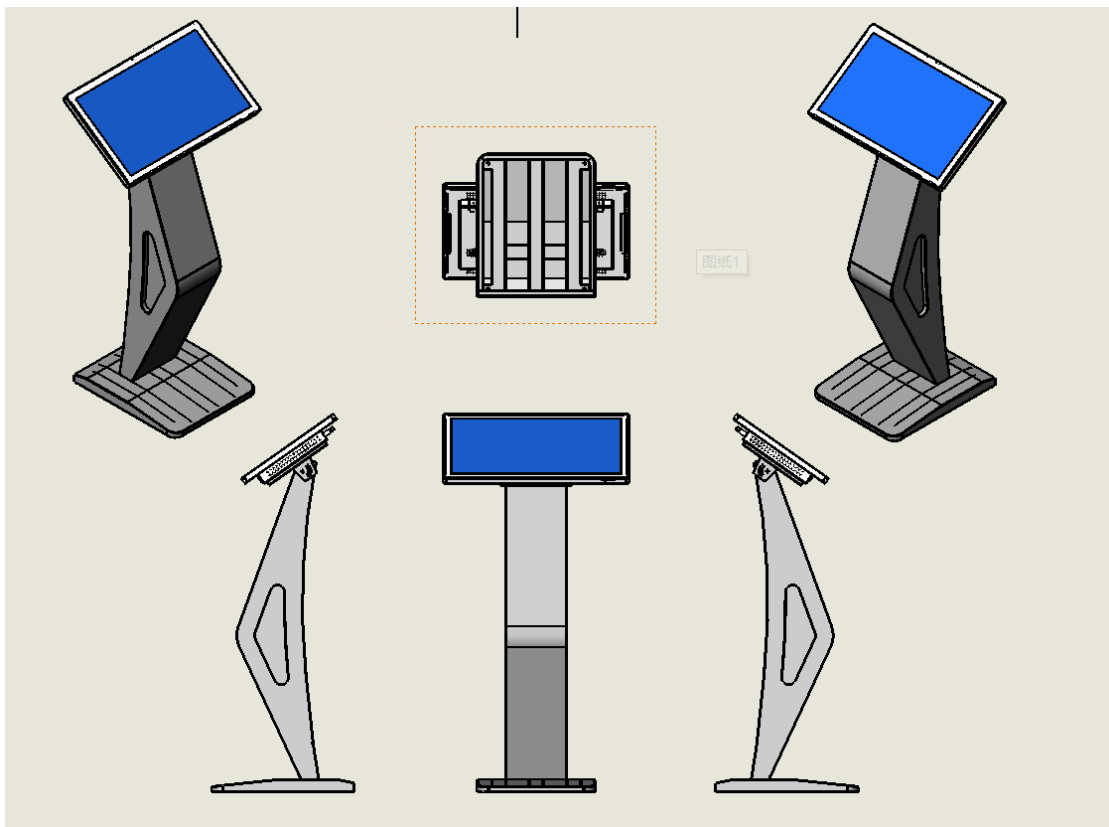
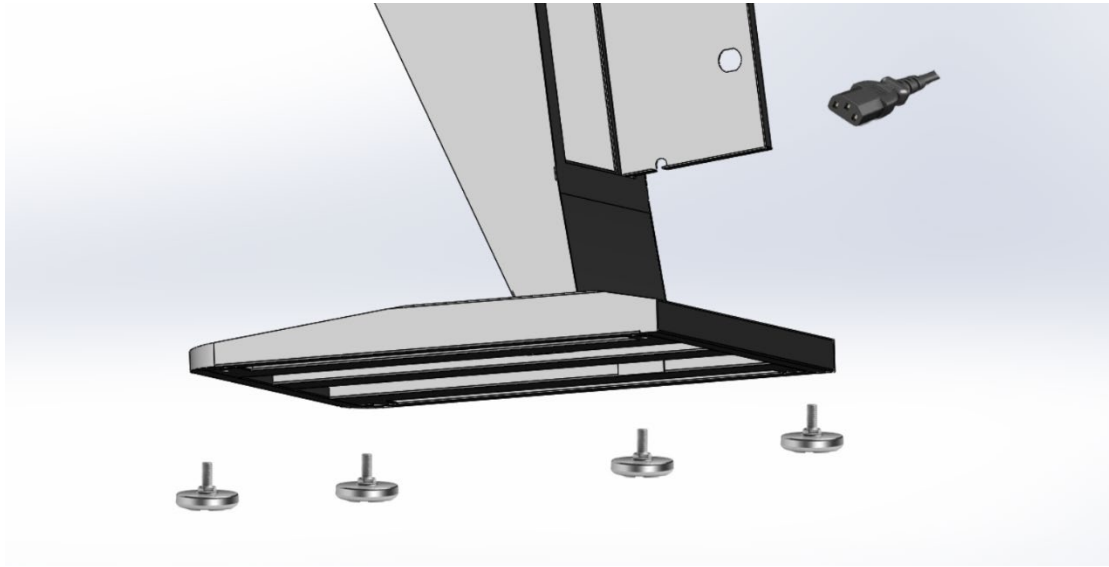
**Step 1: Make sure all parts are available: Touch Screen Monitor, Base, 4pcs M6 Screws, Power Cable, 4pcs pads, Antenna Wi-Fi**



**Step 2: Install player body and base, then tighten the remaining screws.**



**Step 3: Install the antenna Wi-Fi and the 4pcs pads and connect the power cable, then turn on the player.**



## **Accessories:**

<b>1.Power Cable*1</b>
<b>2.Remote Control*1</b>
<b>3.User Manual*1</b>
<b>4.Antenna WIFI*1</b>
<b>5. Pad*4</b>

<b>Warranty Card</b>	
<b>Product Model</b>	
<b>Date of Production</b>	
<b>Date of Purchase</b>	