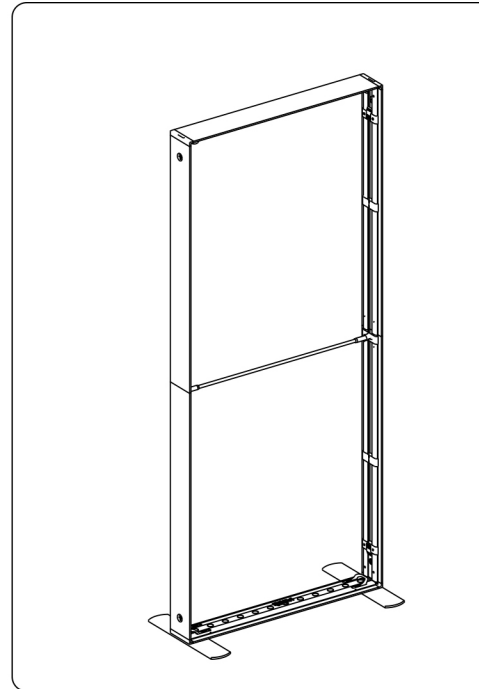
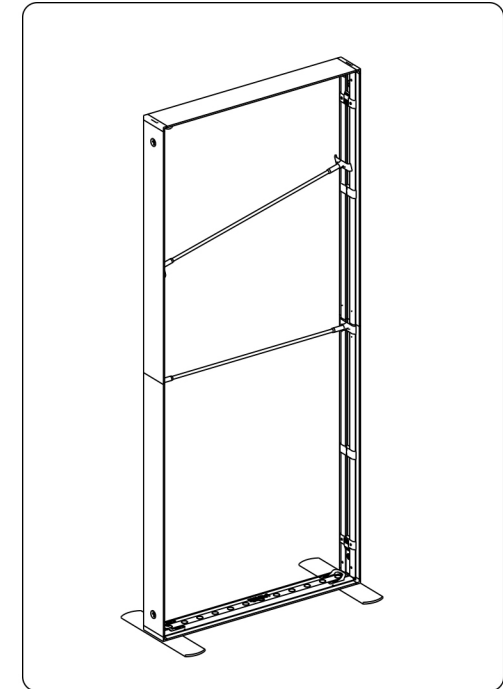


Monitor Bracket

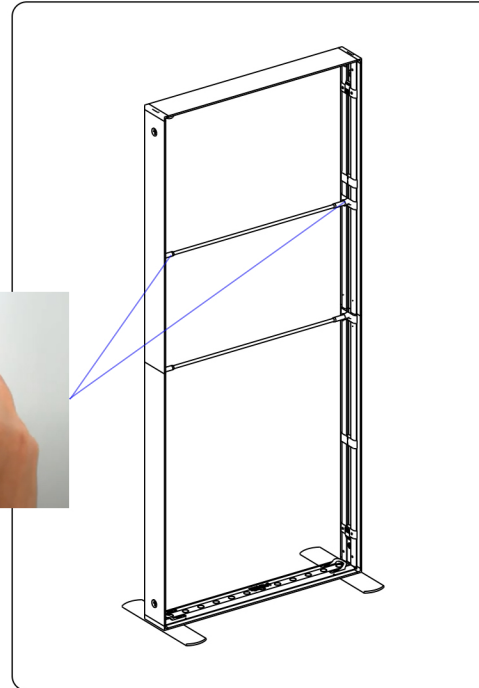
Step 1: Assemble Frame



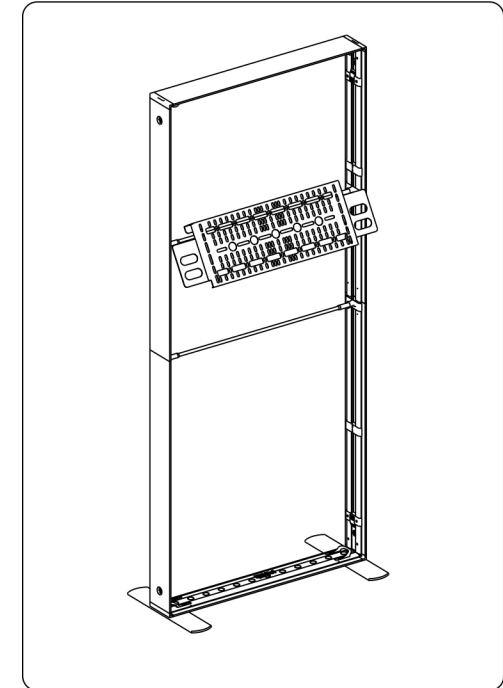
Step 2: Attach Support Rod



Step 3: Make sure to lock tabs



Step 4: Hang Mounting Plate



Step 5: Install Fabric and Cut Holes for Bolts



Step 6: Attach TV from Back of Fabric



Step 7: Attach Back Fabric or Liner