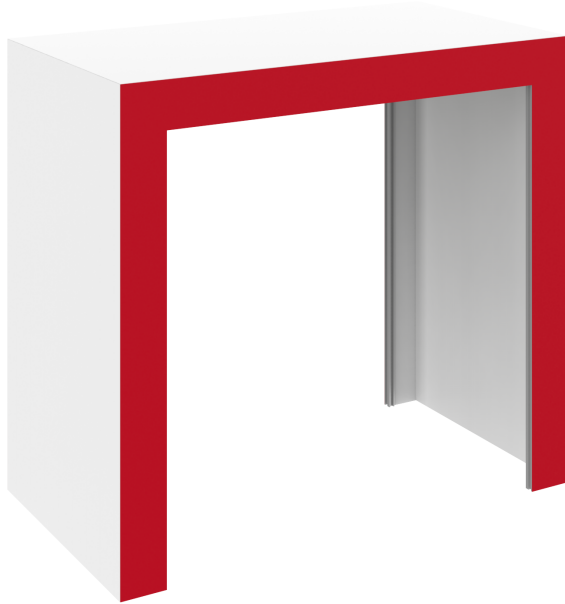


Hybrid Pro Modular Counter 19

HPC-19

The Hybrid Pro™ Modular Counter 19 is a portable reception counter that is sophisticated in appearance and easy to assemble. It comes in four color options, and you can add an optional adhesive backed vinyl graphic to add a pop of color. This three-piece counter is easy to assemble and pack, plus it comes with a portable shipping case!



We are continually improving and modifying our product range and reserve the right to vary the specifications without prior notice. All dimensions and weights quoted are approximate and we accept no responsibility for variance. E&OE. See Graphic Templates for graphic bleed specifications

features and benefits:

- Sleek and stylish laminated wood counter
- Three piece assembly for quick set up
- Optional adhesive backed vinyl graphic
- Color options include dove grey, black, designer white and fusion maple
- Packs into OCH2 portable case

dimensions:

Hardware

Assembled unit:

43.31" w x 39.37" h x 23.23" d
1100mm(w) x 1000mm(h) x 590(d)

Approximate Weight:
58lbs / 27 kg

Graphics

Refer to related graphic templates for more information Visit:

<https://www.theexhibitorshandbook.com/downloads/download-graphic-templates> or click here

Shipping

Packing case(s):
1 OCH2

Shipping dimensions:
OCH2:
(52" L x 29" H x 15" D)
1448mm(l) x 1449mm(h) x 838mm(d)

Approximate shipping weight:
93lbs / 43 kg

additional information:

Graphic material:

Printed vinyl front and back edge.

Panel Colors:



Dove
Grey



Black



Designer
White



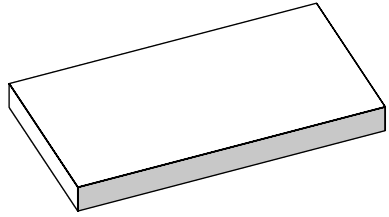
Fusion
Maple

1 person assembly recommended:

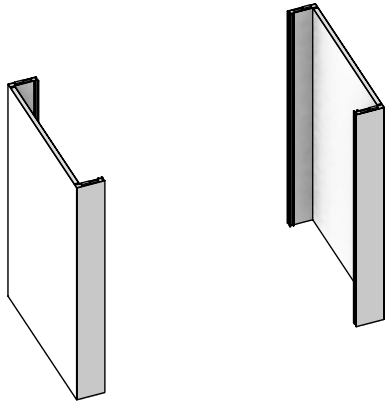


This product may include the following materials for recycle: aluminum, select wood, fabric, cardboard, paper, steel, and plastics.

Included In Your Kit



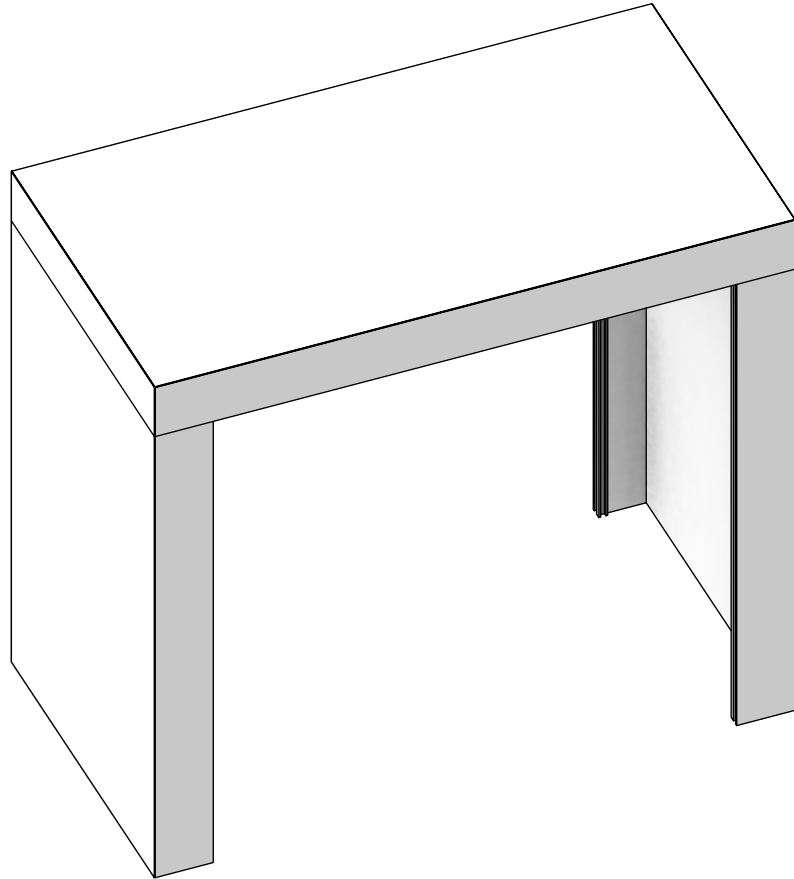
x1 COUNTER TOP



x2 LEG



7PC (SILVER) HEX KEY SET

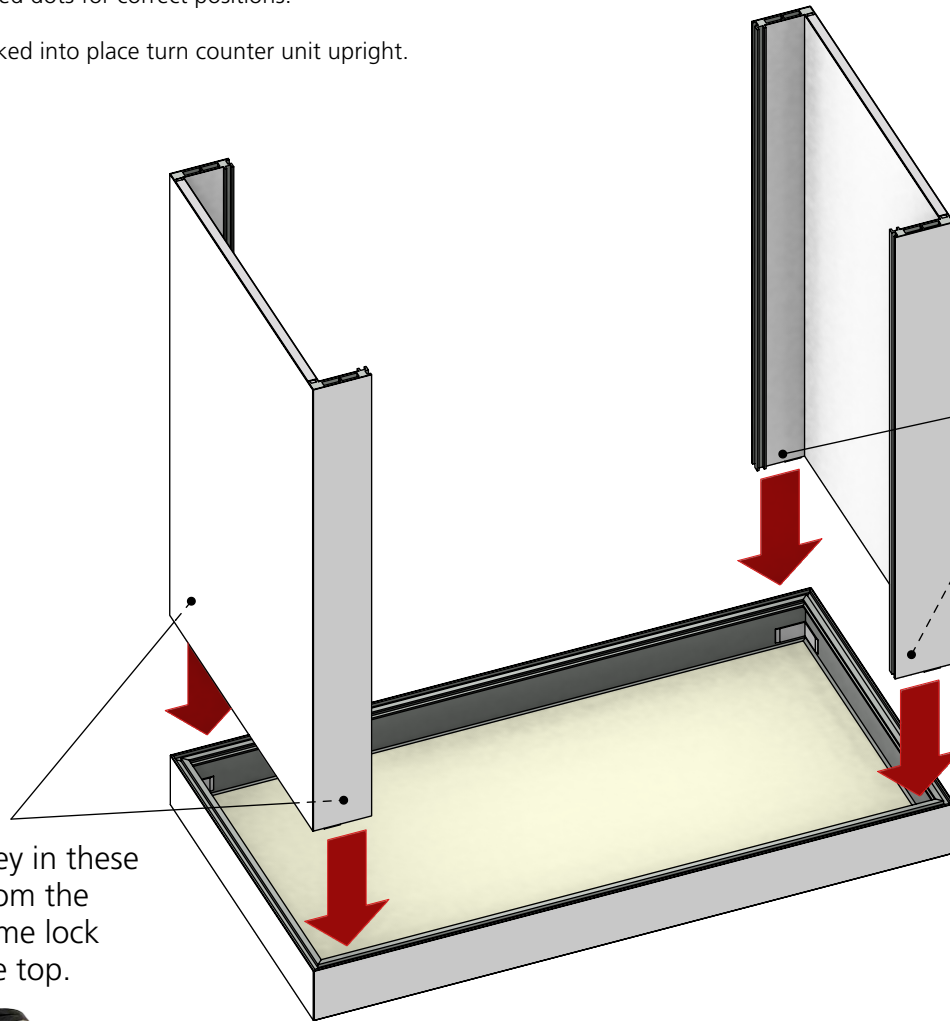


Hybrid Pro Modular Counter 19

1. Remove the top panels from case and lay it upside down on the floor, then lock each vertical side to the top as shown using the provided hex key. Be sure to match the colored dots for correct positions.

2. Once the legs are securely locked into place turn counter unit upright.

Using the Hex key in these two positions from the inside of the frame lock each leg into the top.



Using the Hex key in these two positions from the inside of the frame lock each leg into the top.



ASSEMBLY