

Vector Fast Frame Banners 01 & 02

VFF-01-F & VFF-02-F

Vector Fast Frame™ Banners 01 & 02 are amazing and innovative collapsible SEG frames that assemble in seconds. The 1.6" ultra slim frame holds seamless, easy-to-change silicone edge graphics (SEG), which are easily applied to the front and back of the banner. Graphics are easy to change out to deliver new messages. Lightweight and thin in profile, the Fast Frame is toolless and can be constructed in seconds. It is also highly portable, making travel and storage easy.



VFF-01-F

VFF-02-F

We are continually improving and modifying our product range and reserve the right to vary the specifications without prior notice. All dimensions and weights quoted are approximate and we accept no responsibility for variance. E&OE. See Graphic Templates for graphic bleed specifications

features and benefits:

- Collapsible, slim SEG frame
- Assembles in seconds
- Seamless and easy to change SEG push-fit graphics
- Silver frame
- Front and back graphics available
- Two graphic material options available
- Highly portable and breaks down easy
- Includes carry bag
- One year limited warranty against manufacturer defects

dimensions:

Hardware

Assembled unit:
Vector Fast Frame 01:
39.4" w x 94.5" h x 15.75" d
1000mm w x 2400mm h x 400mm d

Approximate Weight:
15.5 lbs / 7.25 kg

Vector Fast Frame 02:
47.2" x 94.5" x 15.75"
1200mm x 2400mm x 400mm

Approximate Weight:
16 lbs / 7.25 kg

Graphics

Graphic material:

Eclipse Blockout Stretch (dye-sublimated fabric)

See graphic templates for graphic sizes.

Refer to related graphic templates for more information Visit:

<https://www.theexhibitorshandbook.com/downloads/download-graphic-templates>
or click here

Shipping

Packing case(s):

1 Box:

Vector Fast Frame 01:

Shipping dimensions: 54" L x 5" H x 9" D

Approximate shipping weight: 17 lbs / 7.7 kg

Vector Fast Frame 02:

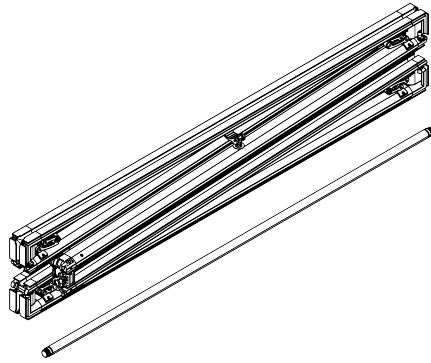
Shipping dimensions: 50" L x 5" H x 9" D

Approximate shipping weight: 17 lbs / 7.7 kg

additional information:

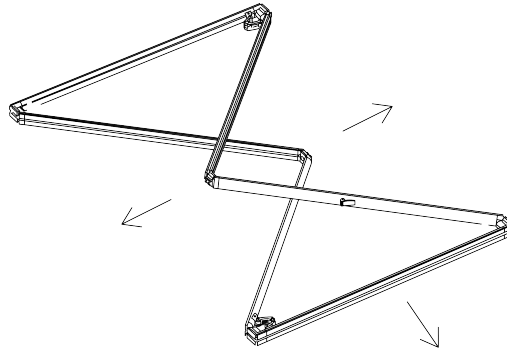
Assembly Steps

1



Lay frame on floor as shown.

2



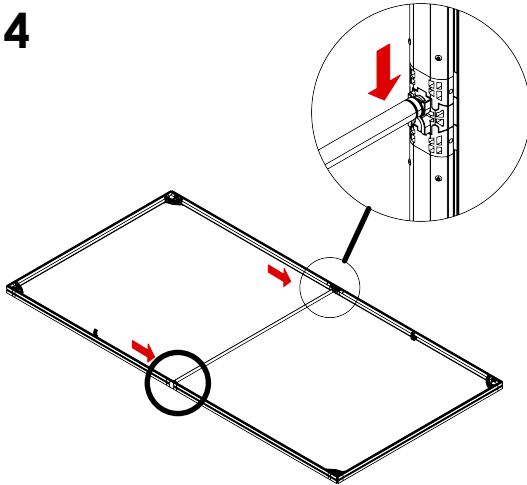
Carefully expand the frame.

3



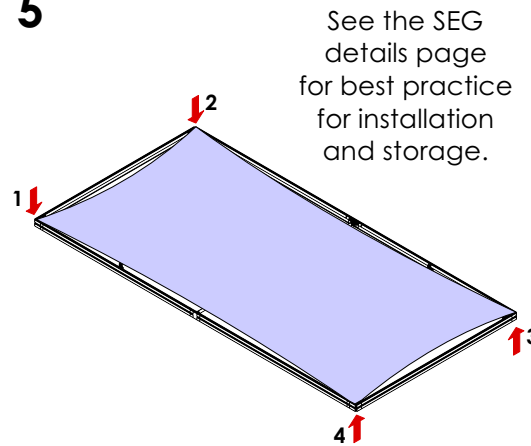
Confirm the frame is completely opened and square.

4



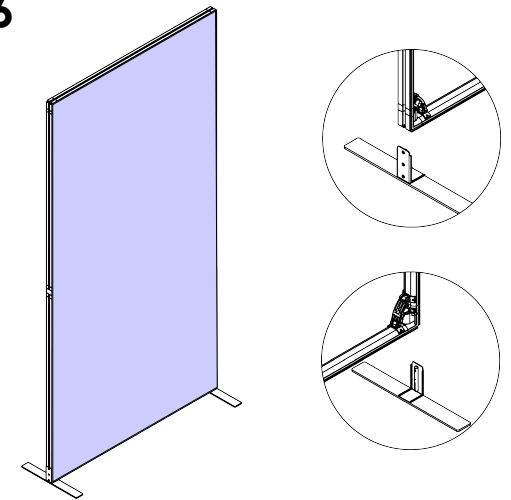
Press the horizontal support pole into place as shown.

5



Starting at the corners press the SEG graphic into the channel.

6

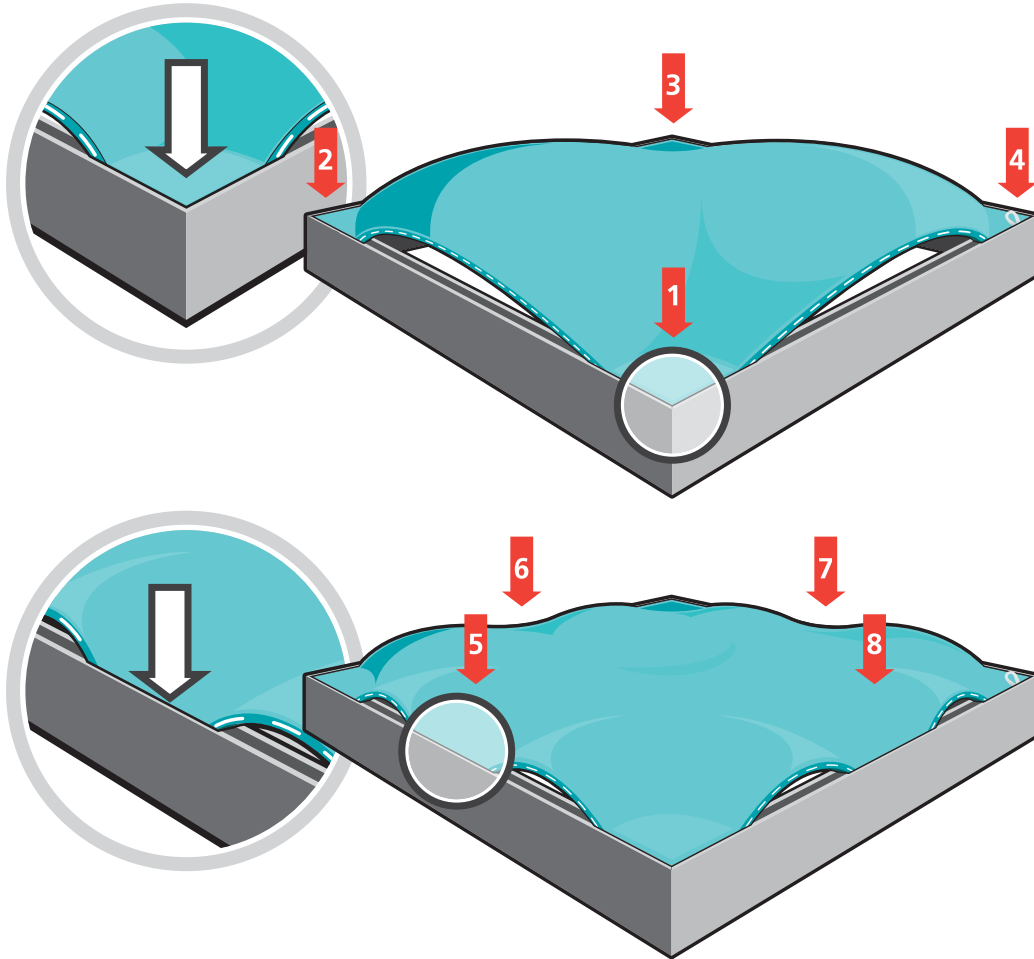


Snap feet into frame corners.
**WARNING: REMOVE FEET
BEFORE DISASSEMBLY**

How to Apply & Remove Graphics

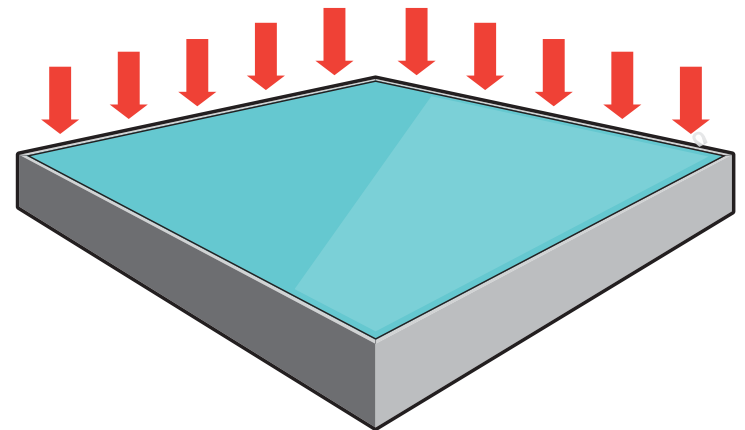
Installation and removal of SEG graphics is easy!

Installation: Push the SEG bead into each corner of the frame (1-4) with your thumb, then push the SEG bead into the middle of the run (5-8) and work your way around the perimeter of the frame until all beading is pushed in properly; if necessary, go around the perimeter again to ensure beading is secure in the extrusion profile.



Note: Keep the set up area clean by using a drop cloth, washing hands before set-up or by wearing gloves.

Removal: Use the pull tab located on the graphic and gently pull the graphic from the frame, going around the perimeter.

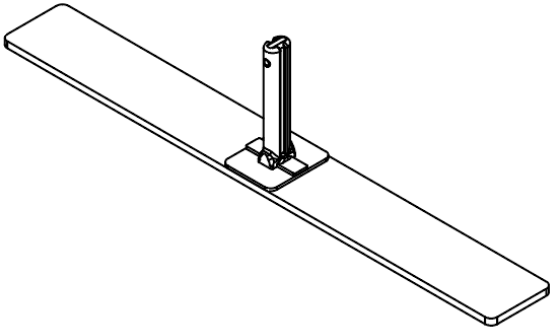


Graphics Storage & Care

Graphics should be folded with the graphic facing inward and stored in a zip lock /sealable plastic bag. Spot clean by wiping with a damp white cloth. If washing is necessary, use a commercial size front-loading washing machine, gentle cycle with cool water. Line dry flat. Dry cleaning is NOT recommended to prevent shrinkage.

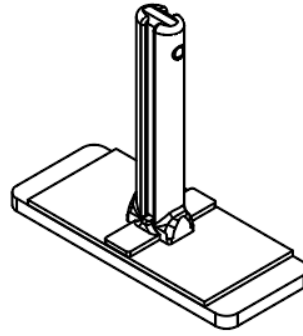
Accessories

Use to connect multiple frames,
beyond 10' in total length



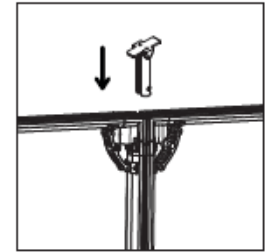
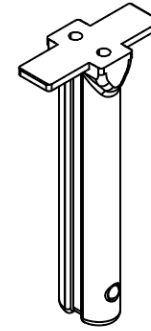
Middle Full Foot
VFF-F-FULL FOOT

Use to connect multiple frames,
10' or less in total length



Middle Small Foot
VFF-F-SM FOOT

Top connector



2 Way Connector
VFF-F-CONNECT-W2