

Vector Fast Frame Light Box 01

VFF-LB-01-F

Vector Fast Frame™ Light Box 01 is an innovative, collapsible SEG light box that sets up in seconds. The collapsible frame is slim at 3.35" and has pre-attached LED lights on the left and right sides. The sides are magnetized allowing you to connect additional banners side by side easily. This simple frame holds seamless, easy-to-change silicone edge graphics (SEG), which are easily applied to the front and back. Graphics can be easily swapped out to deliver new messages so you can use the frame again and again! Vector Fast Frame Light Box 01 is lightweight, portable, and requires no tools, so assembly is a breeze. It packs down small, making travel and storage simple.



We are continually improving and modifying our product range and reserve the right to vary the specifications without prior notice. All dimensions and weights quoted are approximate and we accept no responsibility for variance. E&OE. See Graphic Templates for graphic bleed specifications

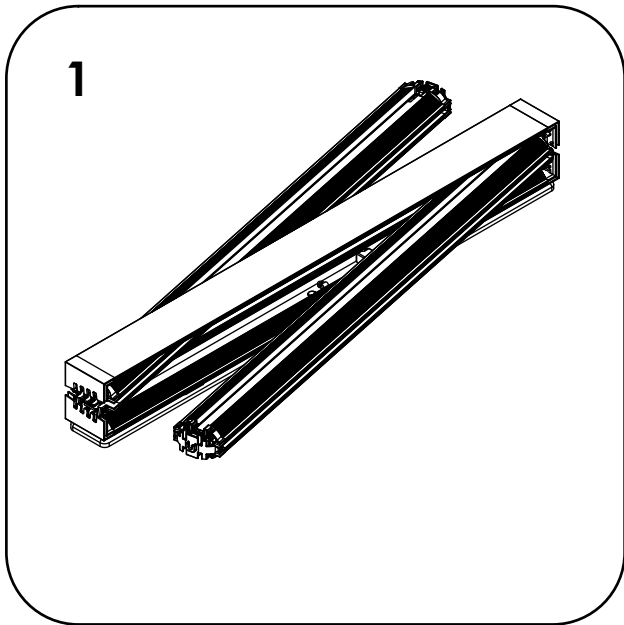
features and benefits:

Features and benefits:

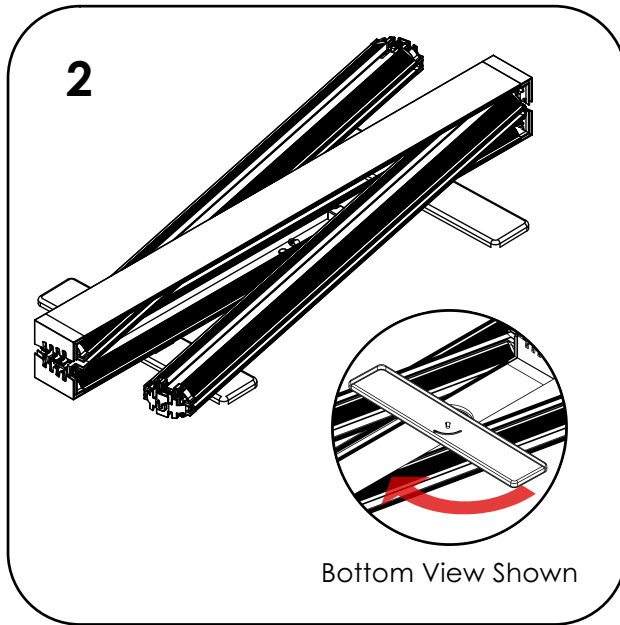
- Collapsible, slim light box banner
- Magnetized sides allow you to connect banners side by side
- Assembles in seconds
- Seamless and easy to change SEG push-fit graphics
- Silver frame
- Front and back graphics available
- Two backlit graphic material options available
- Highly portable and breaks down easy
- Includes carry bag
- Five year LED light warranty
- One year limited warranty against manufacturer defects

dimensions:

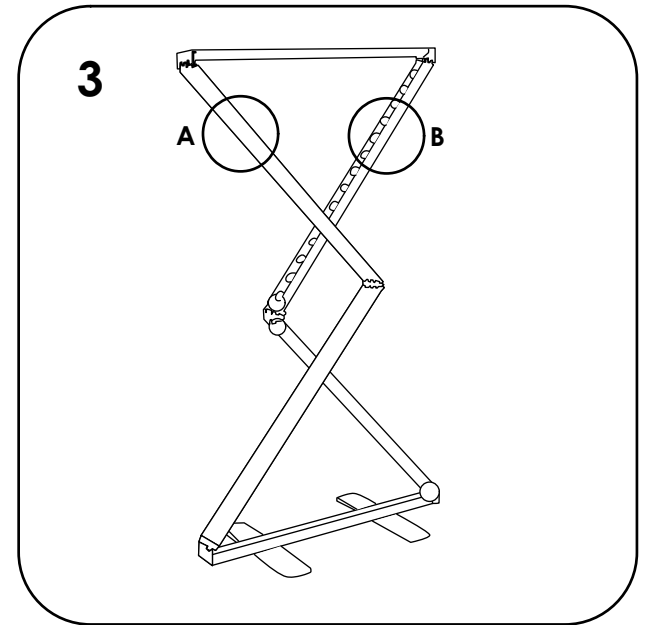
Hardware	Shipping
Assembled unit: 39.4" w x 79.5" h x 15.75" d 1000mm w x 2019mm h x 400mm d Approximate Weight: 19 lbs / 8.6 kg	Packing case(s): 1 Box Shipping dimensions: 43.5" L x 7.25" H x 14" D Approximate shipping weight: 27 lbs / 12.2 kg
Graphics	
Graphic material: Back-lit Textile (dye-sublimated fabric) or Intensity (UV/LED printed)	
Refer to related graphic templates for more information Visit: https://www.theexhibitorshandbook.com/downloads/download-graphic-templates or click here	
additional information:	



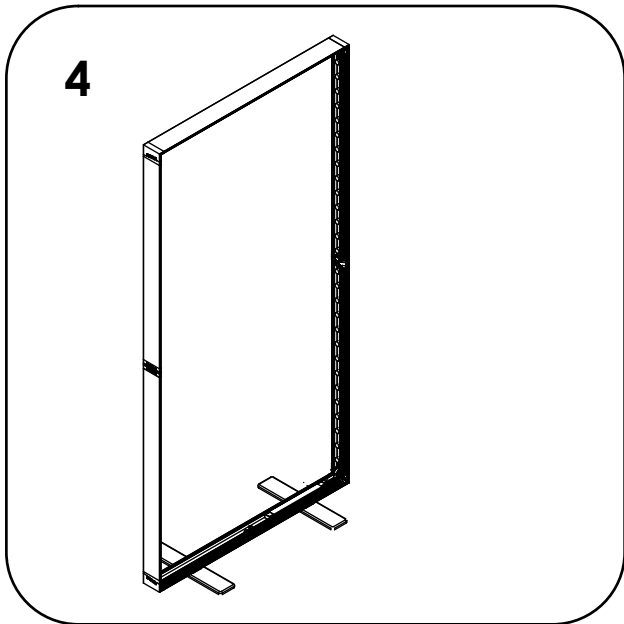
1
Lay frame on floor with the feet down.



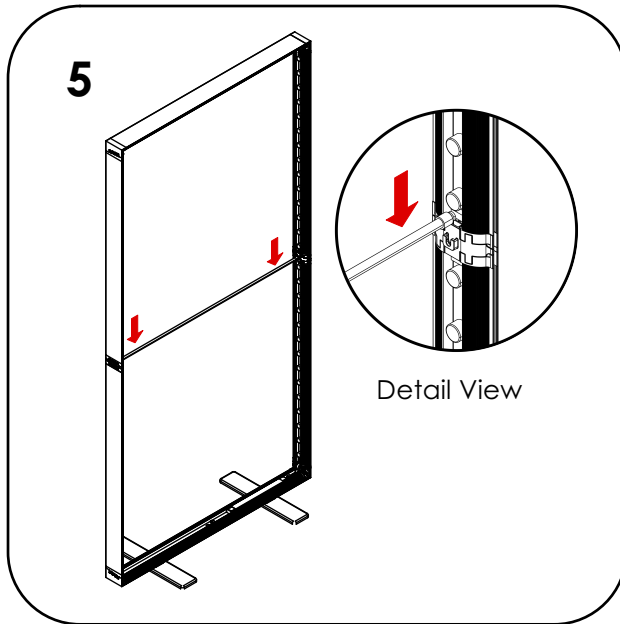
2
Rotate the feet 90 degree



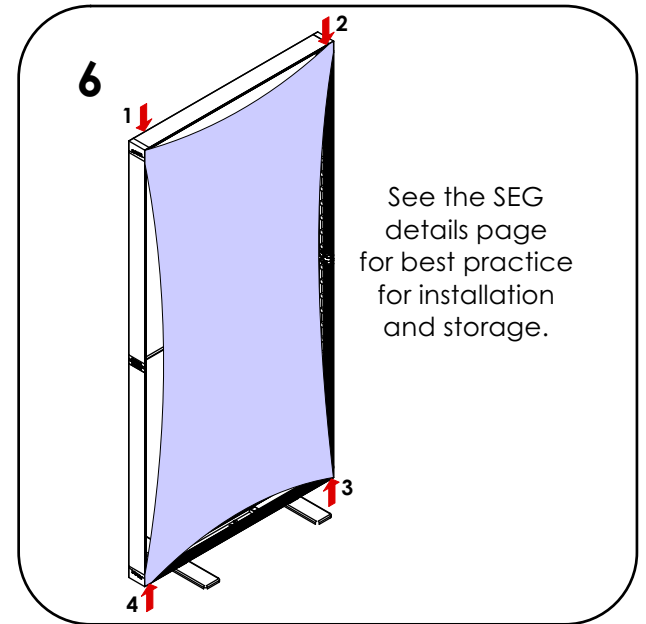
3
Hold frame at A & B and carefully lift to completely expand the frame.



4
Confirm the frame is completely opened and square.



5
Press the horizontal support pole into place as shown.

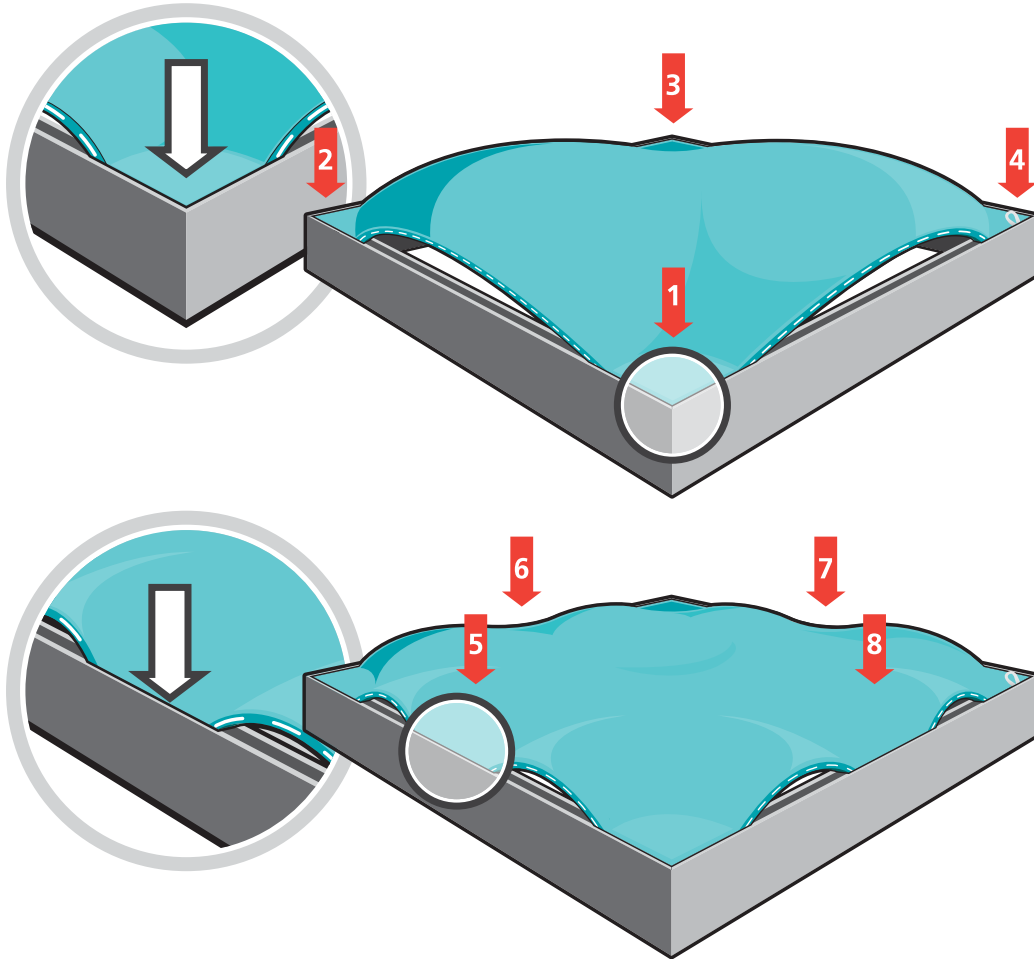


6
Starting at the corners press the SEG graphic into the channel.
See the SEG details page for best practice for installation and storage.

How to Apply & Remove Graphics

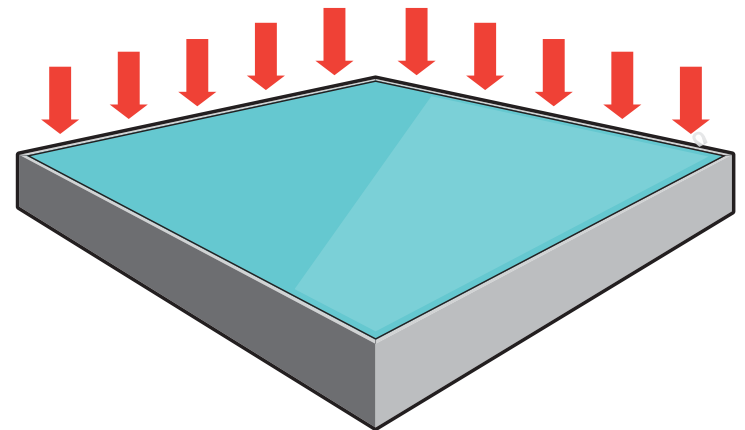
Installation and removal of SEG graphics is easy!

Installation: Push the SEG bead into each corner of the frame (1-4) with your thumb, then push the SEG bead into the middle of the run (5-8) and work your way around the perimeter of the frame until all beading is pushed in properly; if necessary, go around the perimeter again to ensure beading is secure in the extrusion profile.



Note: Keep the set up area clean by using a drop cloth, washing hands before set-up or by wearing gloves.

Removal: Use the pull tab located on the graphic and gently pull the graphic from the frame, going around the perimeter.



Graphics Storage & Care

Graphics should be folded with the graphic facing inward and stored in a zip lock /sealable plastic bag. Spot clean by wiping with a damp white cloth. If washing is necessary, use a commercial size front-loading washing machine, gentle cycle with cool water. Line dry flat. Dry cleaning is NOT recommended to prevent shrinkage.

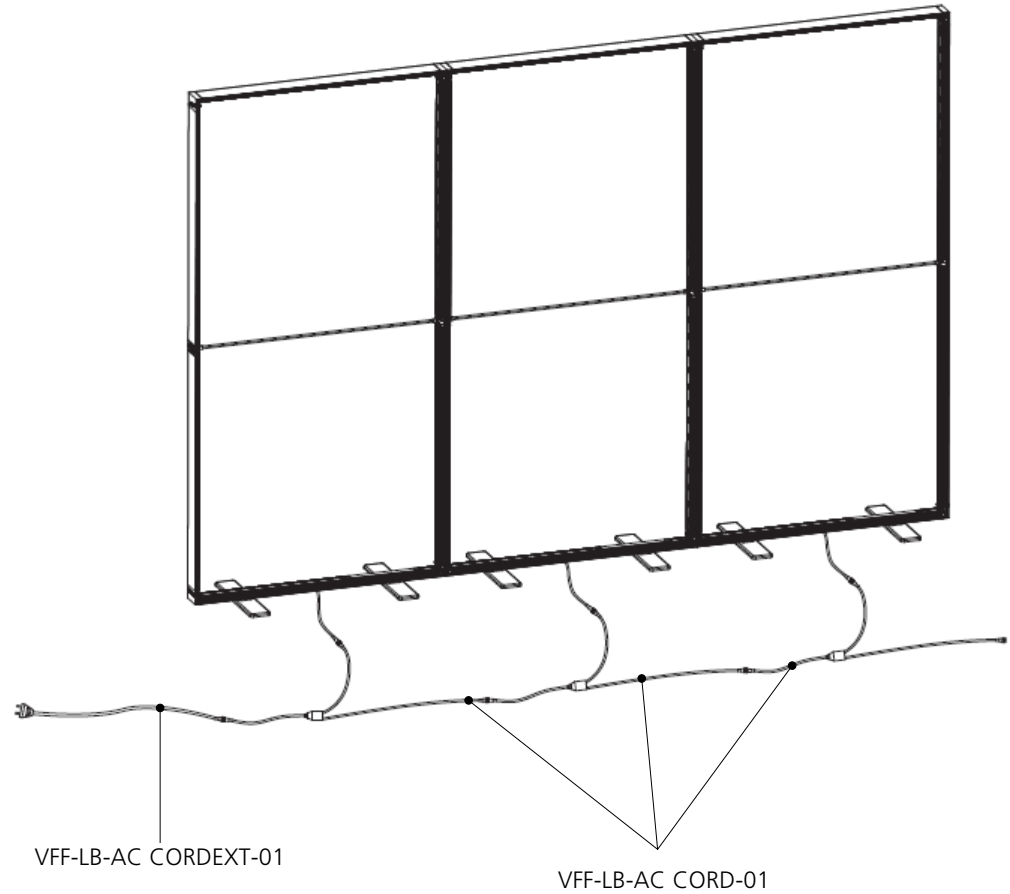
Accessories



VFF-LB-AC CORDEXT-01
(VECTOR FAST FRAME LIGHTBOX,
44" AC power cord)



VFF-LB-AC CORD-01
(LIGHTBOX, 48" AC Cord)



NOTE: A Maximum of 6 Lightboxes can be connected as shown from one power cord.