

CT120

Part Number: 195120 021CT

Hanging Weight Capacity.....75 lbs [34kg]
 Standard RPM..... 2 Clockwise
 Torque Output @ 2 RPM.....32 in-lbs [3.62 Nm]
 Motor Draw.....0.48 mA (58 mW)
 Shipping Weight.....4 lbs [1.8 kg]
 Power Cord.....6ft [2m]

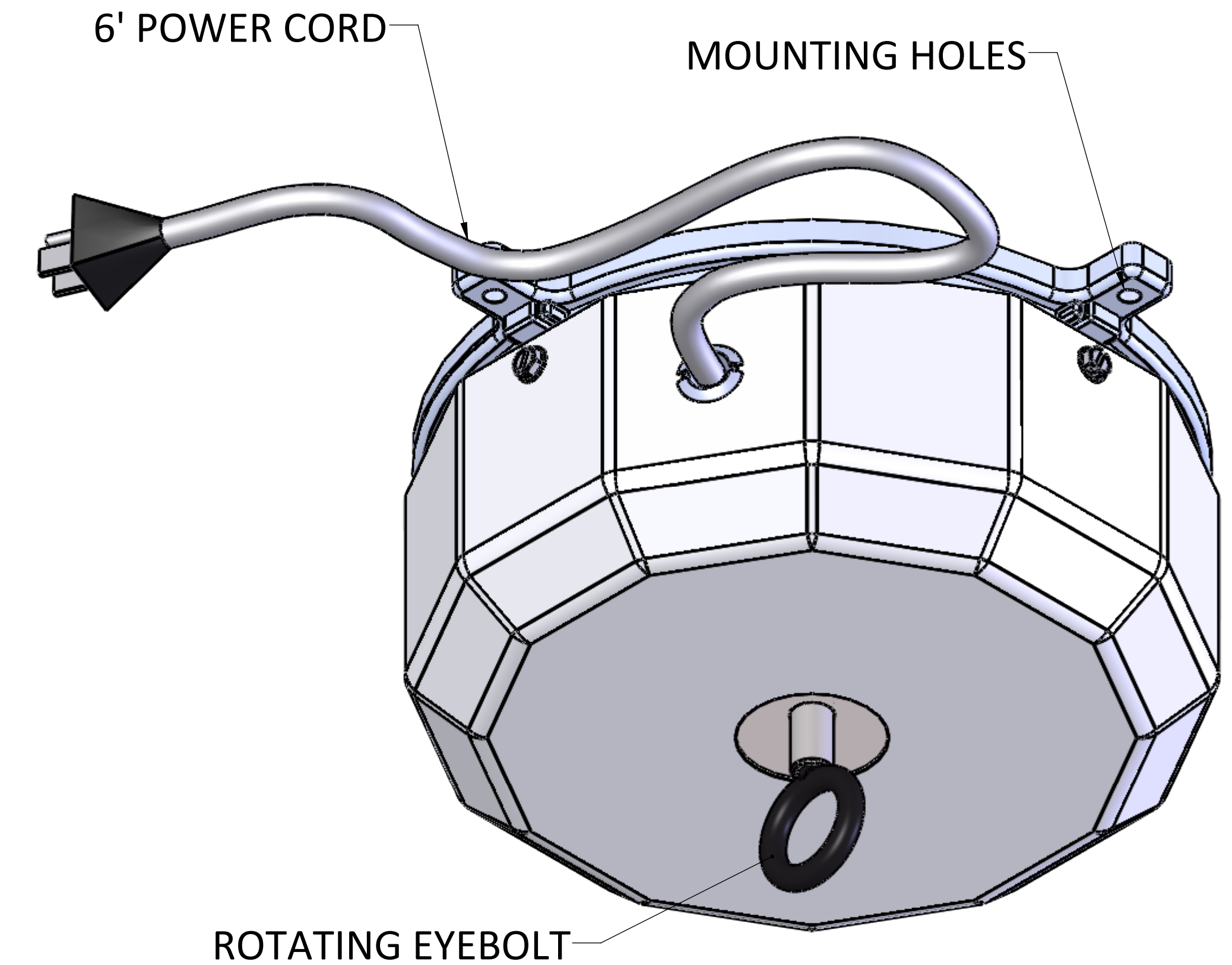
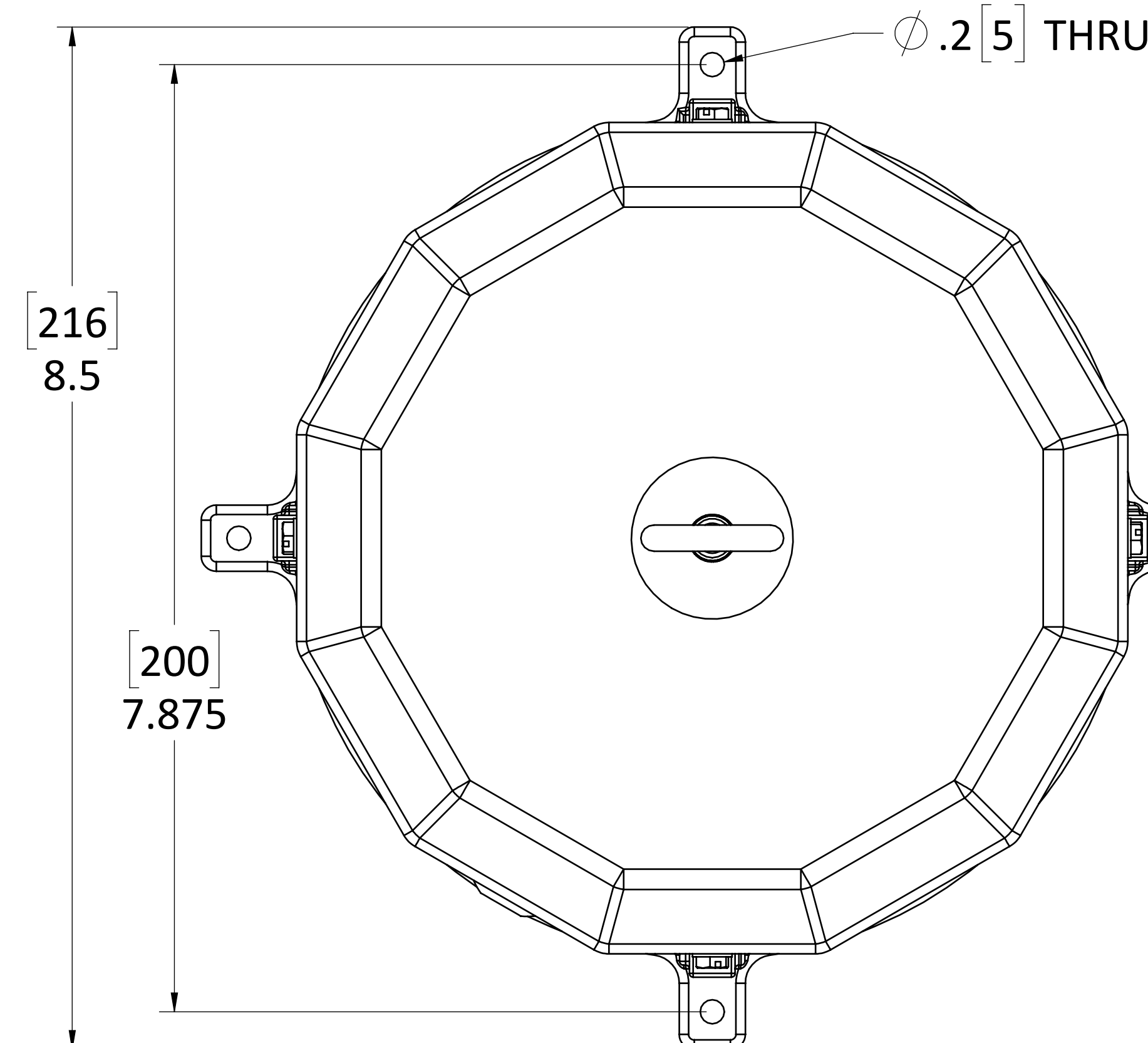
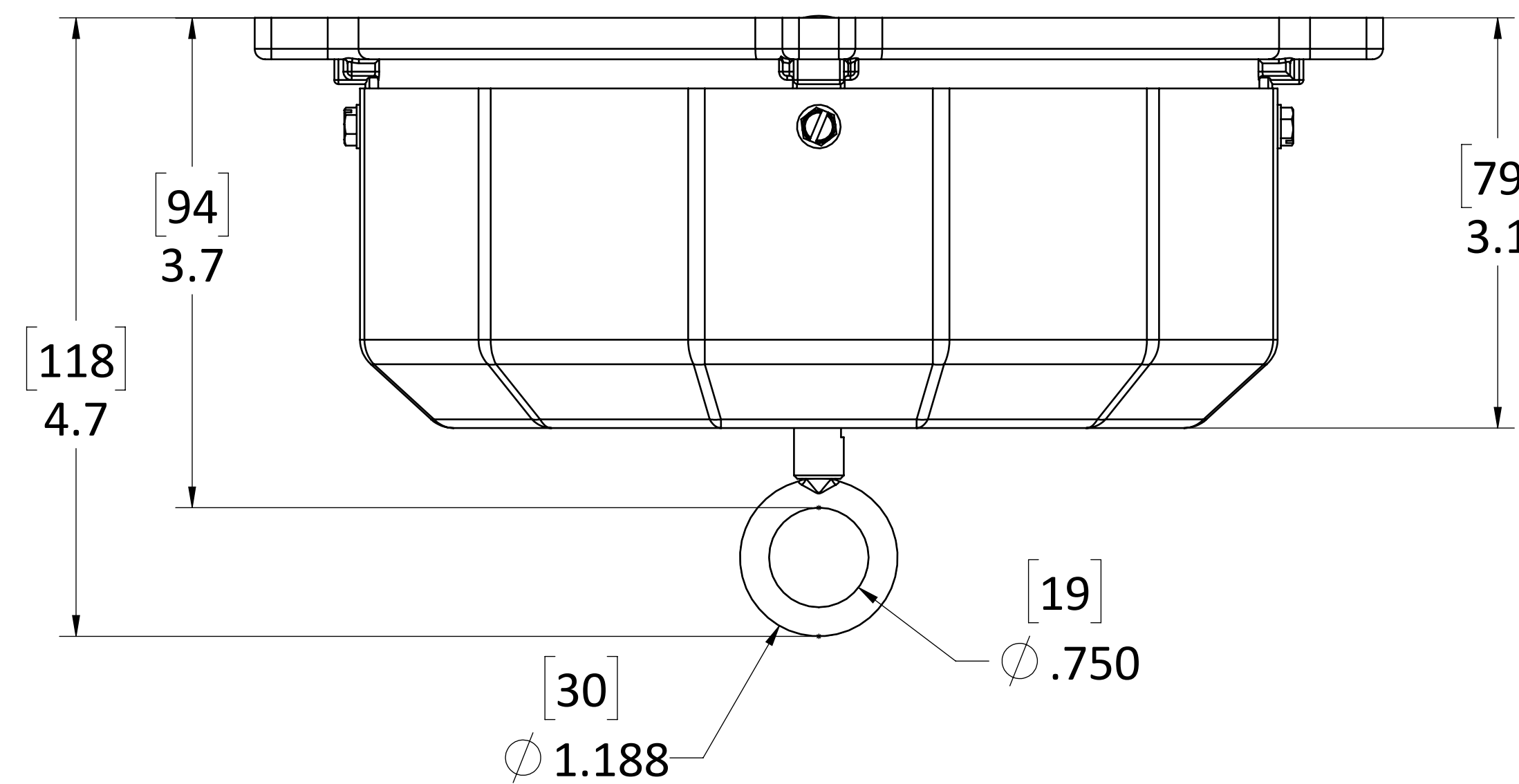
Not Rated For Outdoor Use

PERFORMANCE TIPS

- Keep The Unit Level
- Keep The Weight As Centered As Possible

OPTIONS

- 1 RPM Clockwise
- 2 RPM Counter-Clockwise
- Power Through Mounting Plate (To Eliminate Cord From View)



Vue-More powered by Dynapac Motion
 338 Hansen Ave., Salt Lake City, UT 84115
 Phone: 610-266-9600
 email: info@vuemore.com • www.vuemore.com