



Vue-More
 Turntables
We Put Your Designs in Motion

CT200

Part Number: 195200 021 CT

Hanging Weight Capacity.....200 lbs [91kg]
 Standard RPM..... 1 Clockwise
 Torque Output @ 2 RPM.....304 in-lbs [34.35 Nm]
 Motor Draw.....0.5 A (60 W)
 Shipping Weight.....12 lbs [5.4 kg]
 Power Cord.....6ft [2m]

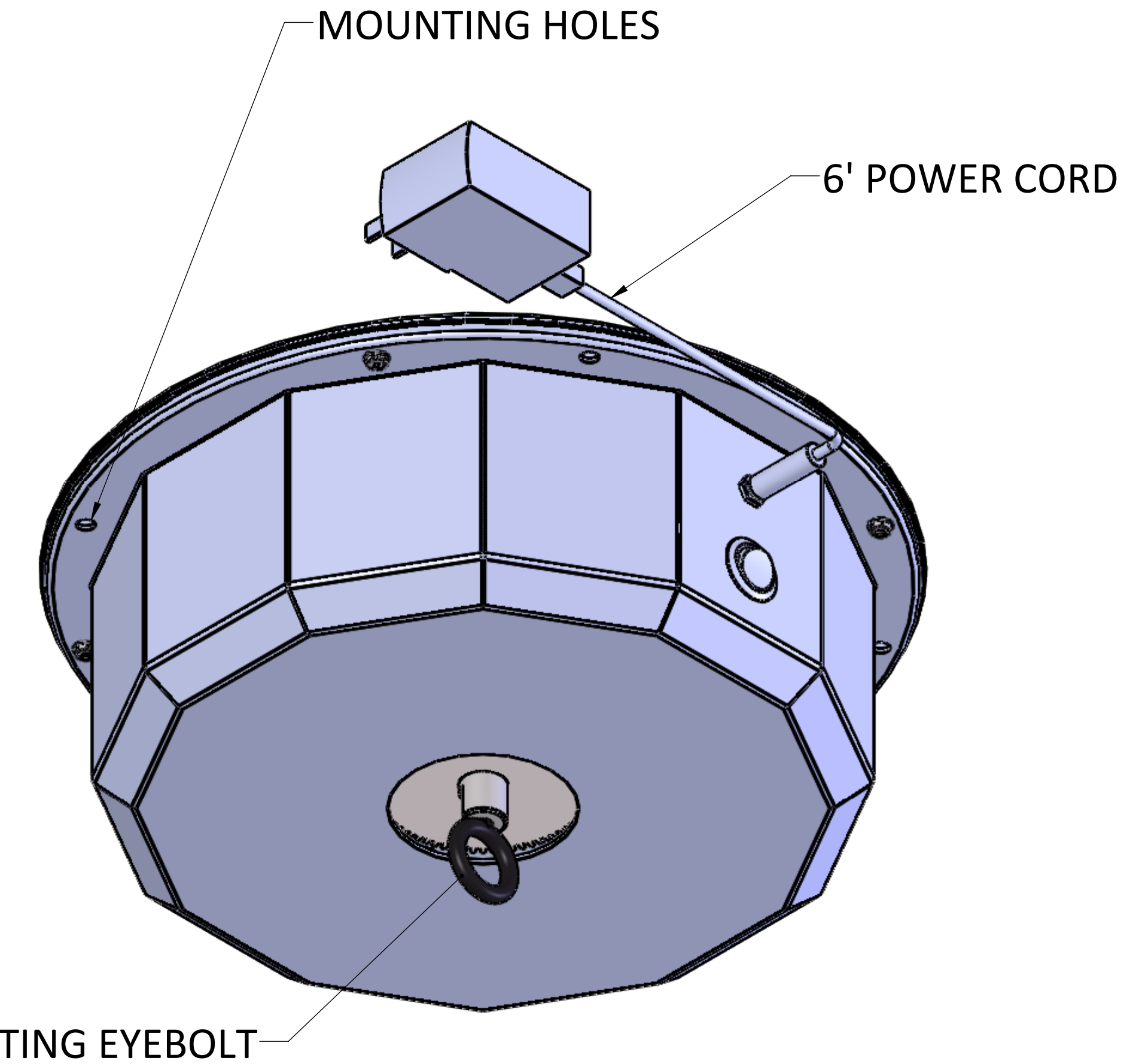
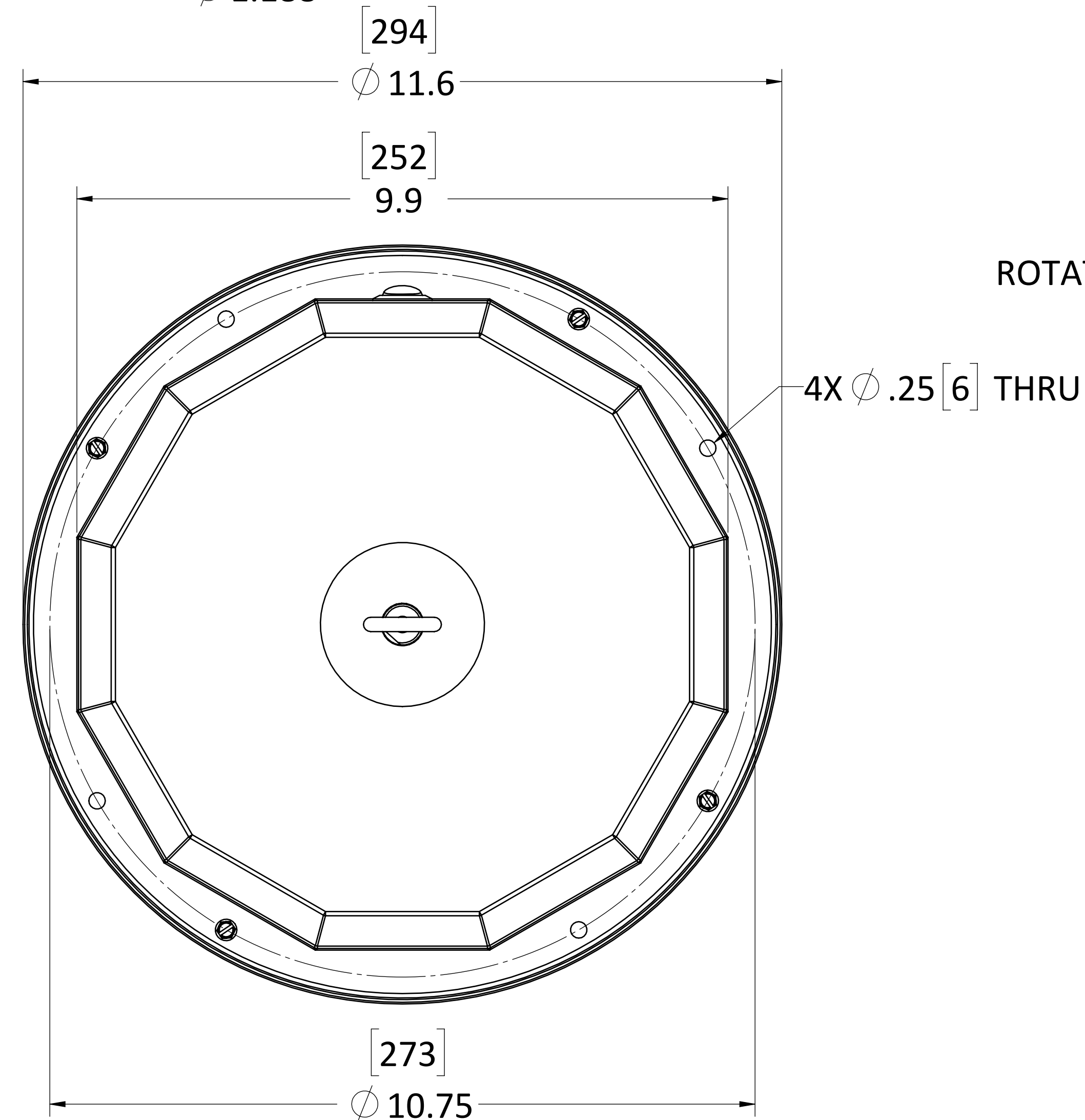
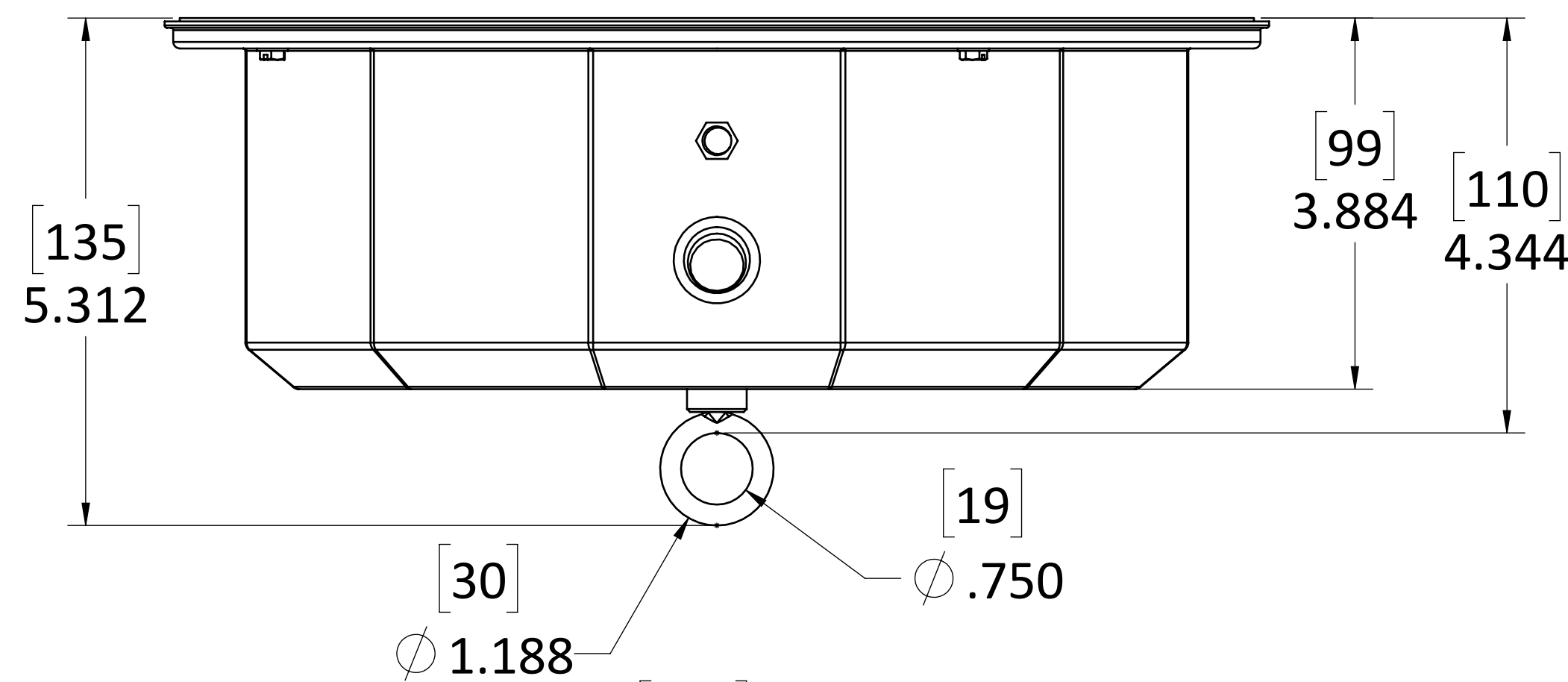
Not Rated For Outdoor Use

PERFORMANCE TIPS

- Keep The Unit Level
- Keep The Weight As Centered As Possible

OPTIONS

- 1.3, 2, 2.6 RPM Clockwise
- 1, 1.3, 2, 2.6 RPM Counter-Clockwise
- Directional Control Switch



Vue-More powered by Dynapac Motion
 338 Hansen Ave., Salt Lake City, UT 84115
 Phone: 610-266-9600
 email: info@vuemore.com • www.vuemore.com