



HD 301

Part Number: 170005 011 2M HD301

Weight Capacity.....2000 lbs [907 kg]
 Standard RPM.....1 (Direction Control Switch Provided)
 Torque Output @ 1 RPM.....120 ft-lbs [162 Nm]
 Motor Draw.....0.92 A (100 W)
 Shipping Weight.....280 lbs [127 kg]
 Power Cord.....8ft [2.4m]
 Rotating Electrical Outlet Capacity.....15A [1.8kW]

Not Rated For Outdoor Use

PERFORMANCE TIPS

- Keep The Unit Level
- Keep The Weight As Centered As Possible

FINISH

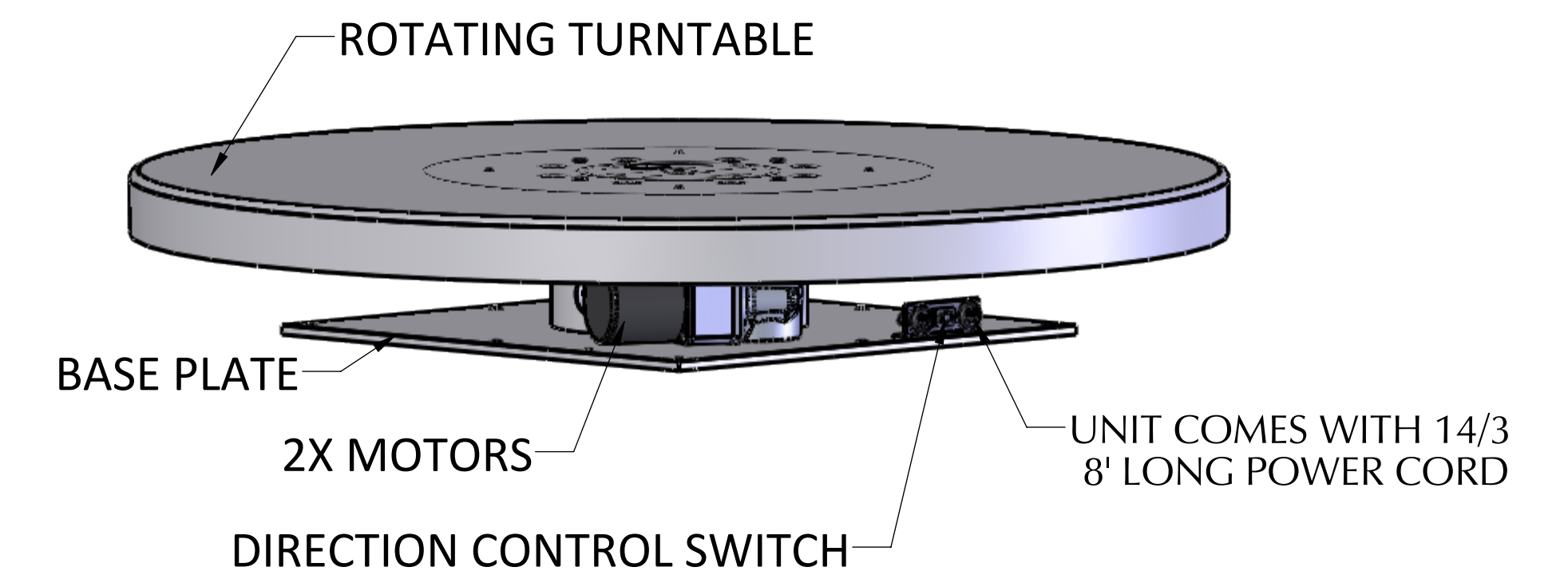
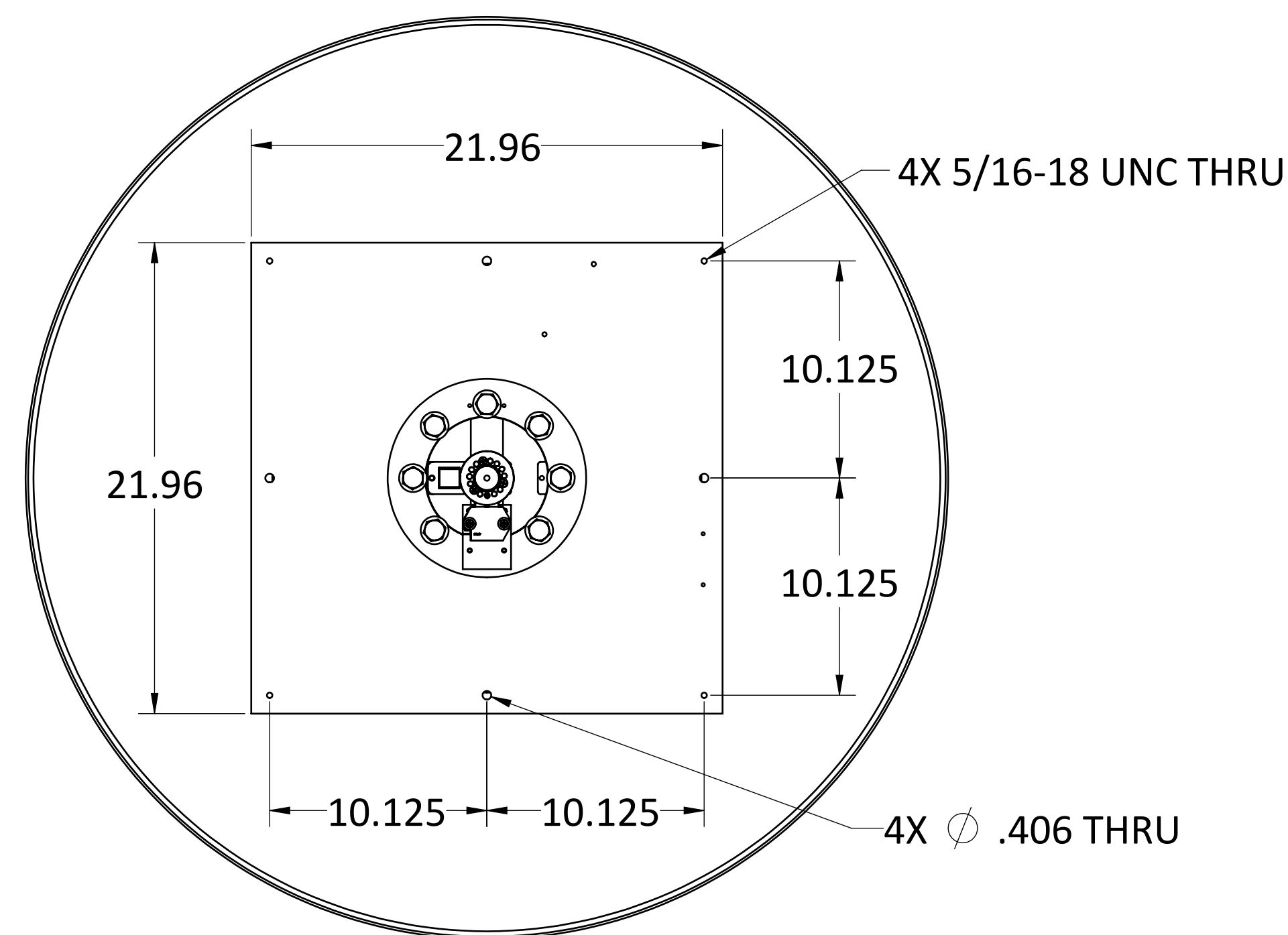
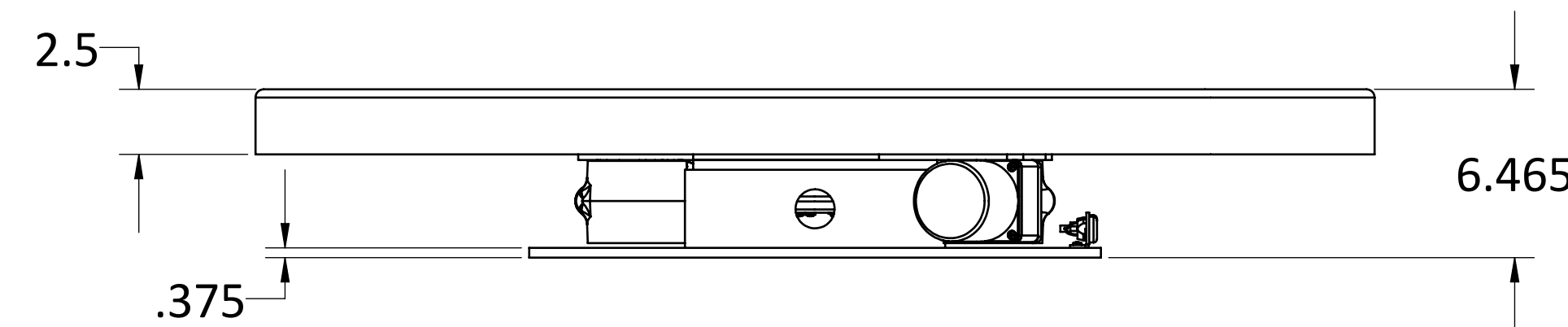
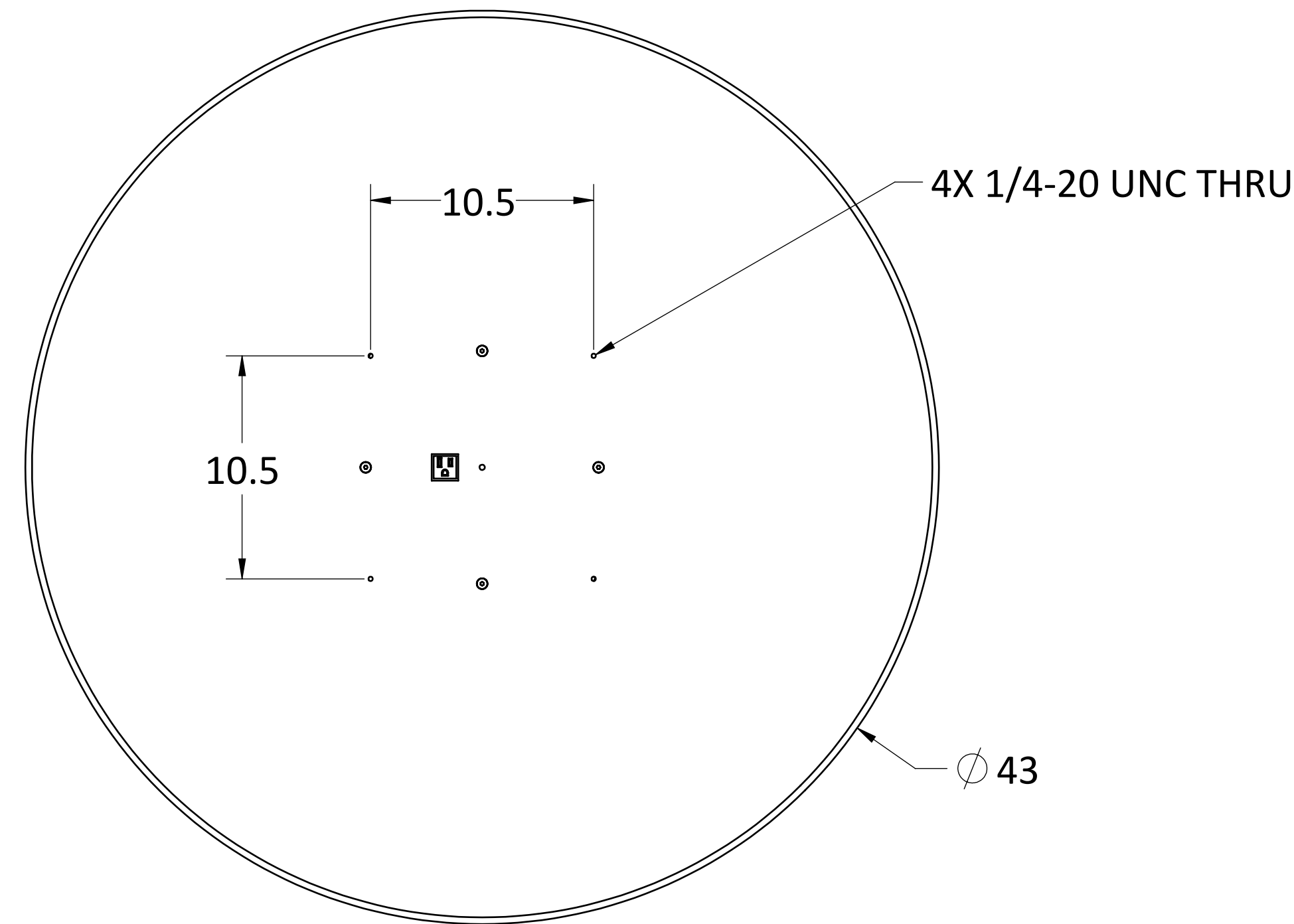
- Top = Powdercoat RAL 7040 Gray
- Base = RAL 7040 Gray Enamel

ELECTRICAL

- Motor = 110VAC, 60Hz, 0.46A
- Wire = 14GA Grounded Cord, 8' Long

OTHER

- Hardened Steel Gears
- Slewing Ring Bearing
- 11GA Steel Turntable Top
- 3/8" Steel Base And Support Plate



Vue-More powered by Dynapac Motion
 338 Hansen Ave., Salt Lake City, UT 84115
 Phone: 610-266-9600
 email: info@vuemore.com • www.vuemore.com