



**Vue-More**  
 Turntables  
*We Put Your Designs in Motion*

# MB200

Part Number: 195200 021 MB

Weight Capacity.....200 lbs [91kg]  
 Standard RPM..... 2 Clockwise  
 Torque Output @ 2 RPM.....228 in-lbs [25.76 Nm]  
 Motor Draw.....0.5 A (60 W)  
 Shipping Weight.....12 lbs [5.4 kg]  
 Power Cord.....6ft [2m]

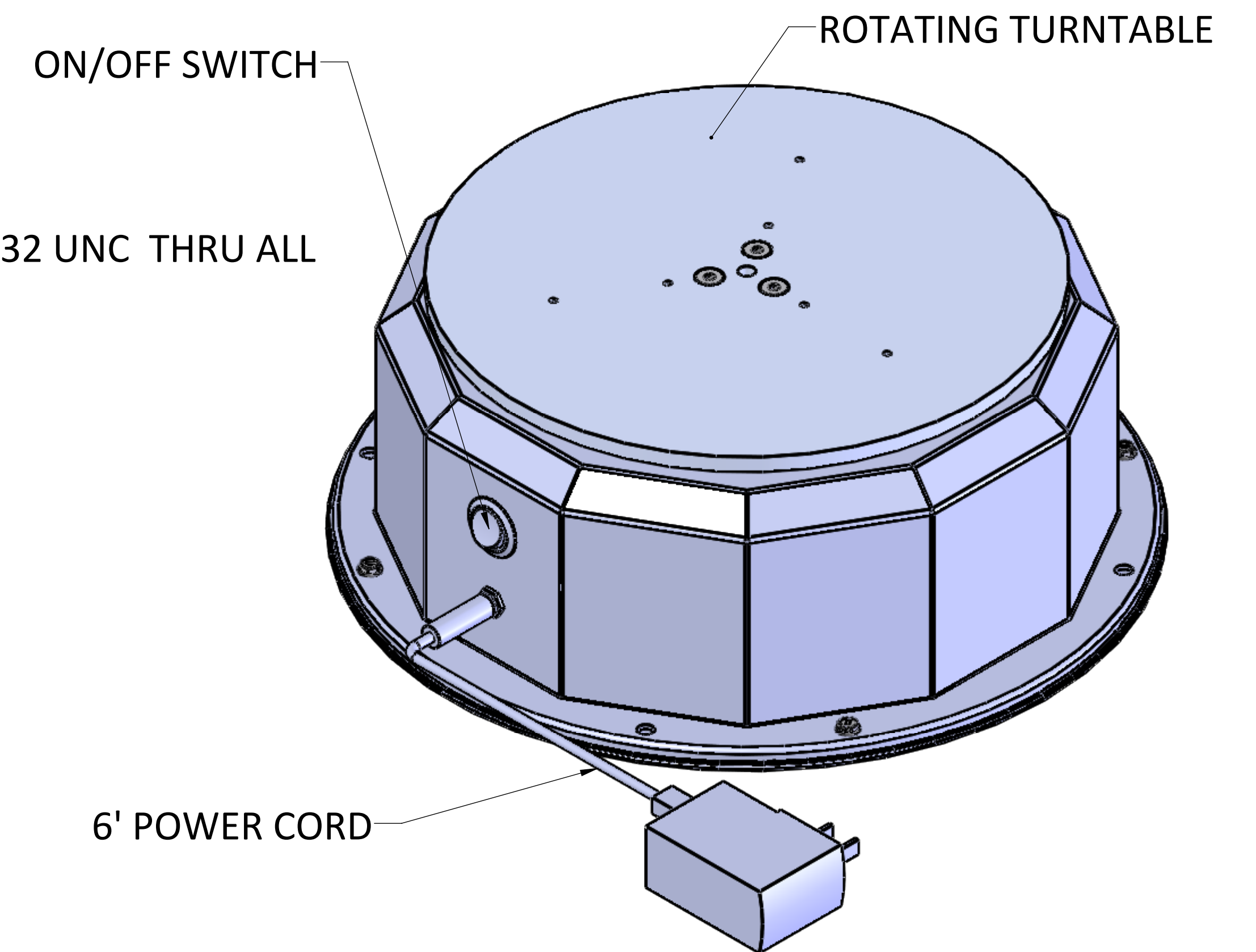
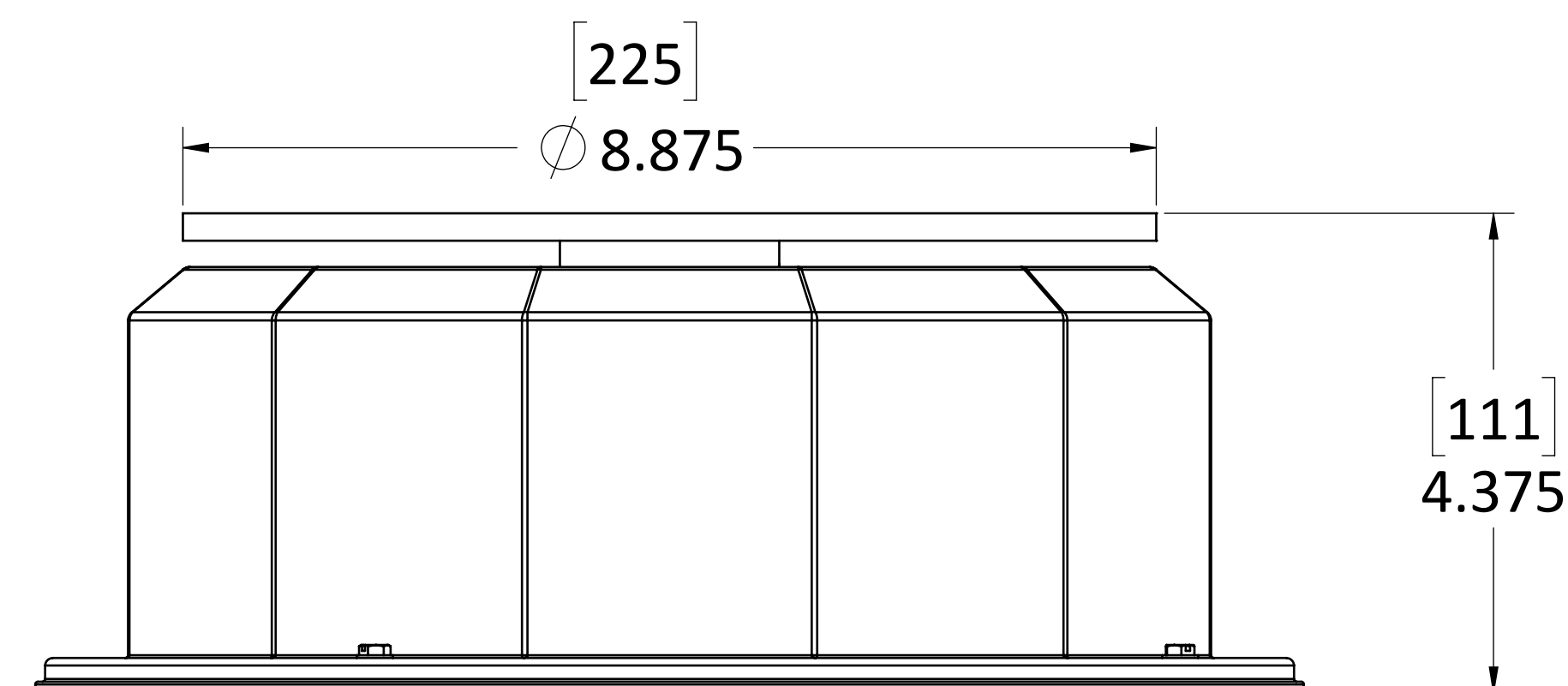
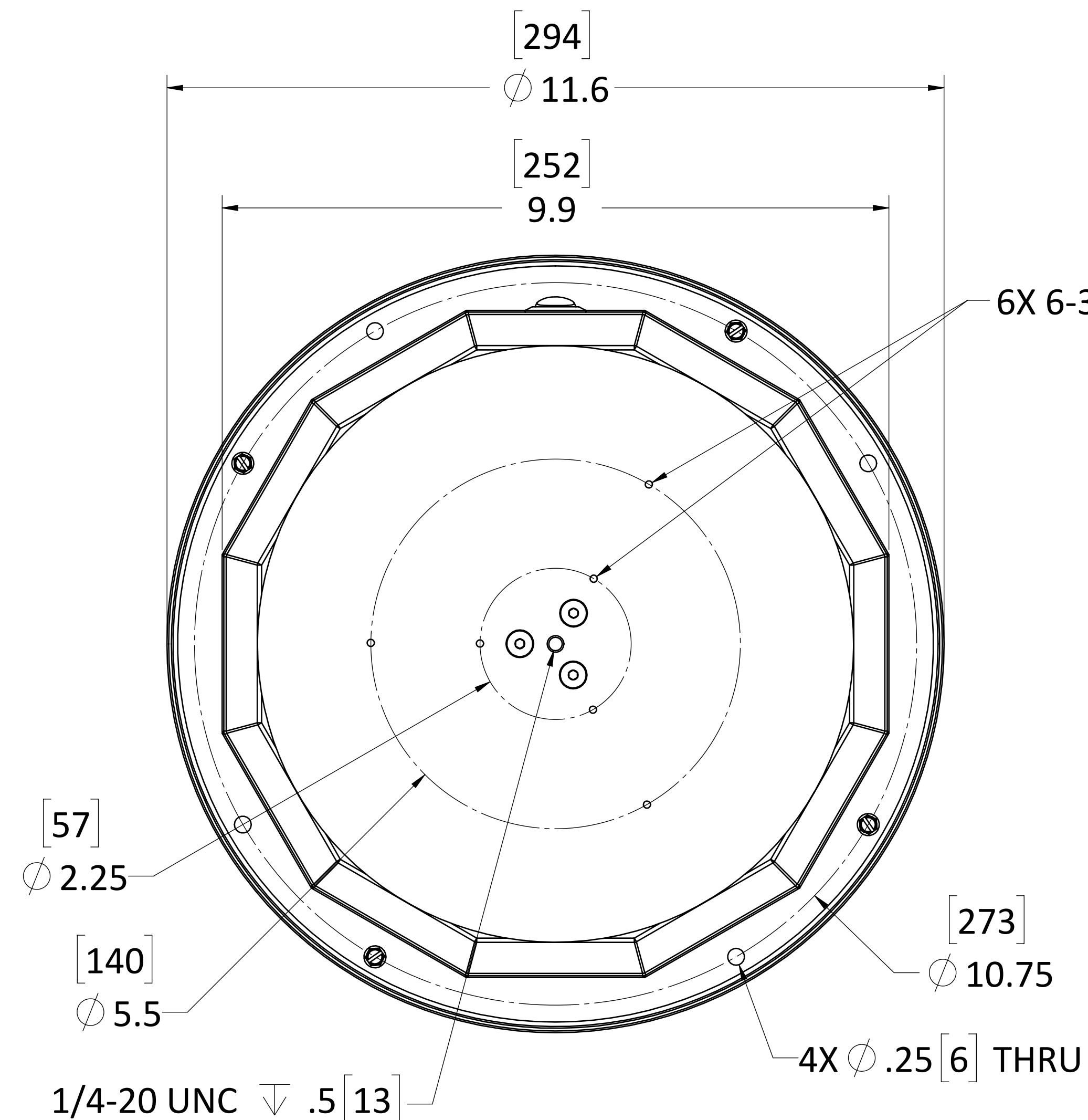
Not Rated For Outdoor Use

**PERFORMANCE TIPS**

- Keep The Unit Level
- Keep The Weight As Centered As Possible

**OPTIONS**

- 1.0, 1.3, 2.6 RPM Clockwise
- 1.0, 1.3, 2.0, 2.6 RPM Counter-Clockwise
- Masonite Top Plate Diameter.....12"/17" [30.5cm, 43cm]
- Steel Top Plate Diameter.....12"/17"/23" [30.5cm, 43cm, 58.4cm]



Vue-More powered by Dynapac Motion  
 338 Hansen Ave., Salt Lake City, UT 84115  
 Phone: 610-266-9600  
 email: info@vuemore.com • www.vuemore.com