



Vue-More
 Turntables
We Put Your Designs in Motion

WM 110

Part Number: 195110 021WM

Weight Capacity.....20 lbs [9.1 kg]
 Standard RPM.....2 Clockwise
 Torque Output @ 2 RPM.....1 in-lbs [0.11 Nm]
 Motor Draw.....0.70 mA (84 mW)
 Shipping Weight.....4 lbs [1.8 kg]
 Power Cord.....6ft [2m]

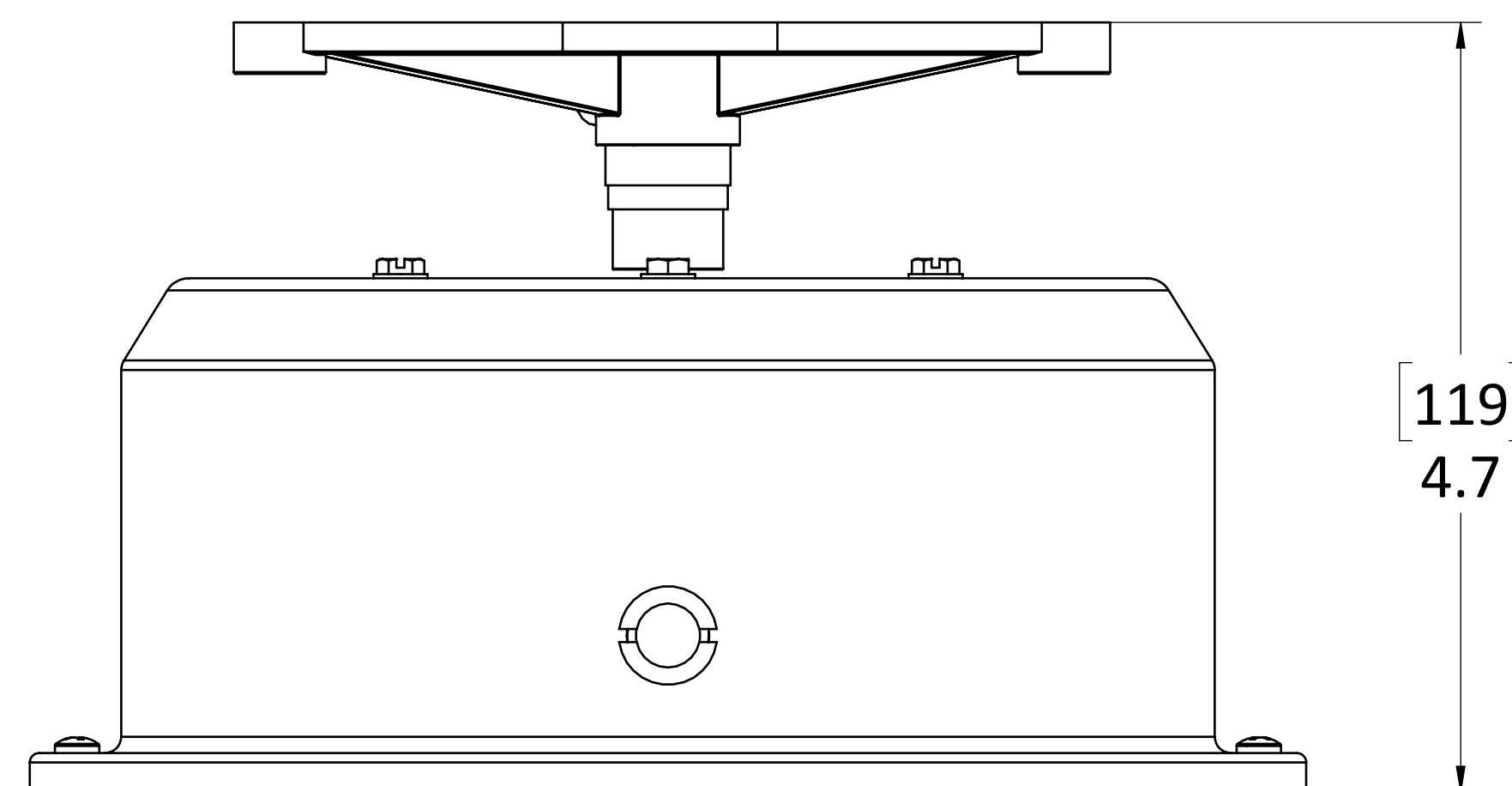
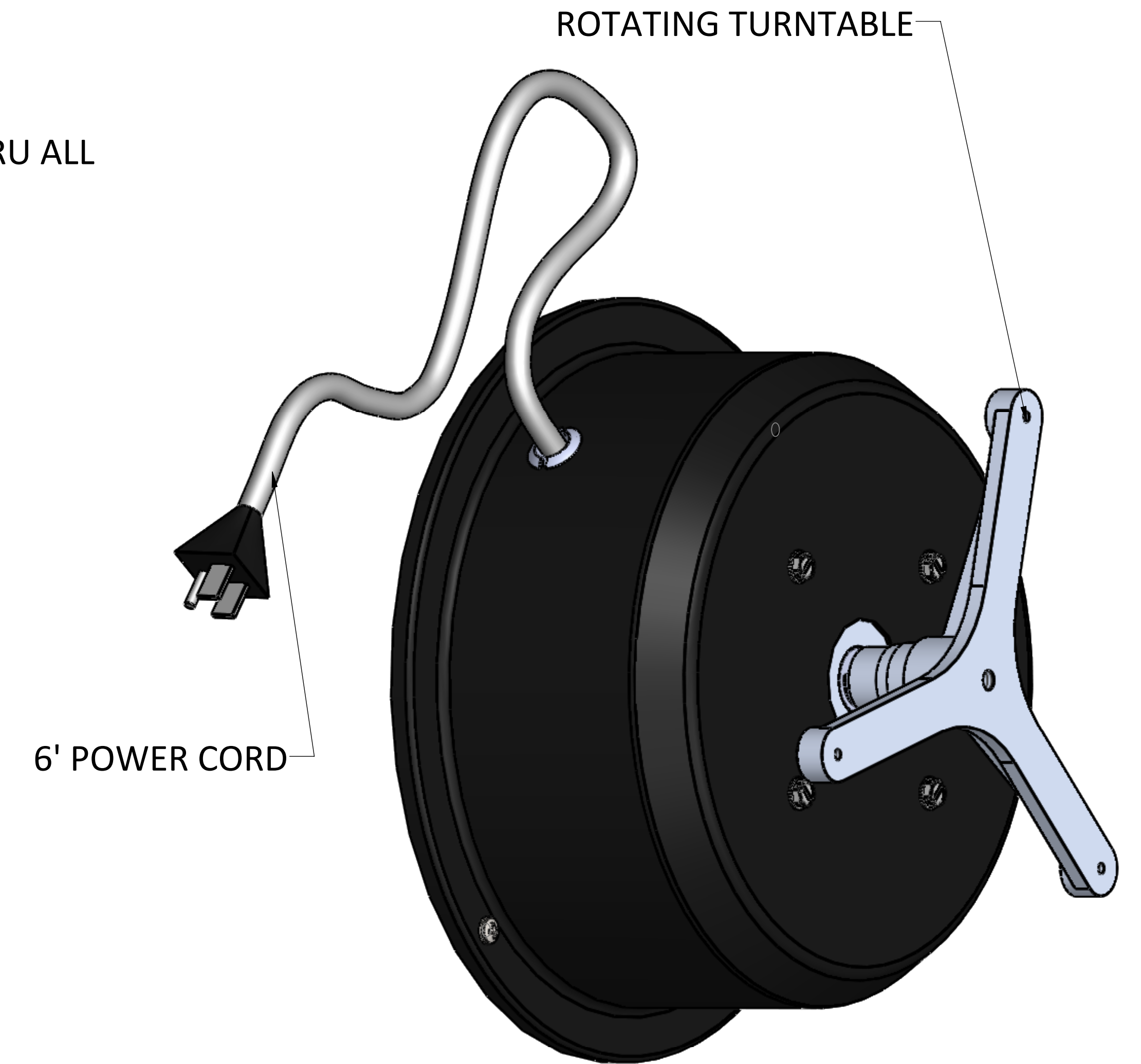
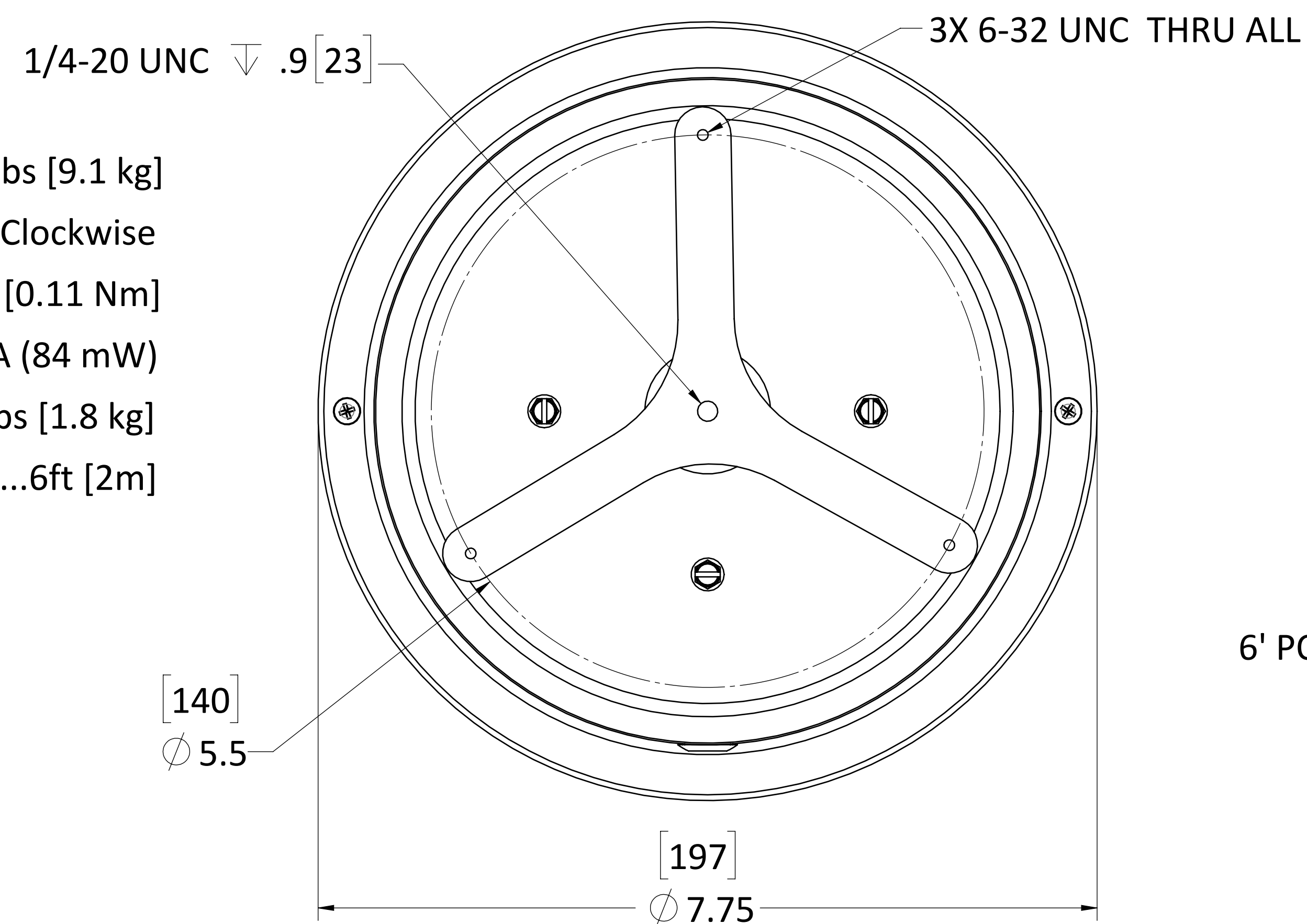
Not Rated For Outdoor Use

PERFORMANCE TIPS

- Keep The Unit Level
- Keep The Weight As Centered As Possible
- Best Used With Symmetrical Load

OPTIONS

- 1 RPM Clockwise
- 2 RPM Counter-Clockwise
- Masonite Top Plate Diameter.....8"/12"/17" [20cm, 30.5cm, 43cm]
- Steel Top Plate Diameter.....12"/17" [30.5cm, 43cm]



Vue-More powered by Dynapac Motion
 338 Hansen Ave., Salt Lake City, UT 84115
 Phone: 610-266-9600
 email: info@vuemore.com • www.vuemore.com