



**Vue-More**  
 Turntables  
*We Put Your Designs in Motion*

# WM120

Part Number: 195120 021WM

Weight Capacity.....40 lbs [18kg]  
 Standard RPM..... 2 Clockwise  
 Torque Output @ 2 RPM.....32 in-lbs [3.62 Nm]  
 Motor Draw..... 0.48 mA (58 mW)  
 Shipping Weight.....4 lbs [1.8 kg]  
 Power Cord.....6ft [2m]

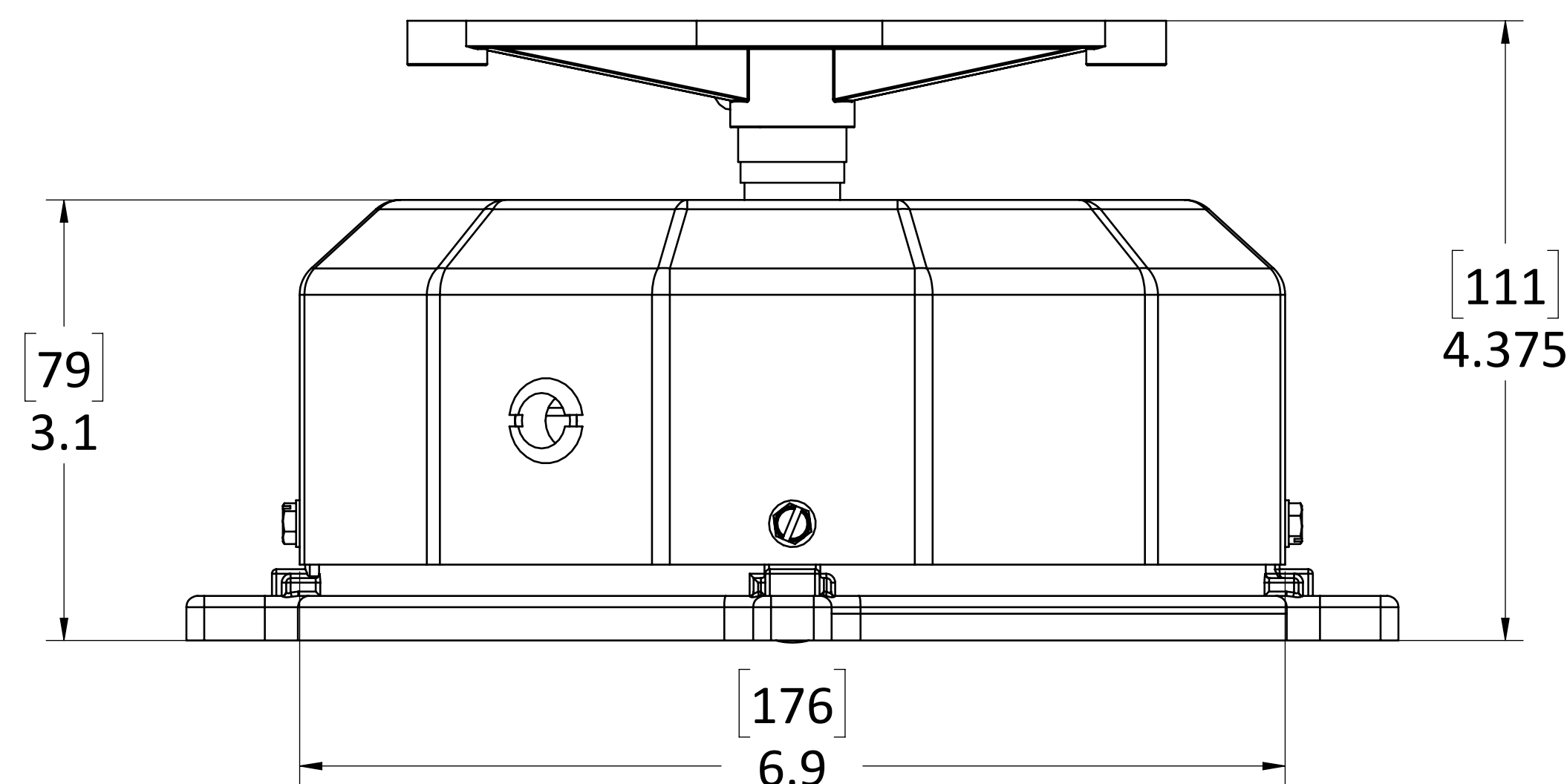
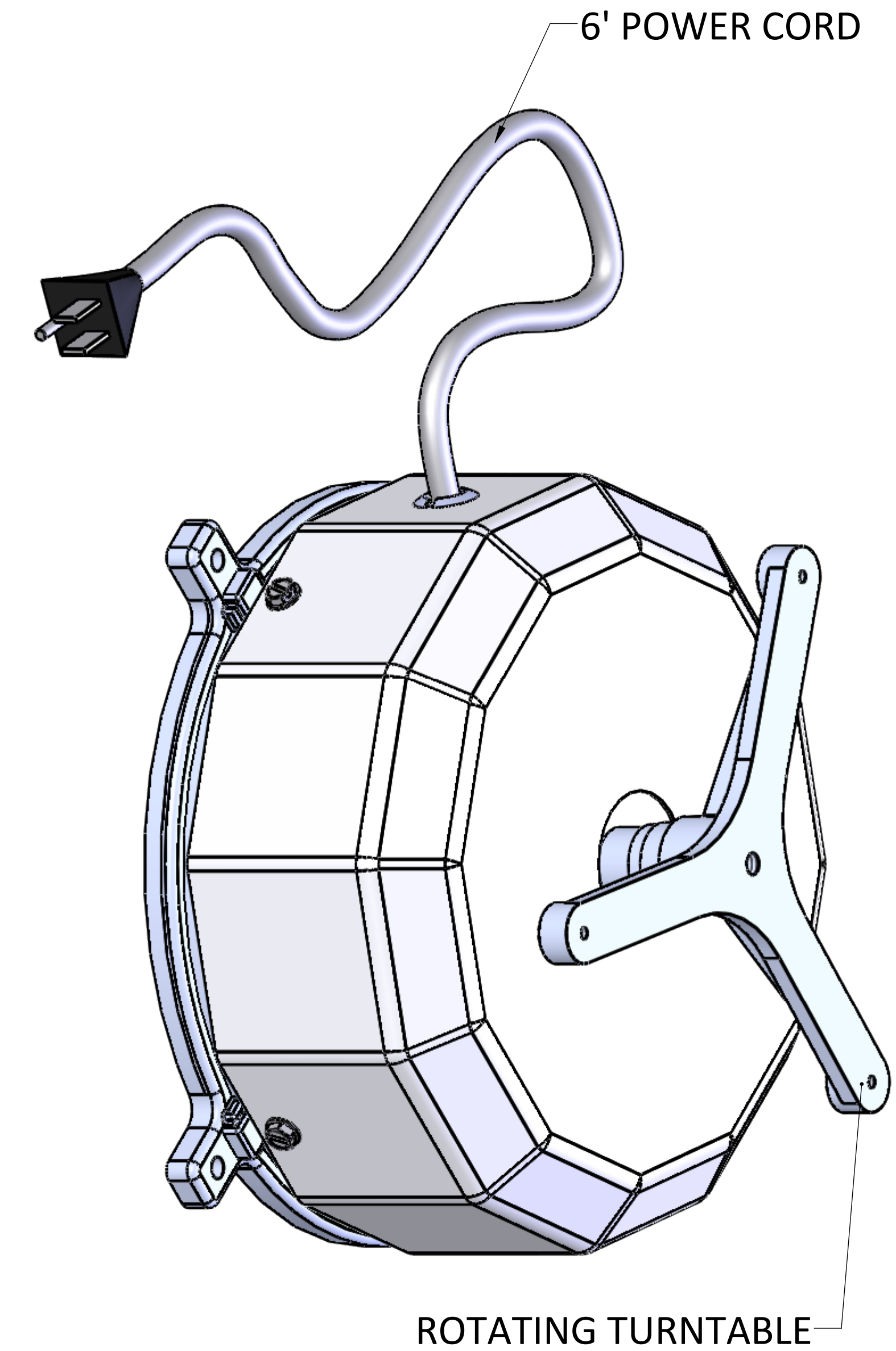
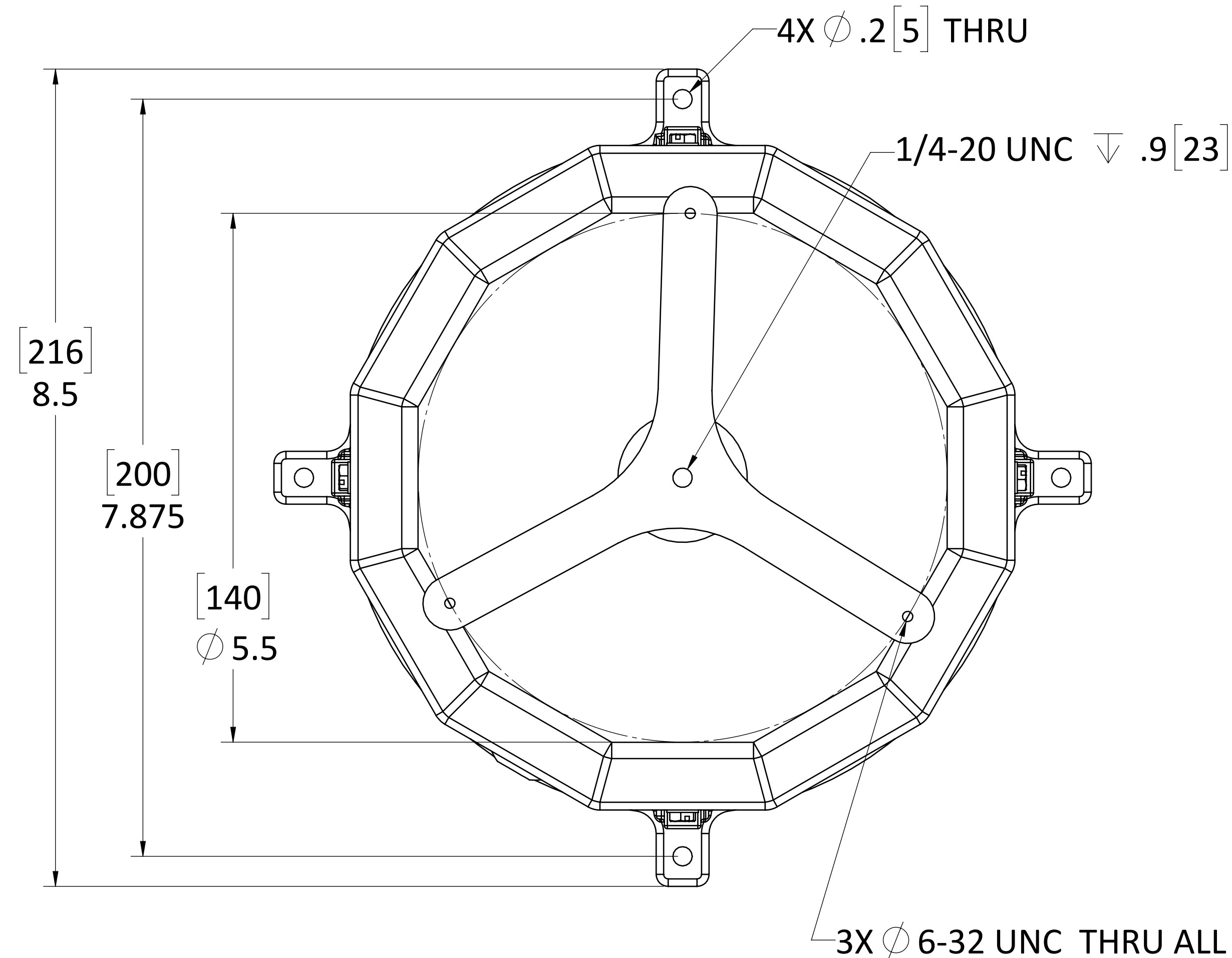
Not Rated For Outdoor Use

**PERFORMANCE TIPS**

- Keep The Unit Level
- Keep The Weight As Centered As Possible
- Best Used With Symmetrical Load

**OPTIONS**

- 1 RPM Clockwise
- 2 RPM Counter-Clockwise
- Masonite Top Plate Diameter.....8"/12"/17" [20cm, 30.5cm, 43cm]
- Steel Top Plate Diameter.....12"/17" [30.5cm, 43cm]



Vue-More powered by Dynapac Motion  
 338 Hansen Ave., Salt Lake City, UT 84115  
 Phone: 610-266-9600  
 email: info@vuemore.com • www.vuemore.com