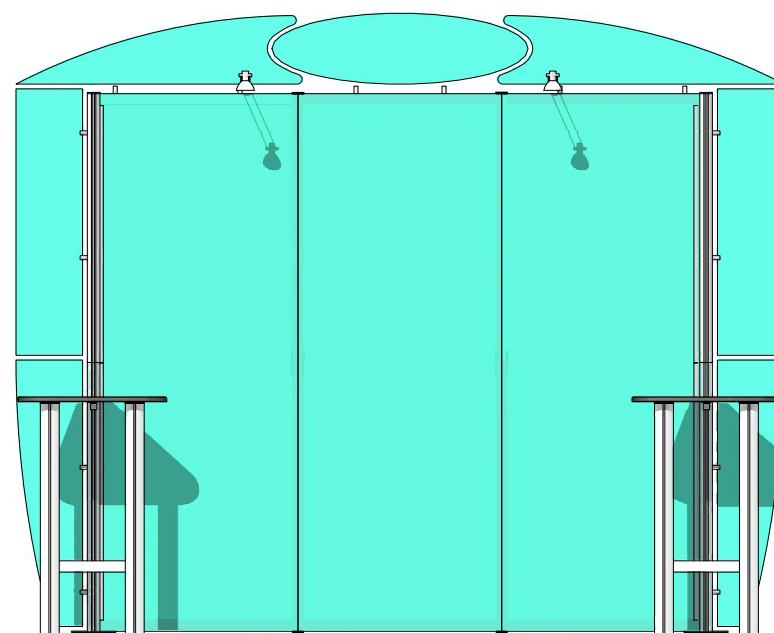
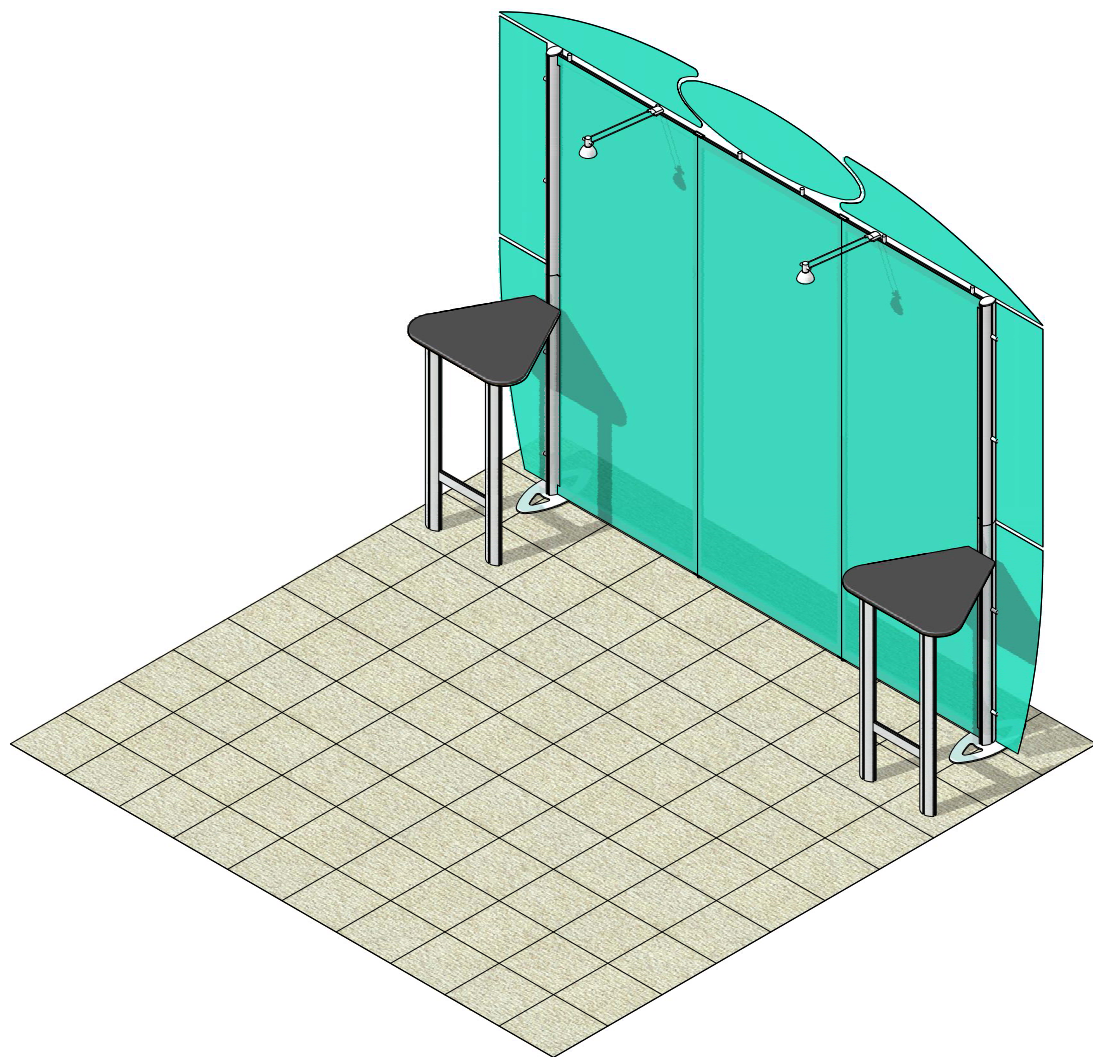
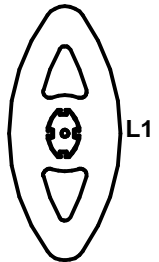
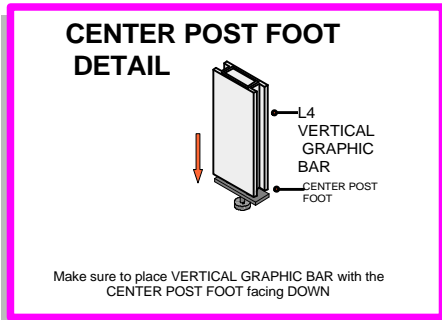
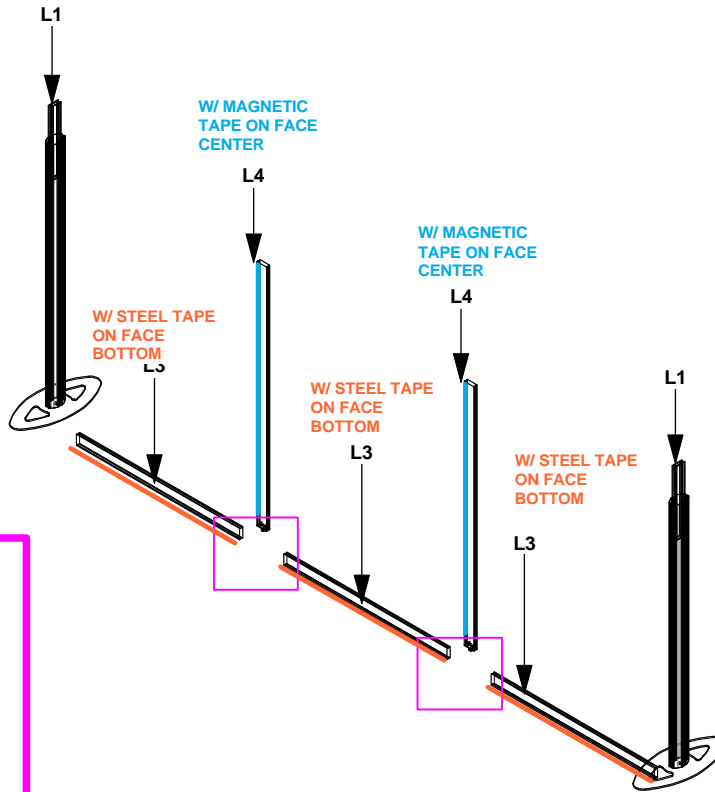
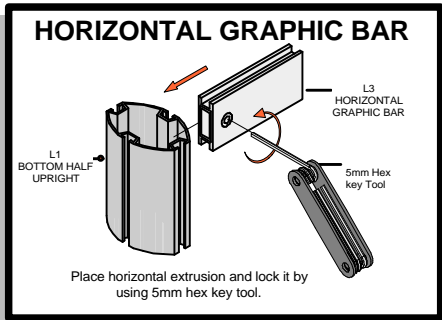
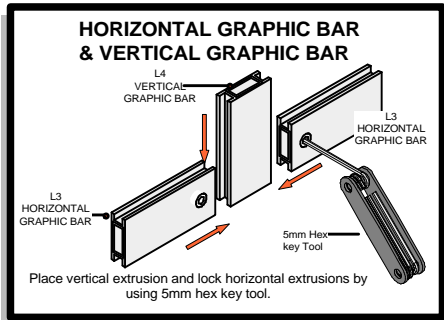


# LINEAR 03



Code	#	Description
L3	3	HORIZONTAL GRAPHIC BAR
L4	2	VERTICAL GRAPHIC BAR WITH CENTER FOOT POST
L1	2	BOTTOM HALF UPRIGHT



L1



L2



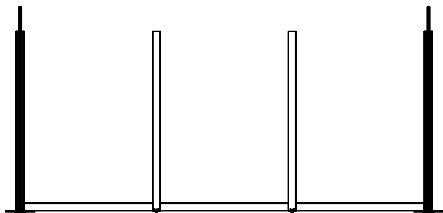
L9



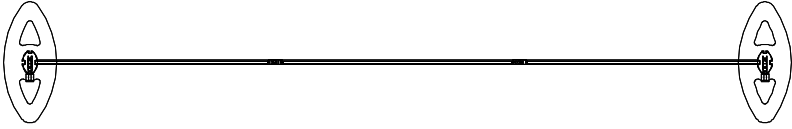
L3 / L4

L4-1

LINEAR



Code	#	Description
CORNER LOCK	2	CORNER LOCK
JOINER BAR	4	JOINER BAR



**CORNER LOCK DETAIL**

CORNER LOCK

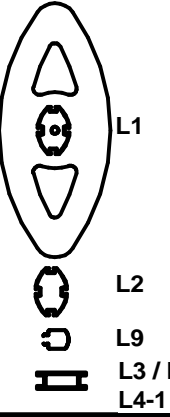
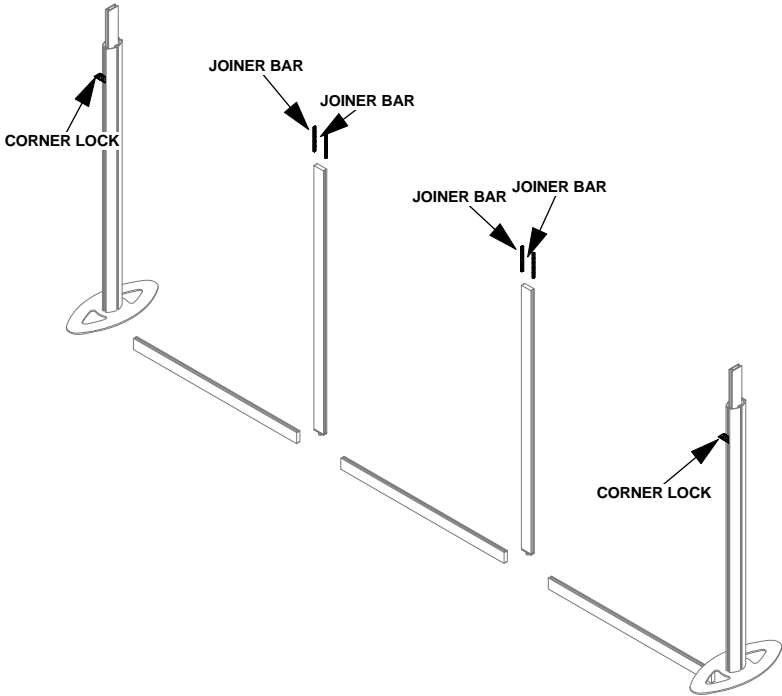
Slide CORNER LOCK into front channel.

**JOINER BAR DETAIL**

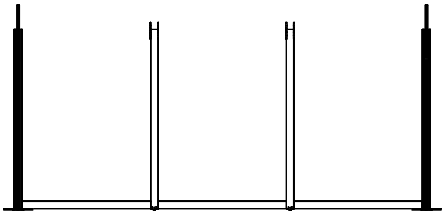
SET SCREW

VERTICAL GRAPHIC BAR

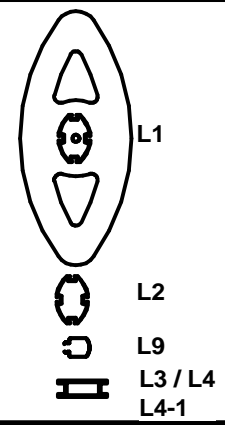
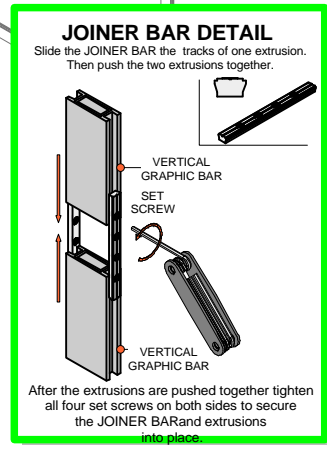
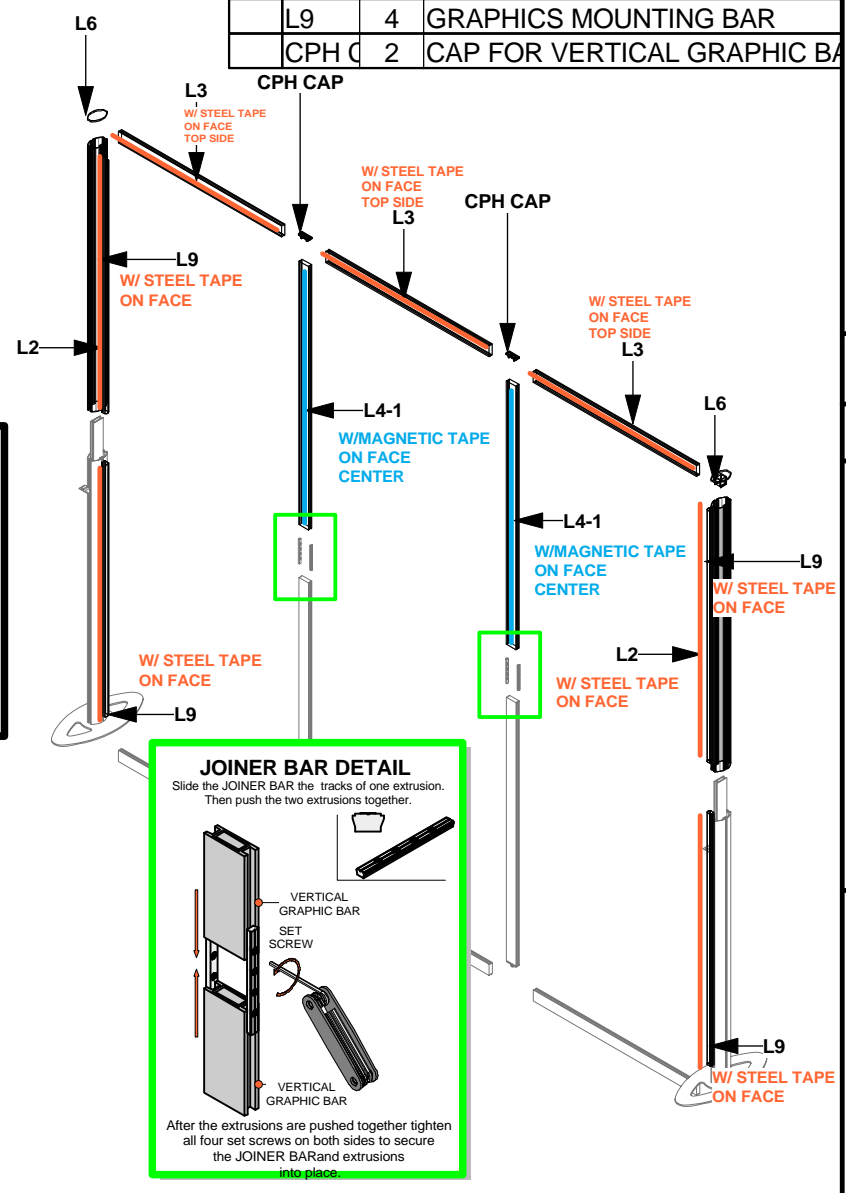
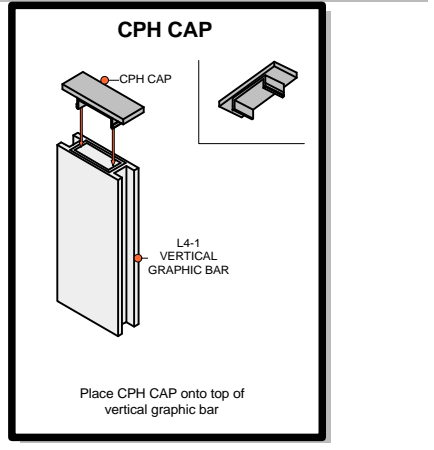
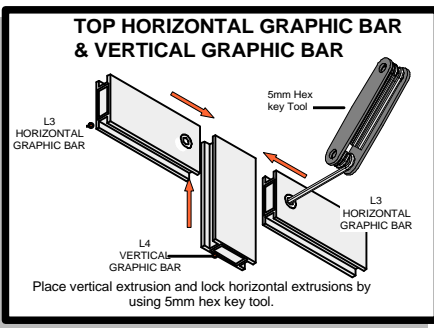
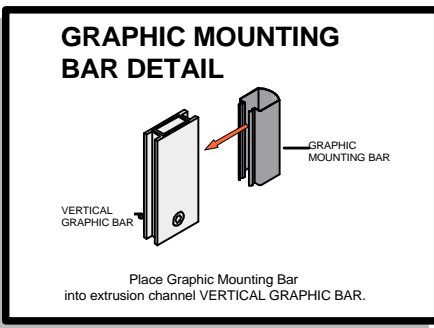
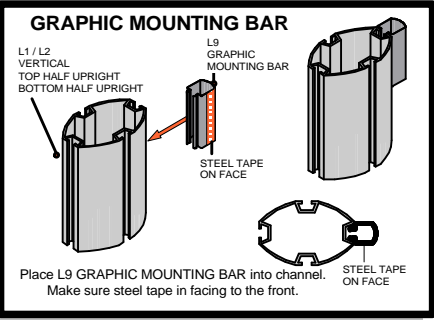
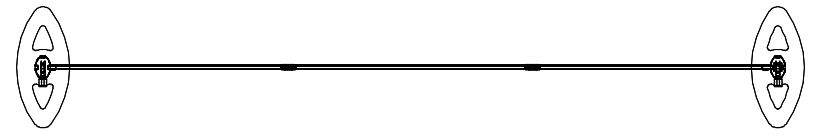
Slide the JOINER BAR the tracks of one extrusion. Then push the two extrusions together.



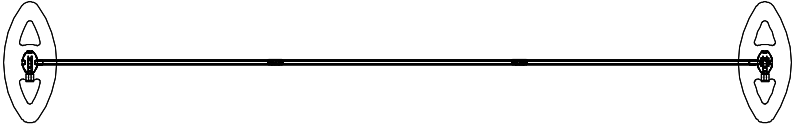
**LINEAR**



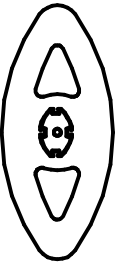
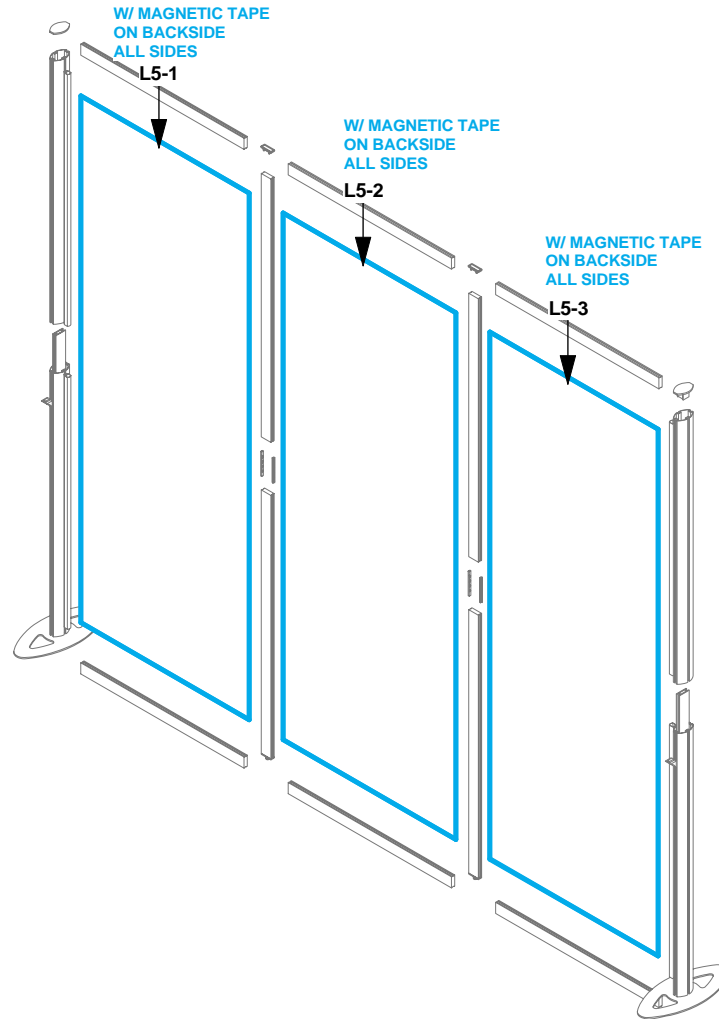
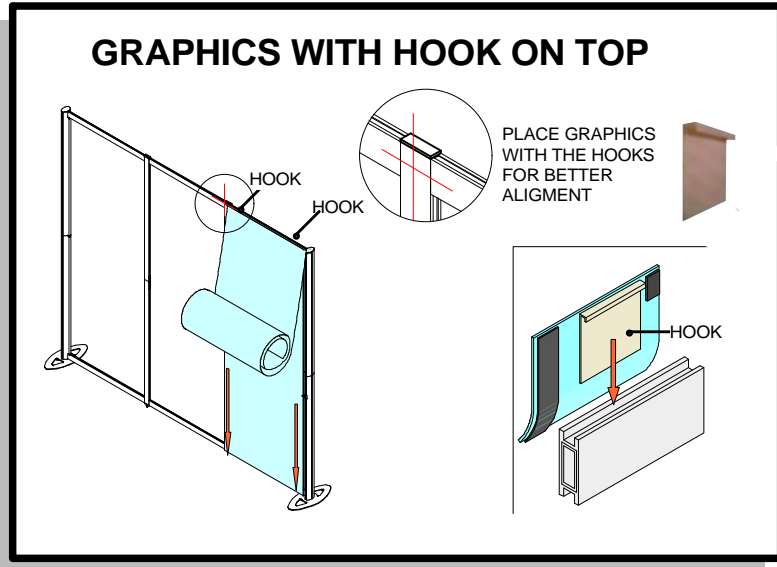
Code	#	Description
L2	2	TOP HALF UPRIGHT
L6	2	CAP
L3	3	HORIZONTAL GRAPHIC BAR
L4-1	2	VERTICAL GRAPHIC BAR
L9	4	GRAPHICS MOUNTING BAR
CPH C	2	CAP FOR VERTICAL GRAPHIC BAR



**LINEAR**



Code	#	Description
L5-2	1	GRAPHICS
L5-1	1	GRAPHICS
L5-3	1	GRAPHICS



L1



L2



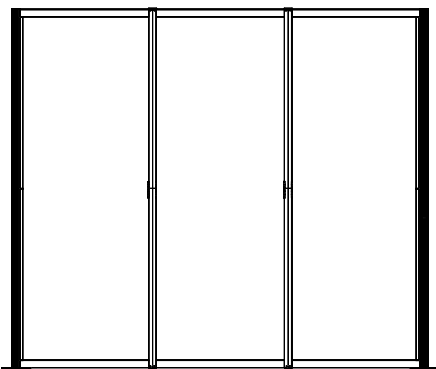
L9



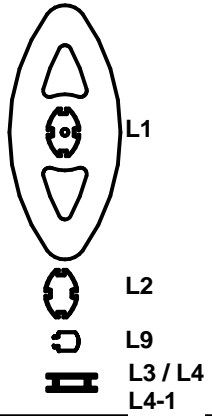
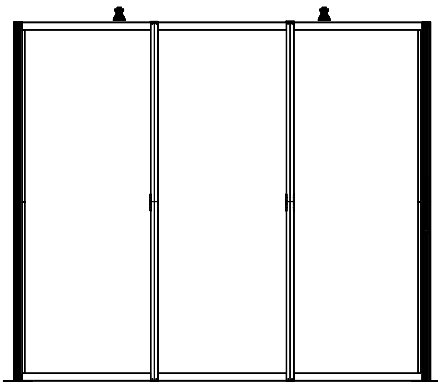
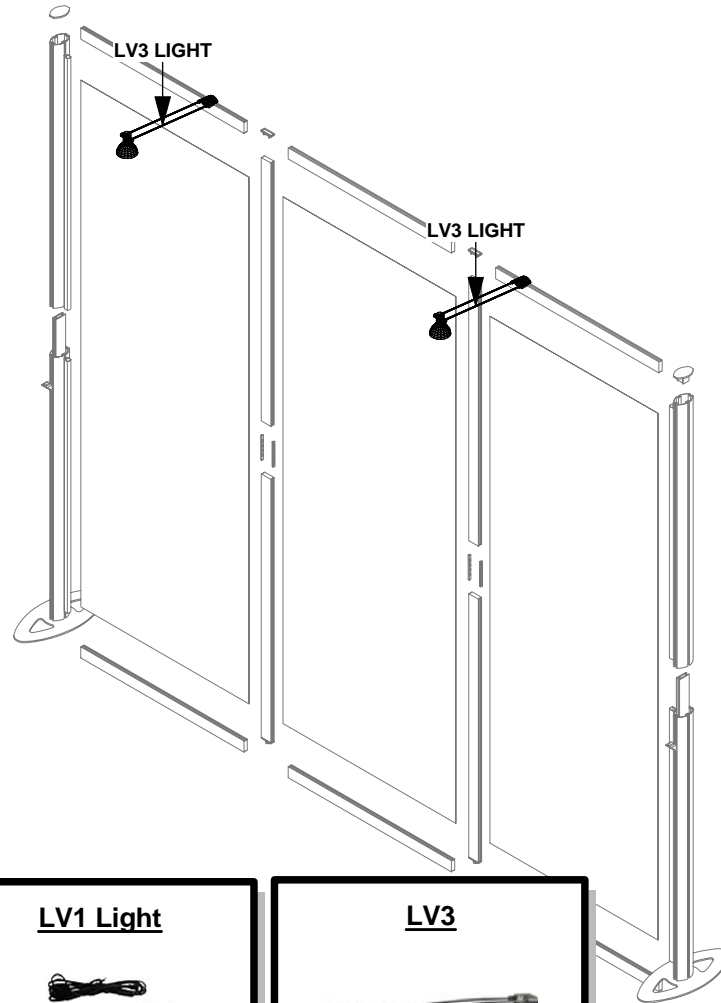
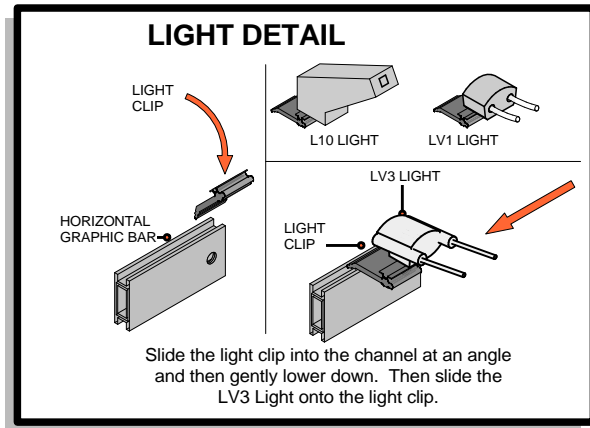
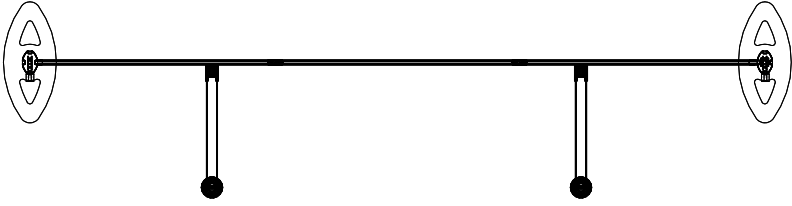
L3 / L4

L4-1

LINEAR

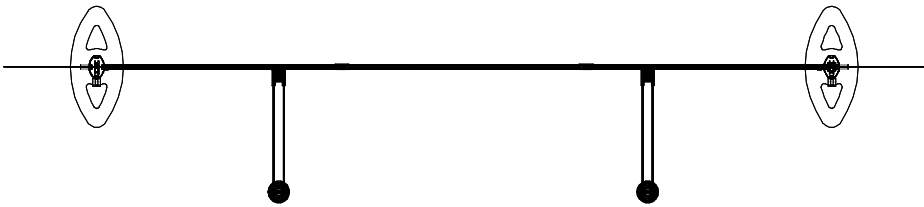


Code	#	Description
LV3 LIGHT	2	GREY SKINNY LIGHT WITH OSRAM TITAN 50W LAN

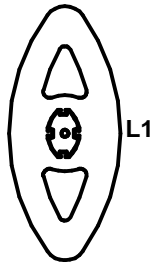


**LINEAR**





Code	#	Description
CKAPS	14	STANDOFFS
L11-5	1	GRAPHICS
L11-1	1	GRAPHICS
L11-2	1	GRAPHICS
L11-6	1	GRAPHICS
L11-4	1	GRAPHICS
L11-7	1	GRAPHICS
L11-3	1	GRAPHICS



L1



L2



L9

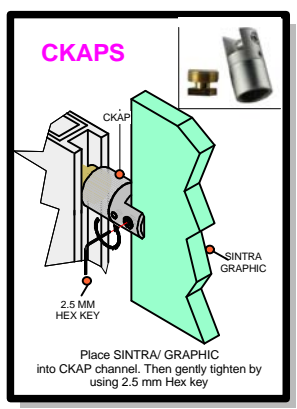
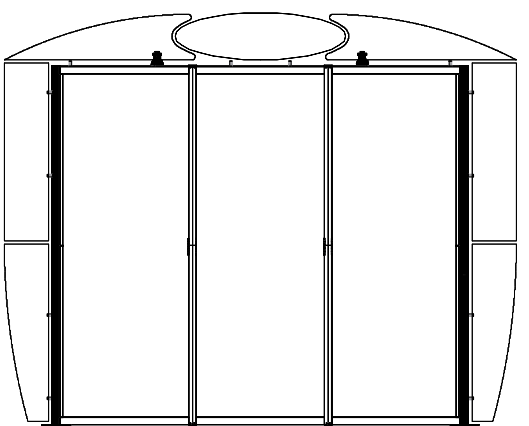
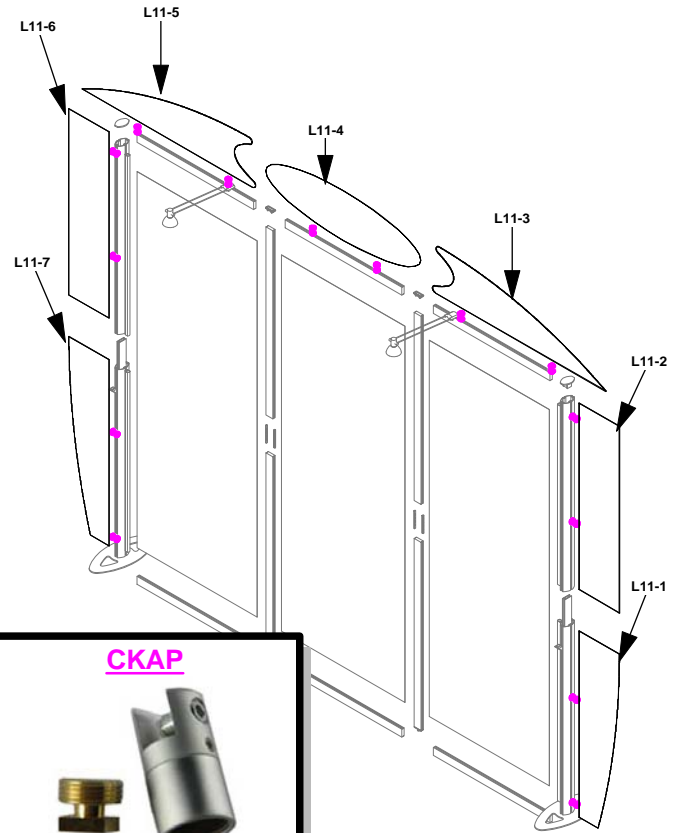
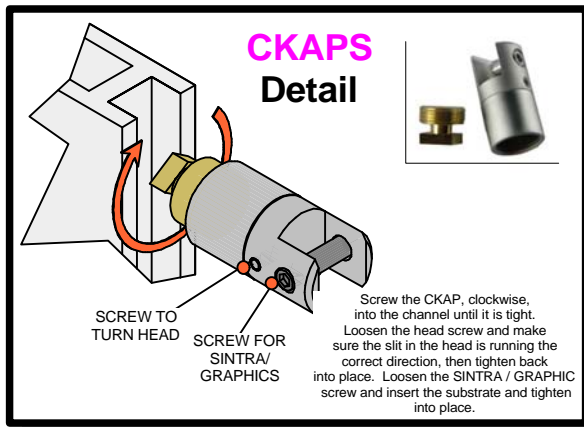


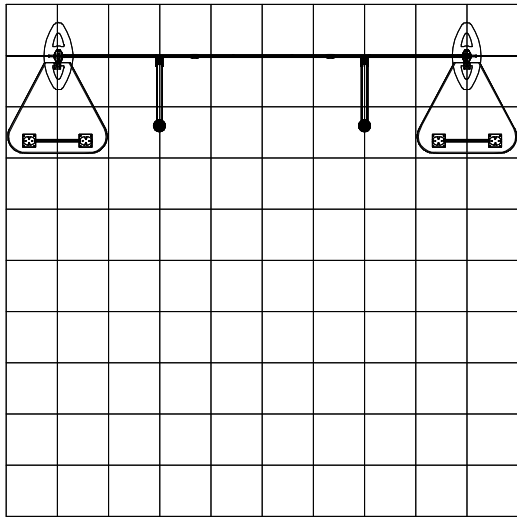
L3 / L4



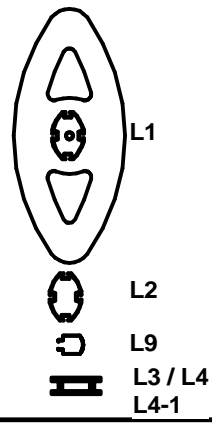
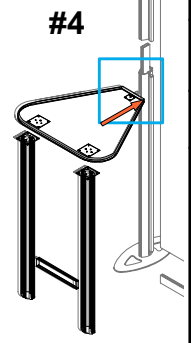
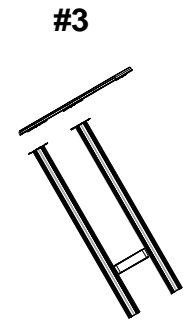
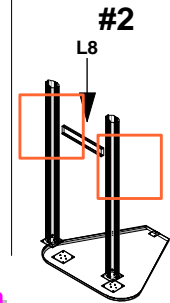
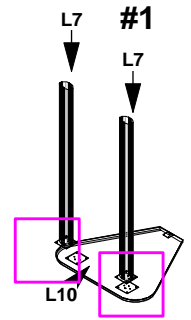
L4-1

LINEAR





Code	#	Description
L10	2	TABLE TOP
L7	4	TABLE LEG
L8	2	TABLE SUPPORT



LINEAR

