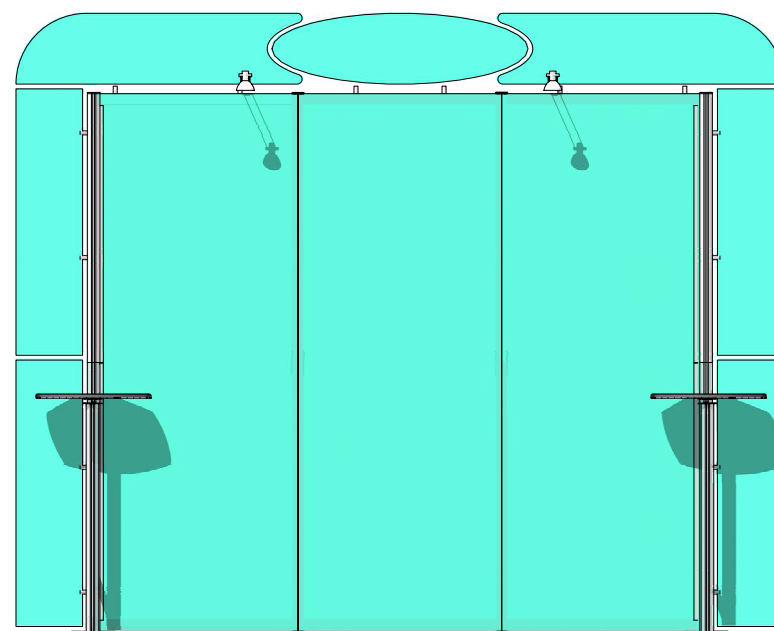
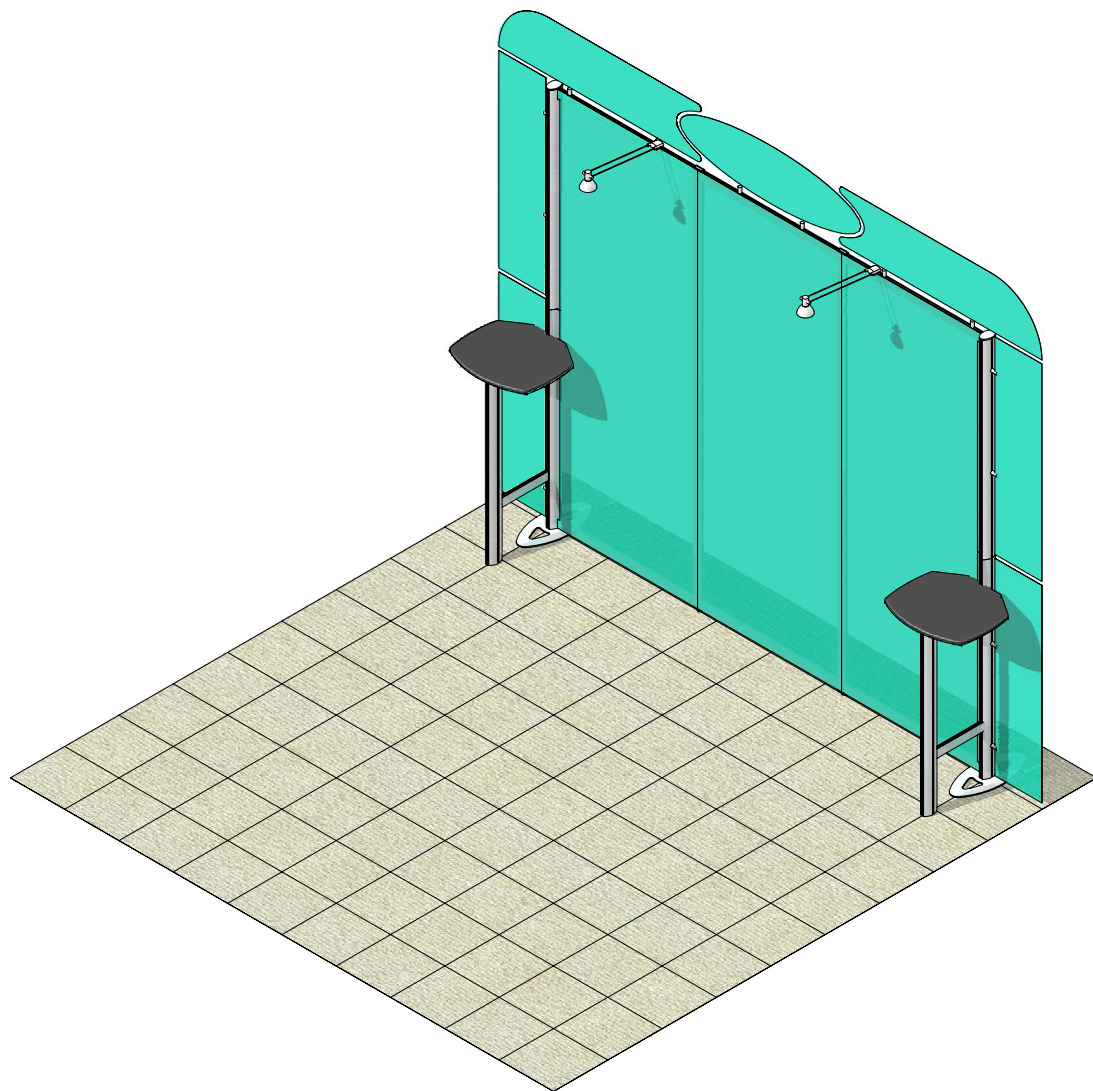
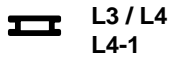
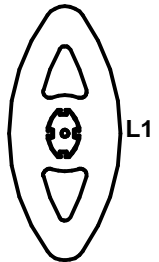
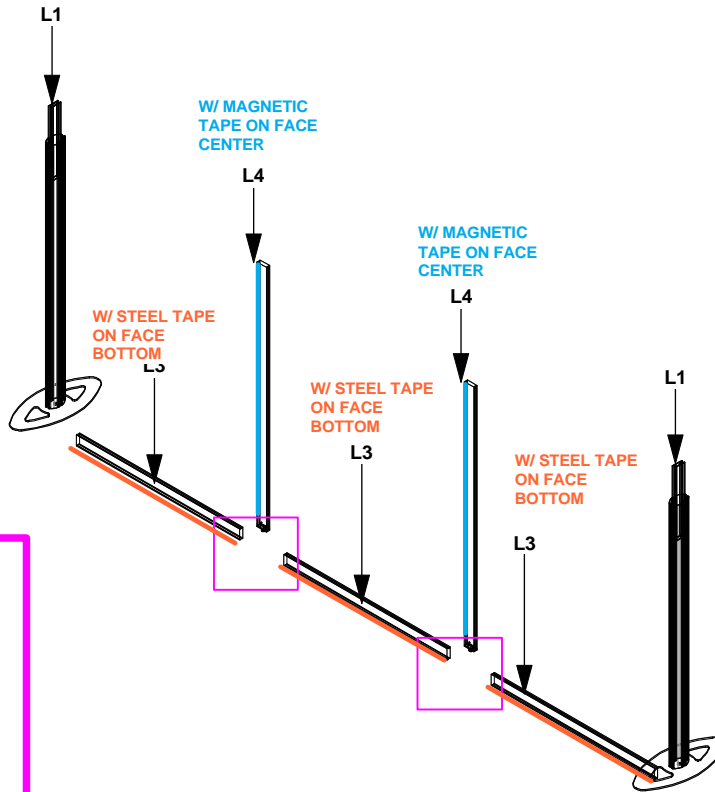
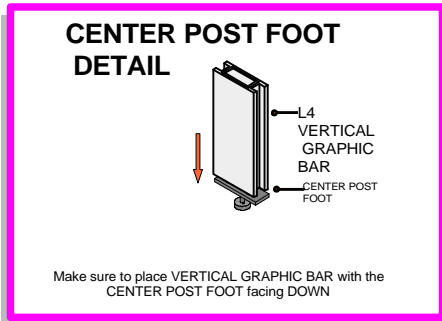
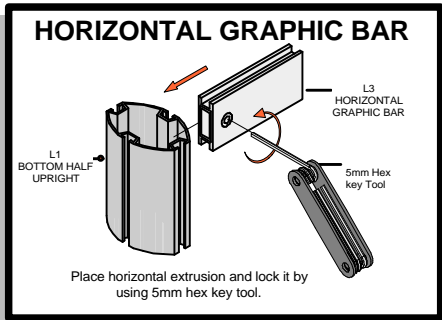
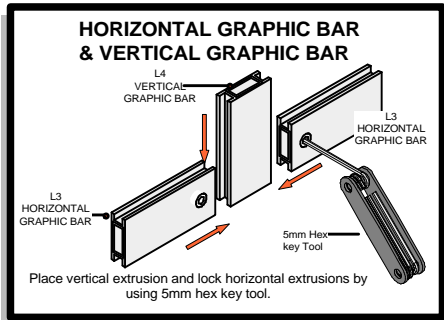


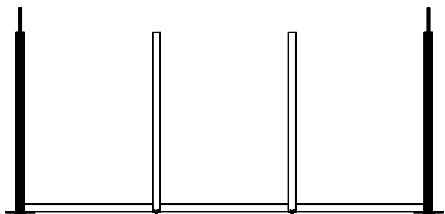
# LINEAR 04



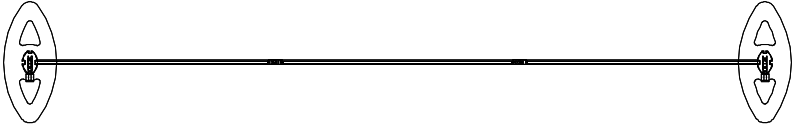
Code	#	Description
L3	3	HORIZONTAL GRAPHIC BAR
L4	2	VERTICAL GRAPHIC BAR WITH CENTER FOOT POST
L1	2	BOTTOM HALF UPRIGHT



LINEAR



Code	#	Description
CORNER LOCK	2	CORNER LOCK
JOINER BAR	4	JOINER BAR



**CORNER LOCK DETAIL**

CORNER LOCK

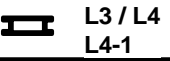
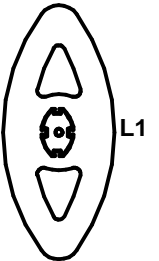
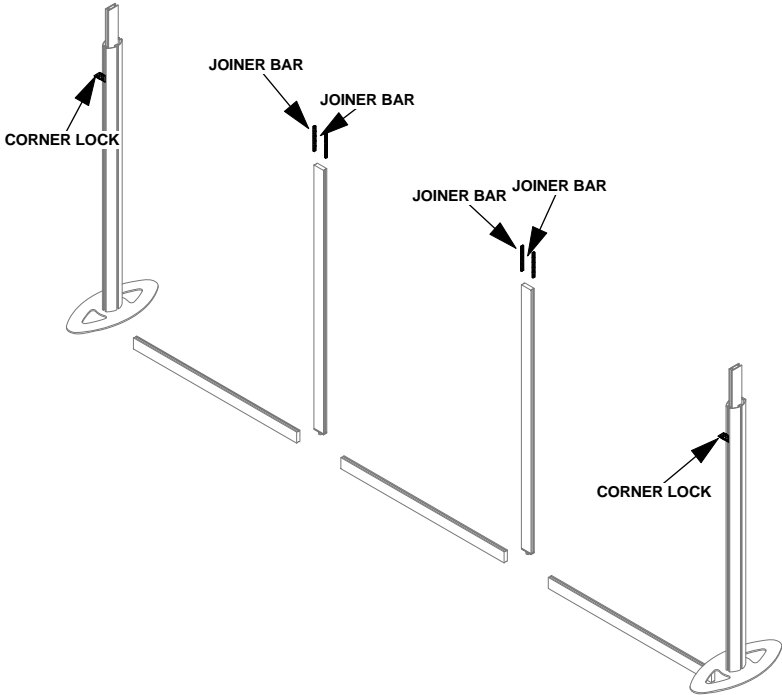
Slide CORNER LOCK into front channel.

**JOINER BAR DETAIL**

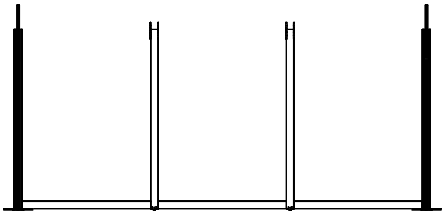
SET SCREW

VERTICAL GRAPHIC BAR

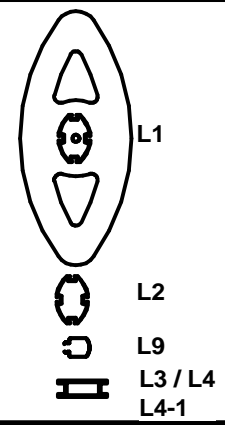
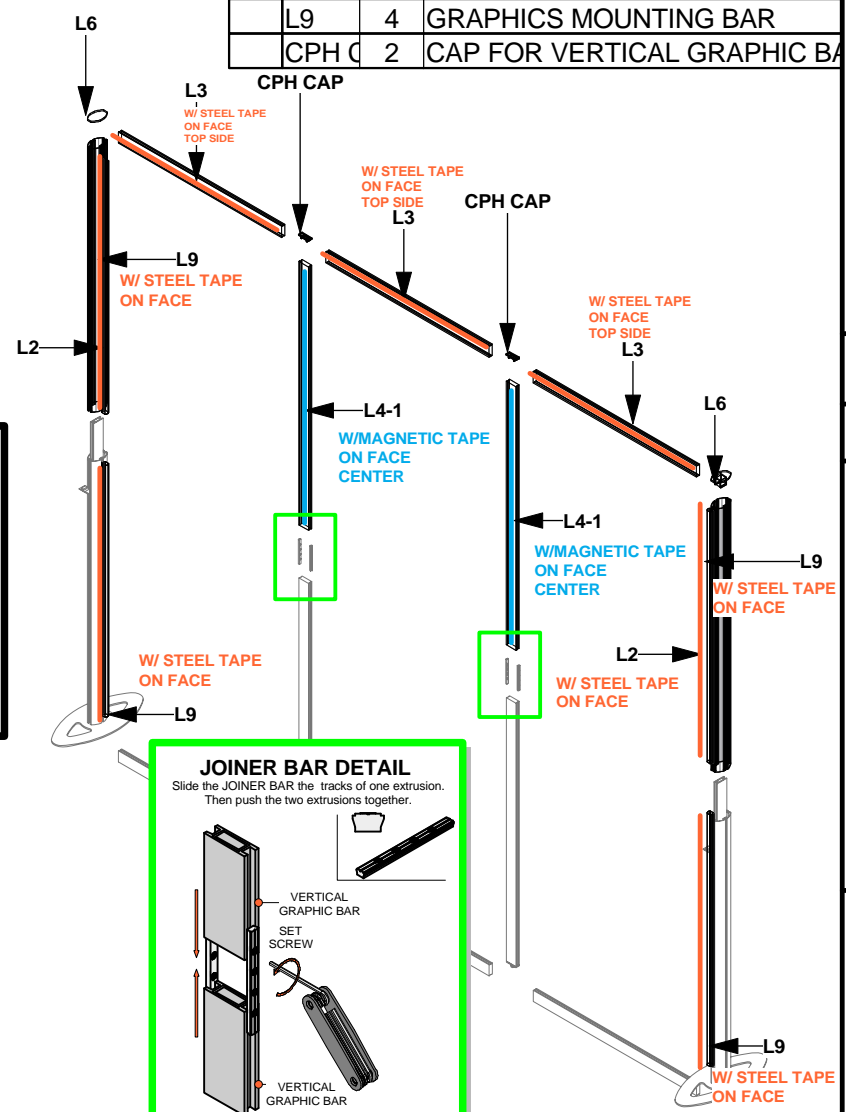
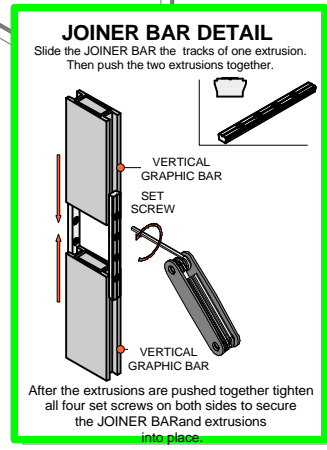
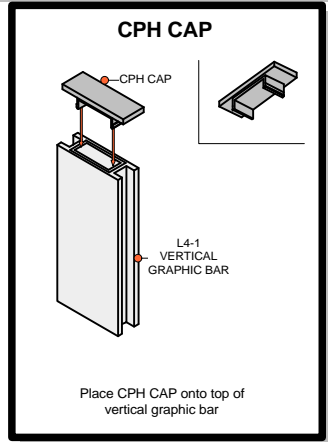
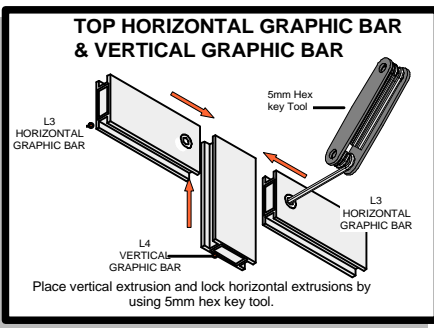
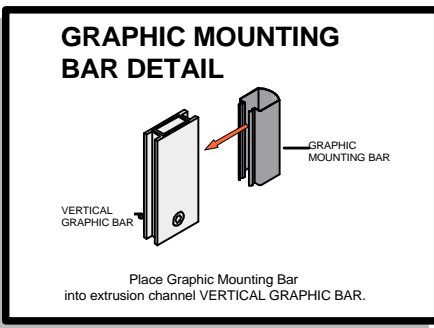
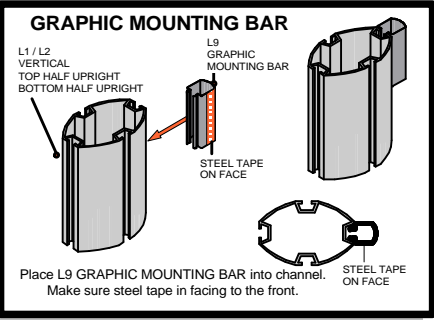
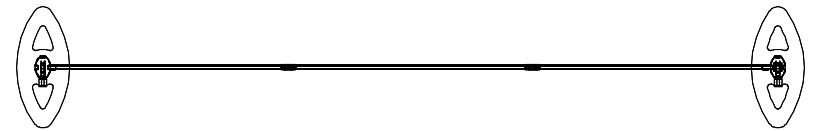
Slide the JOINER BAR the tracks of one extrusion. Then push the two extrusions together.



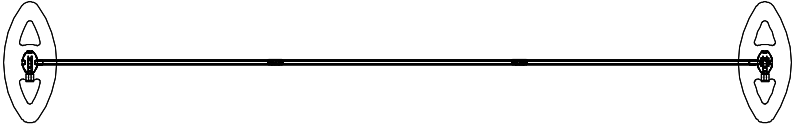
**LINEAR**



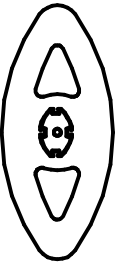
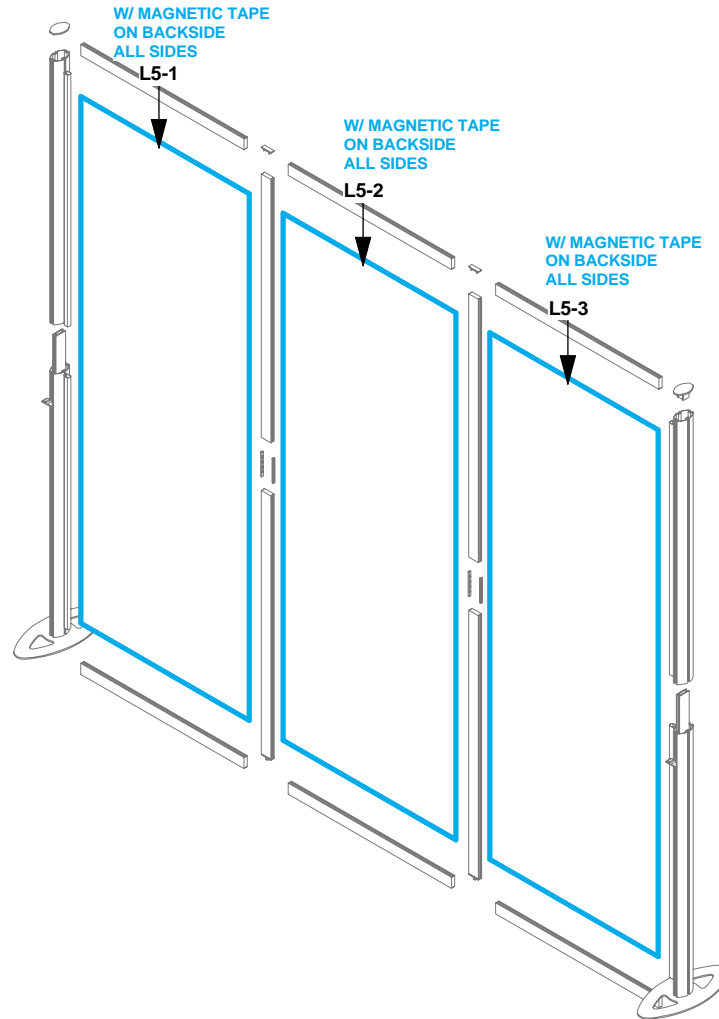
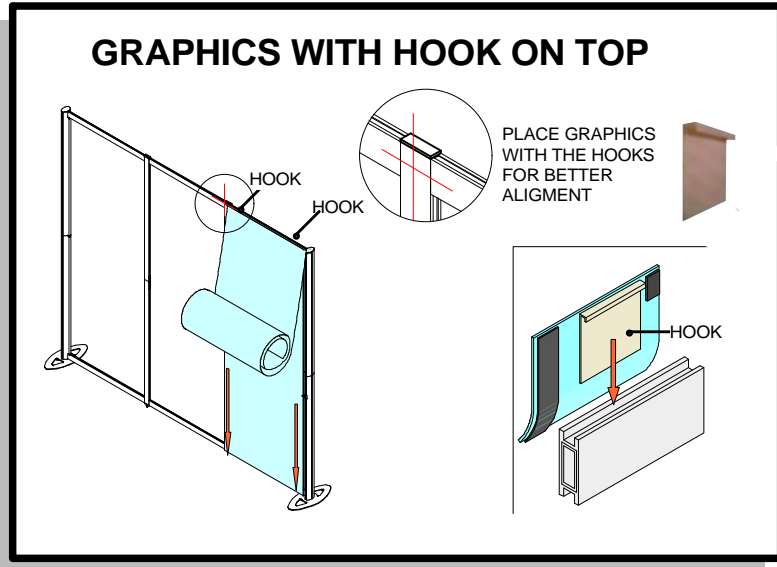
Code	#	Description
L2	2	TOP HALF UPRIGHT
L6	2	CAP
L3	3	HORIZONTAL GRAPHIC BAR
L4-1	2	VERTICAL GRAPHIC BAR
L9	4	GRAPHICS MOUNTING BAR
CPH C	2	CAP FOR VERTICAL GRAPHIC BAR



LINEAR



Code	#	Description
L5-2	1	GRAPHICS
L5-1	1	GRAPHICS
L5-3	1	GRAPHICS



L1



L2



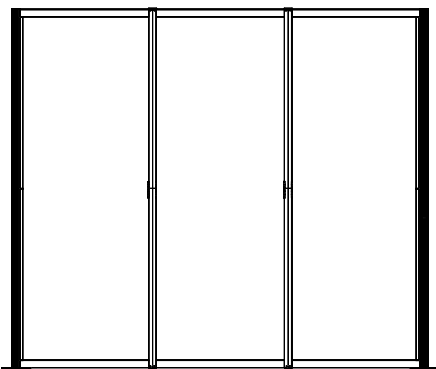
L9



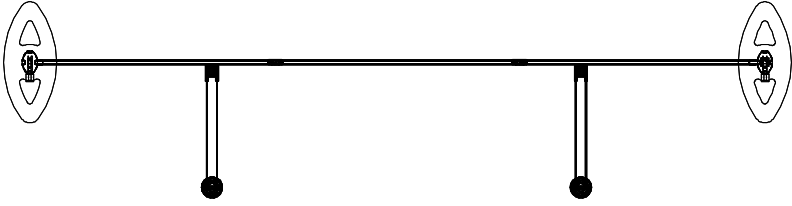
L3 / L4

L4-1

LINEAR



Code	#	Description
LV3 LIGHT	2	GREY SKINNY LIGHT WITH OSRAM TITAN 50W LA



**LIGHT DETAIL**

LIGHT CLIP

L10 LIGHT

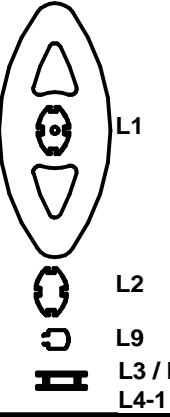
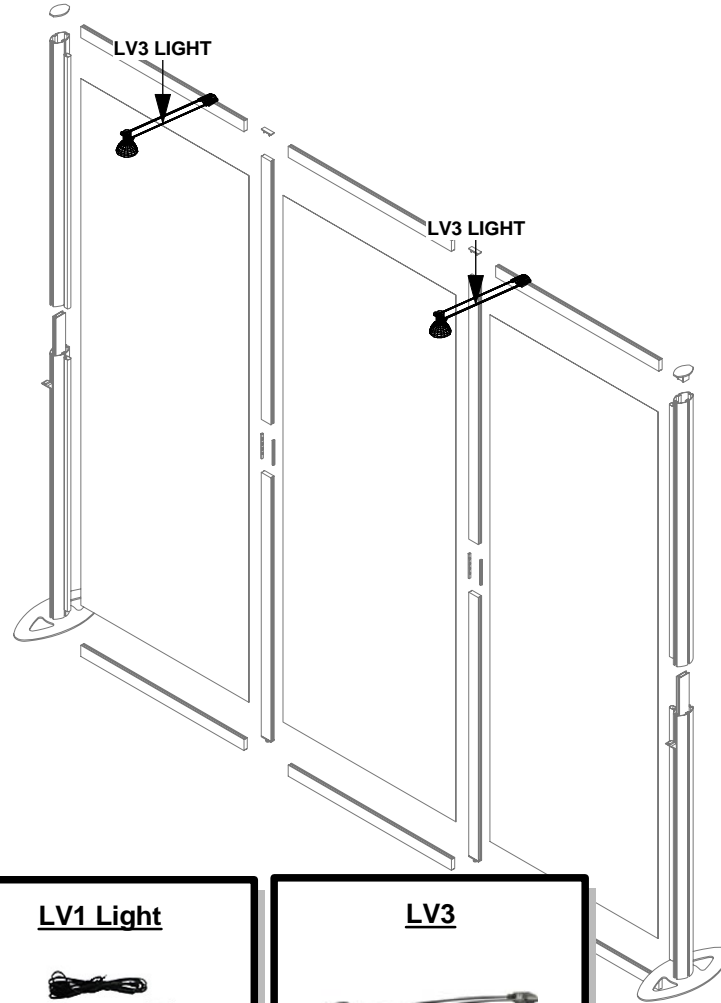
LV1 LIGHT

HORIZONTAL GRAPHIC BAR

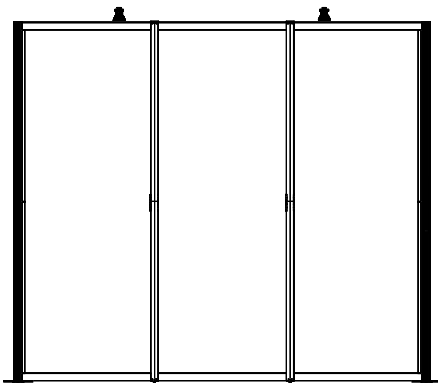
LV3 LIGHT

LIGHT CLIP

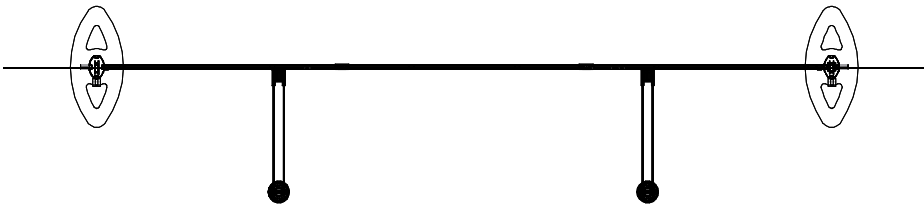
Slide the light clip into the channel at an angle and then gently lower down. Then slide the LV3 Light onto the light clip.



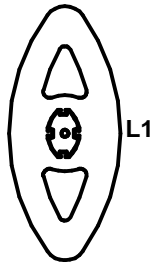
**LINEAR**







Code	#	Description
CKAPS	14	STANDOFFS
L11-6	1	GRAPHICS
L11-5	1	GRAPHICS
L11-4	1	GRAPHICS
L11-7	1	GRAPHICS
L11-1	1	GRAPHICS
L11-2	1	GRAPHICS
L11-3	1	GRAPHICS



L1



L2



L9

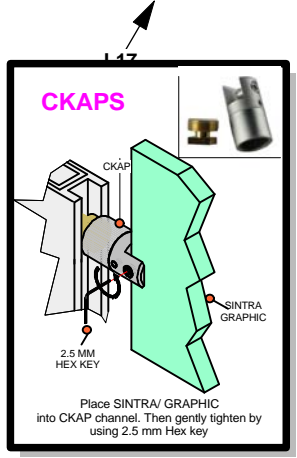
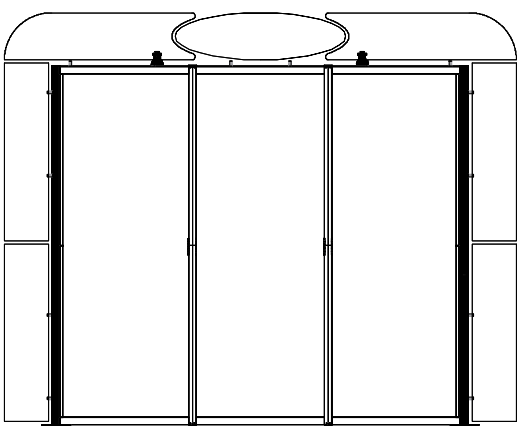
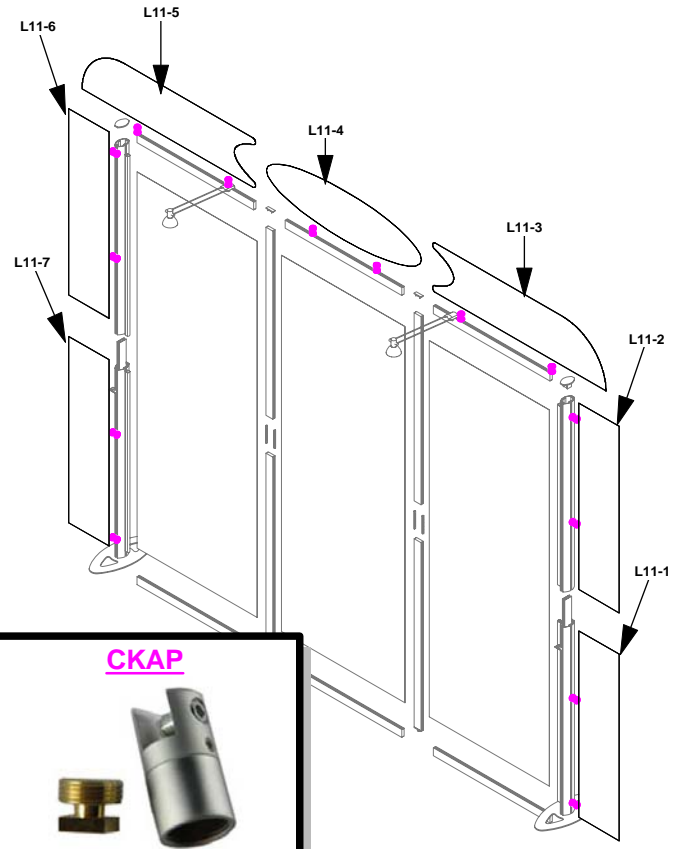
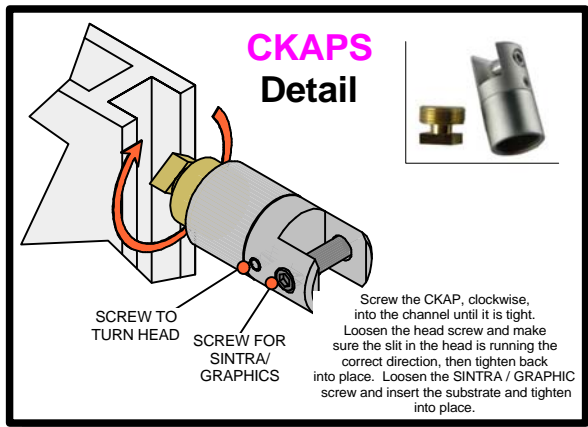


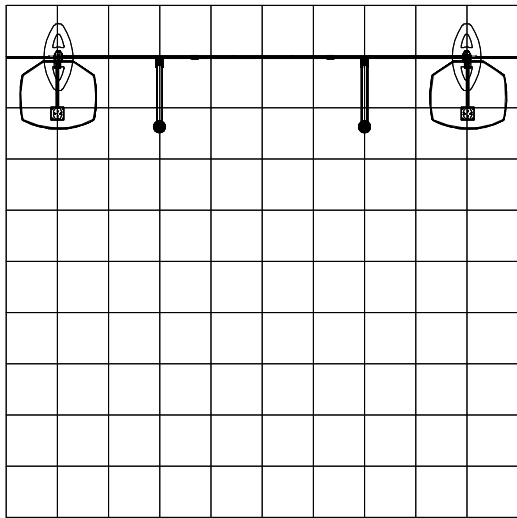
L3 / L4



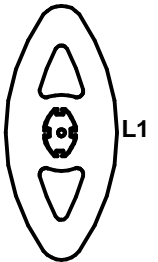
L4-1

LINEAR





Code	#	Description
L17	2	TABLE TOP
L7	2	TABLE LEG
	2	
L8	2	TABLE SUPPORT



L1



L2



L9



L3 / L4

L4-1

LINEAR

