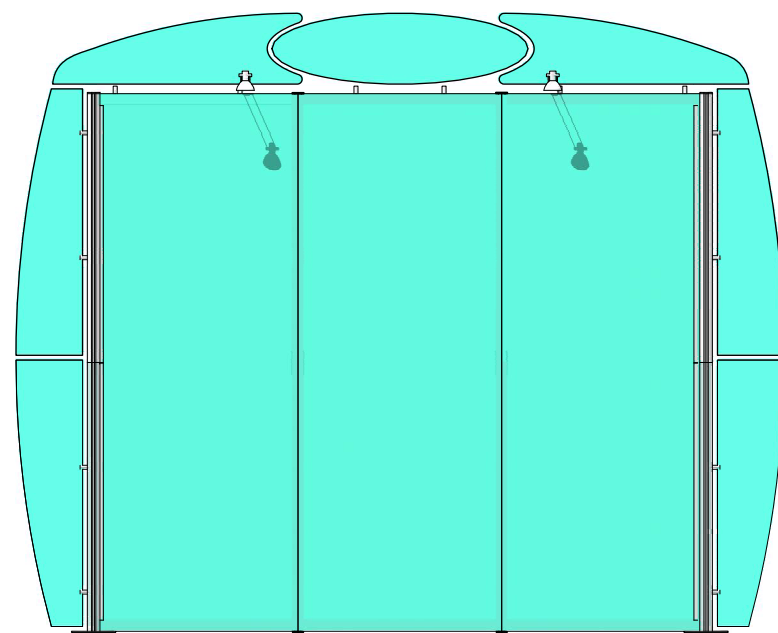
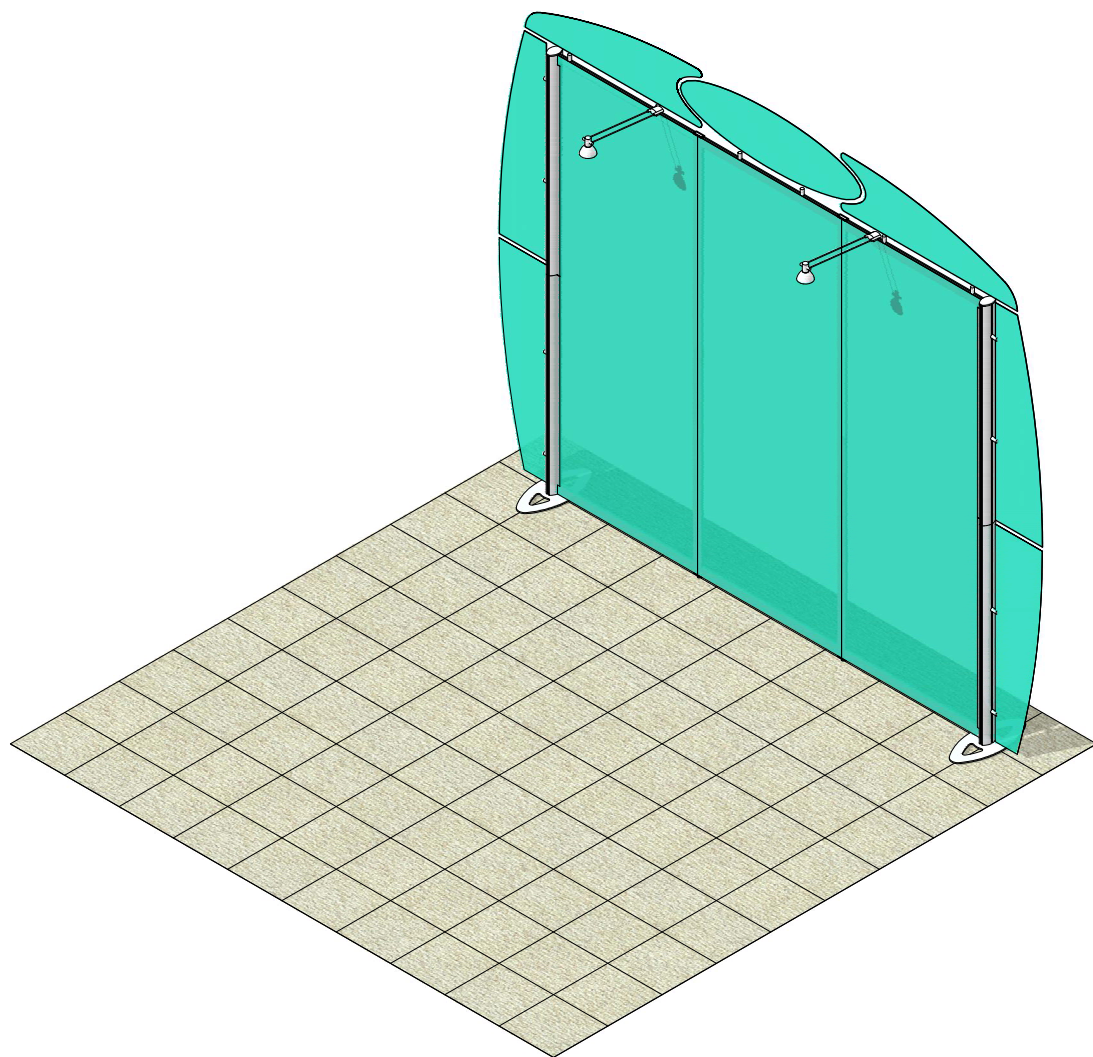
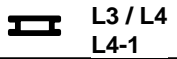
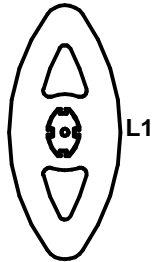
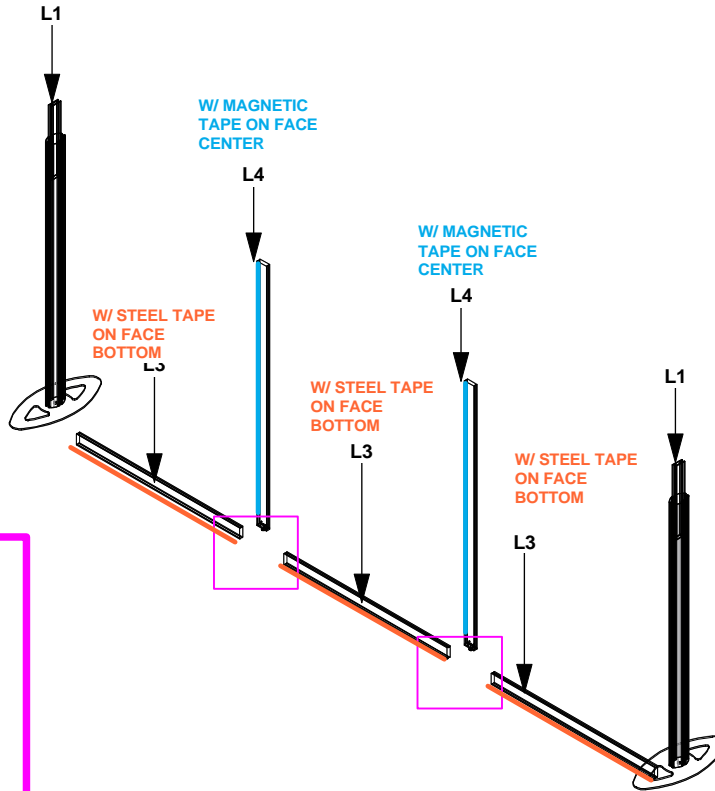
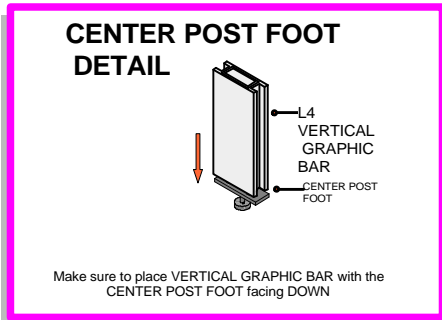
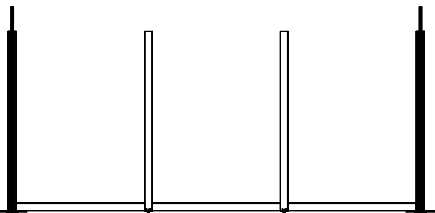
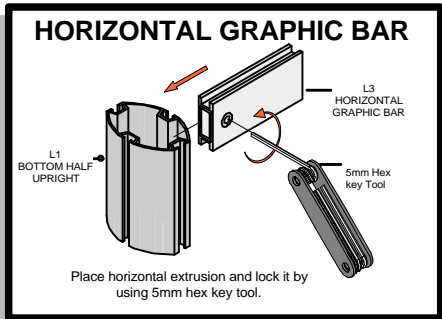
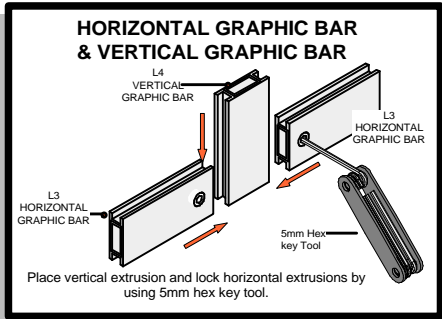
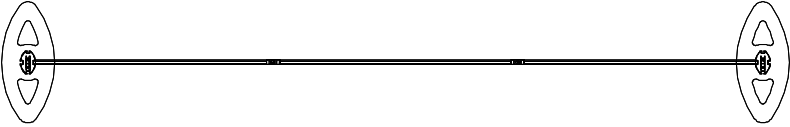


LINEAR 06

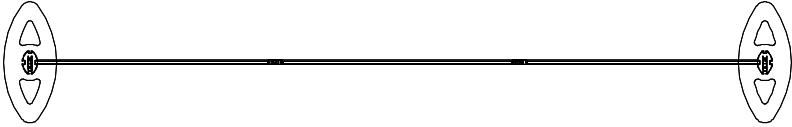


Code	#	Description
L3	3	HORIZONTAL GRAPHIC BAR
L4	2	VERTICAL GRAPHIC BAR WITH CENTER FOOT POST
L1	2	BOTTOM HALF UPRIGHT



LINEAR

Code	#	Description
JOINER BAR	4	JOINER BAR

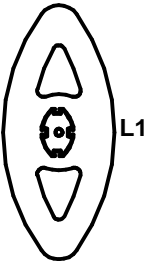


JOINER BAR DETAIL

SET SCREW

VERTICAL GRAPHIC BAR

Slide the JOINER BAR the tracks of one extrusion. Then push the two extrusions together.



L1



L2



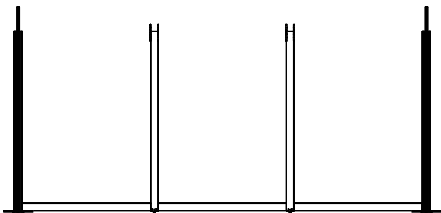
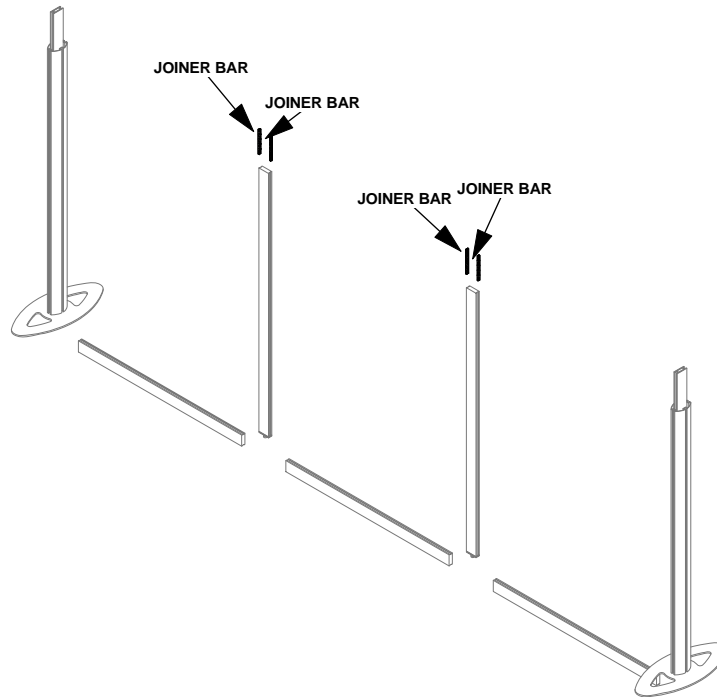
L9



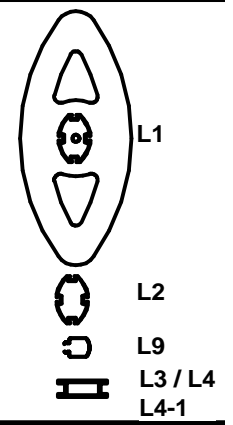
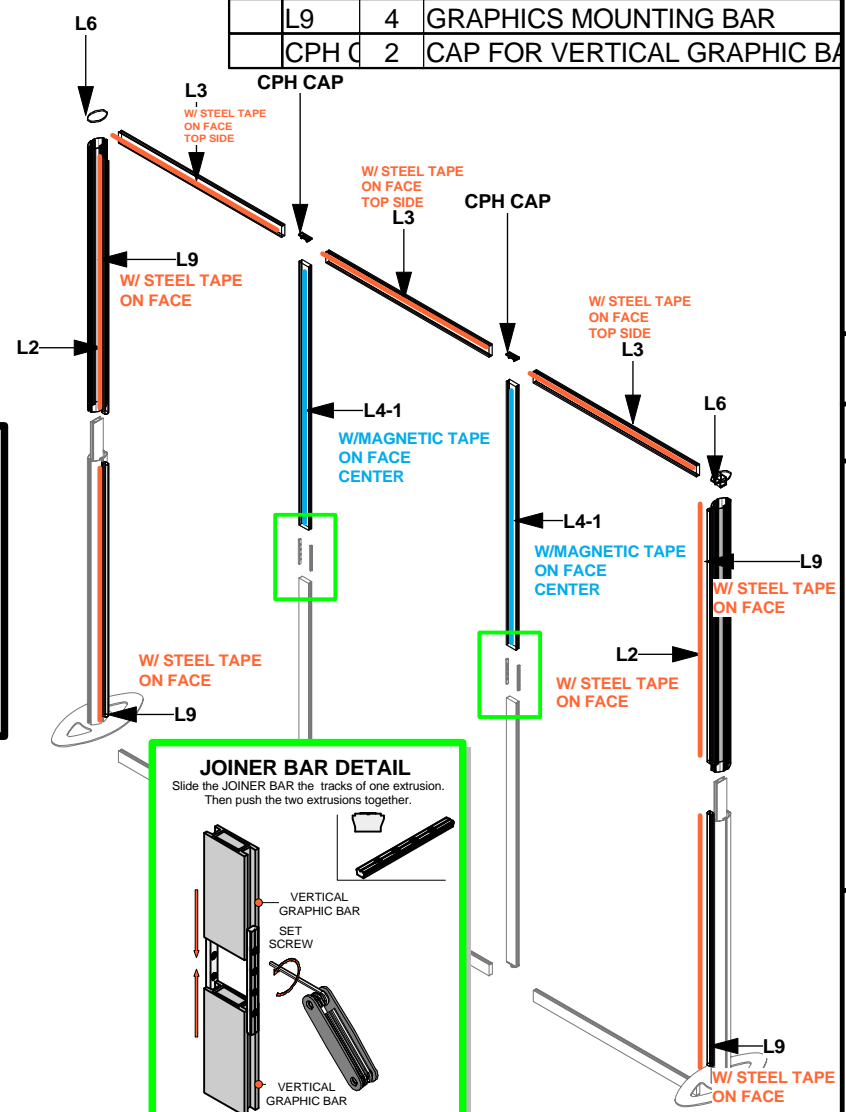
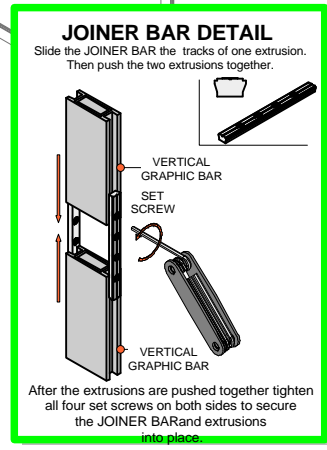
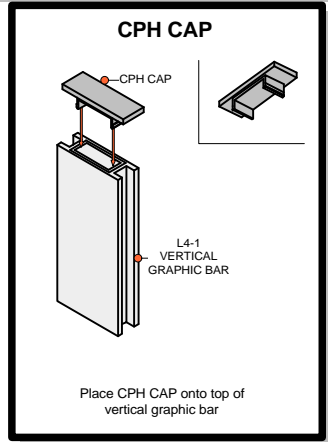
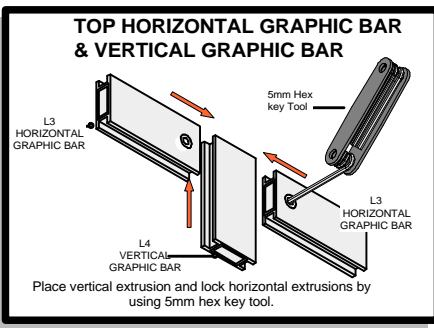
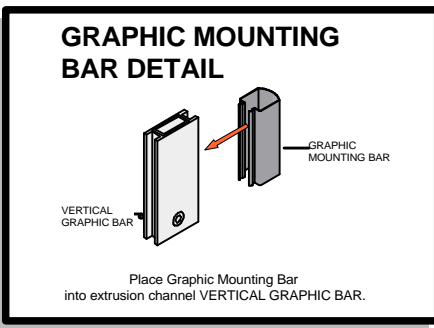
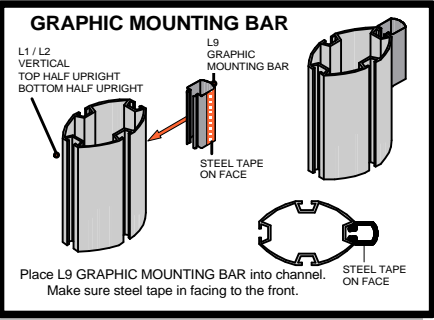
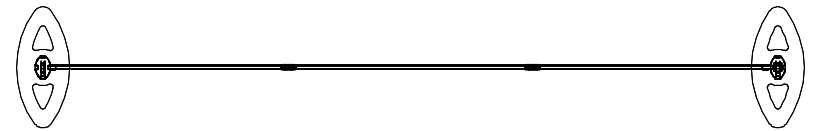
L3 / L4

L4-1

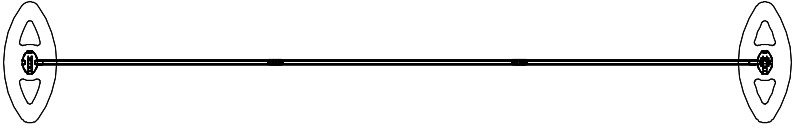
LINEAR



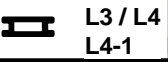
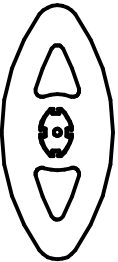
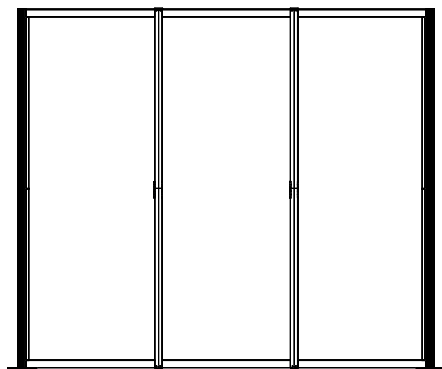
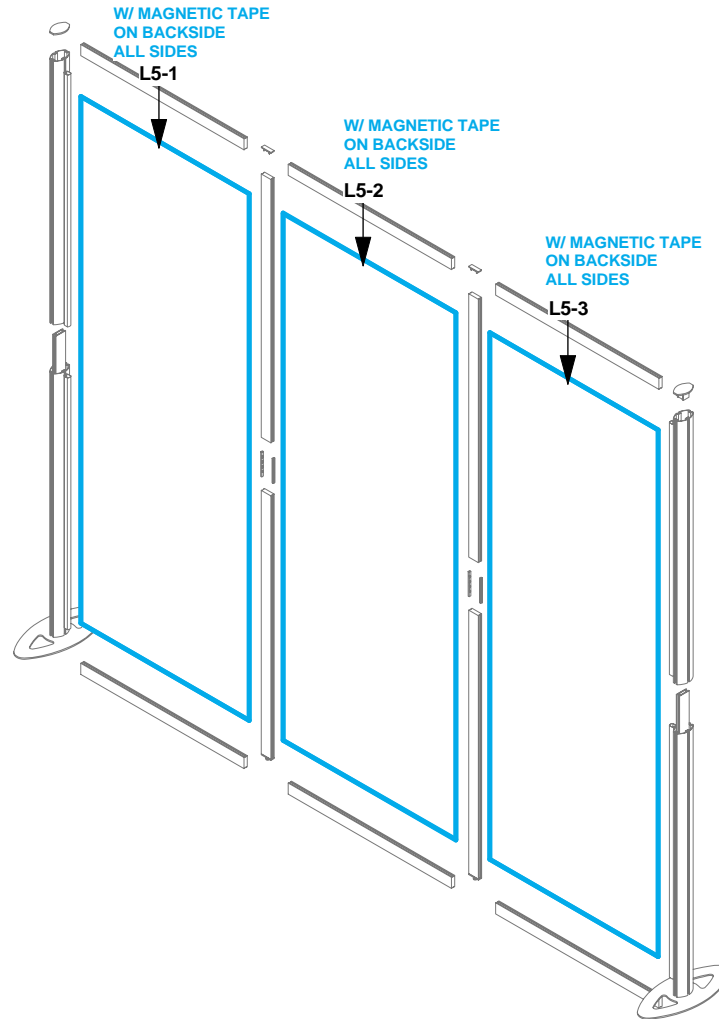
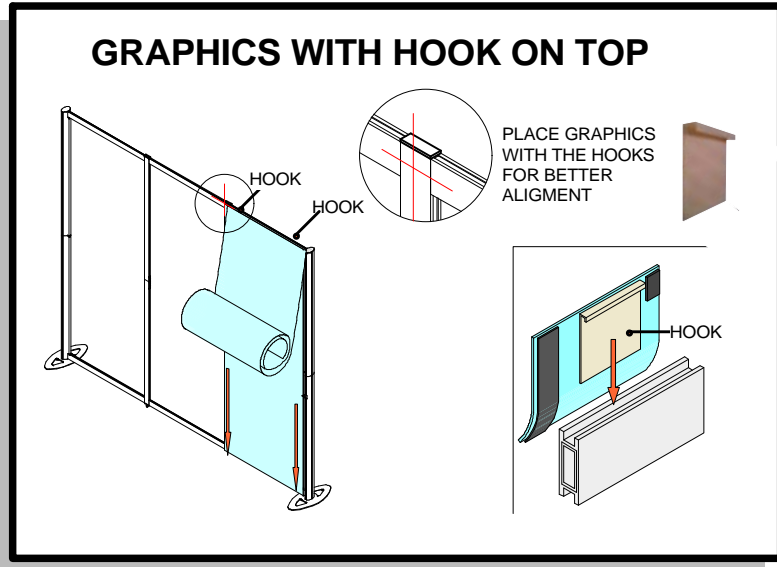
Code	#	Description
L2	2	TOP HALF UPRIGHT
L6	2	CAP
L3	3	HORIZONTAL GRAPHIC BAR
L4-1	2	VERTICAL GRAPHIC BAR
L9	4	GRAPHICS MOUNTING BAR
CPH C	2	CAP FOR VERTICAL GRAPHIC BAR



LINEAR

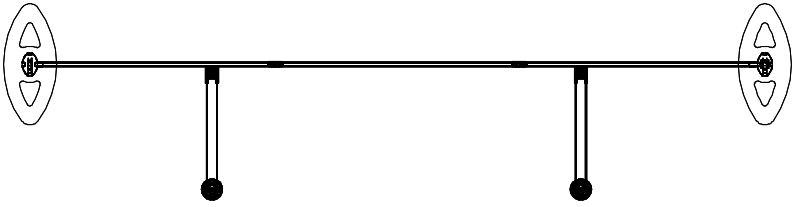


Code	#	Description
L5-2	1	GRAPHICS
L5-1	1	GRAPHICS
L5-3	1	GRAPHICS



LINEAR

Code	#	Description
LV3 LIGHT	2	GREY SKINNY LIGHT WITH OSRAM TITAN 50W LA



LIGHT DETAIL

LIGHT CLIP

HORIZONTAL GRAPHIC BAR

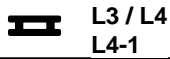
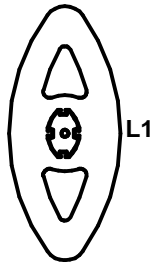
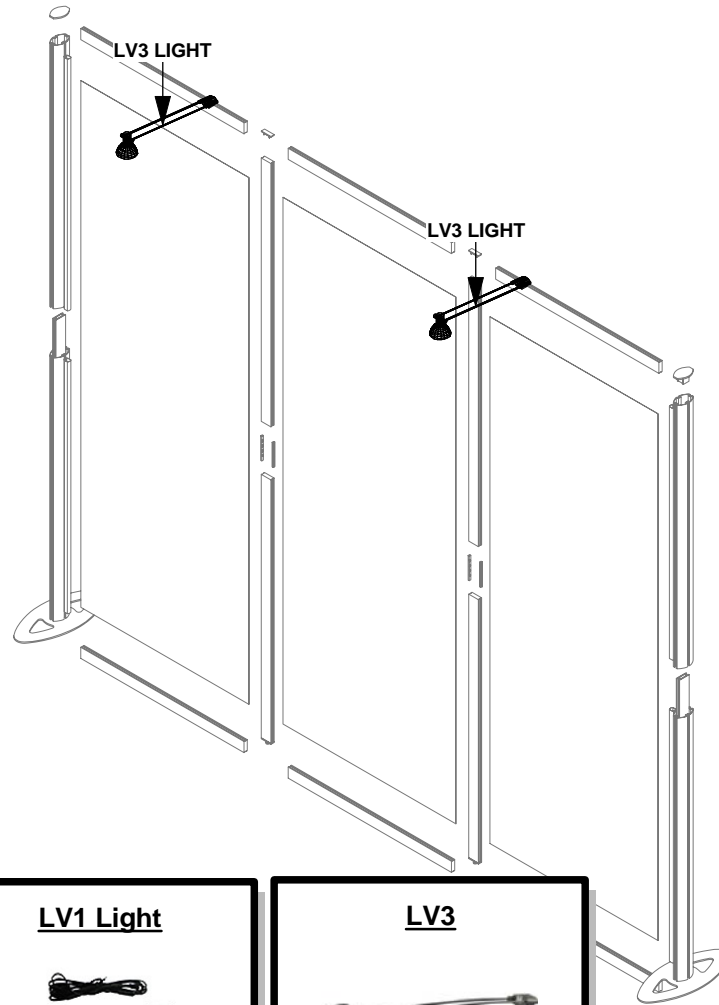
L10 LIGHT

LV1 LIGHT

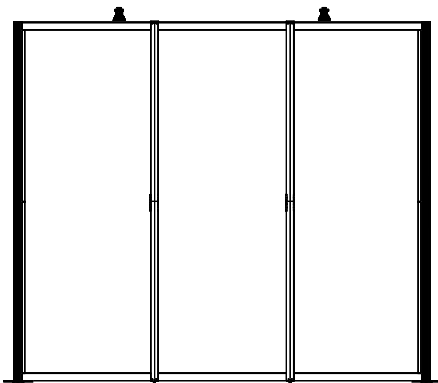
LV3 LIGHT

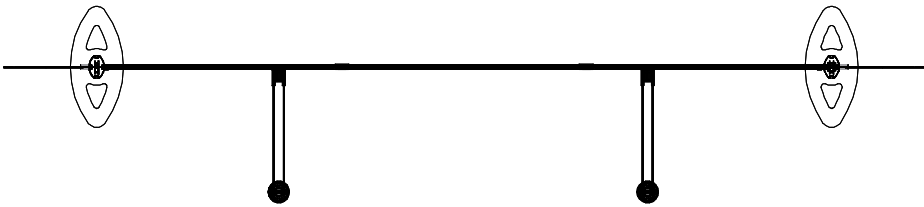
LIGHT CLIP

Slide the light clip into the channel at an angle and then gently lower down. Then slide the LV3 Light onto the light clip.

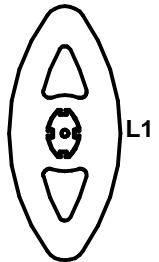


LINEAR





Code	#	Description
CKAPS	14	STANDOFFS
L11-2	1	GRAPHICS
L11-4	1	GRAPHICS
L11-6	1	GRAPHICS
L11-5	1	GRAPHICS
L11-3	1	GRAPHICS
L11-1	1	GRAPHICS
L11-7	1	GRAPHICS



L1



L2



L9



L3 / L4

L4-1

LINEAR

