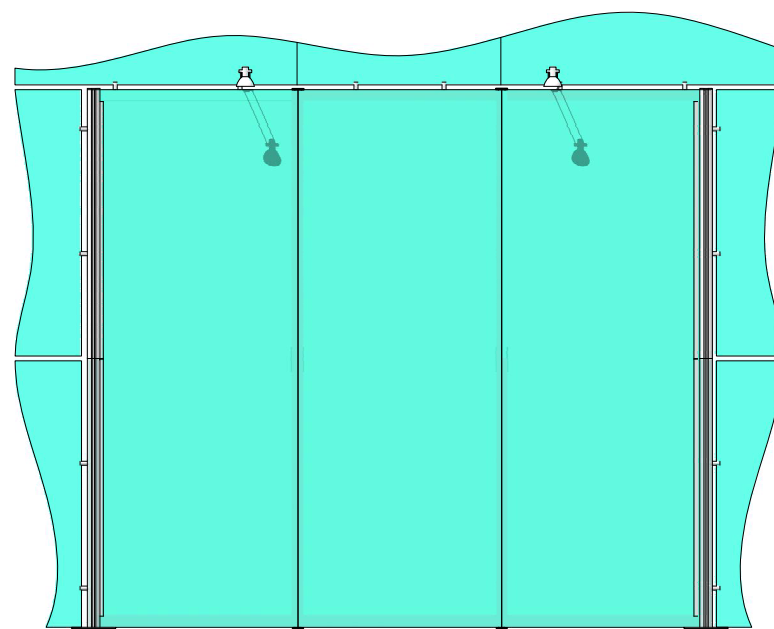
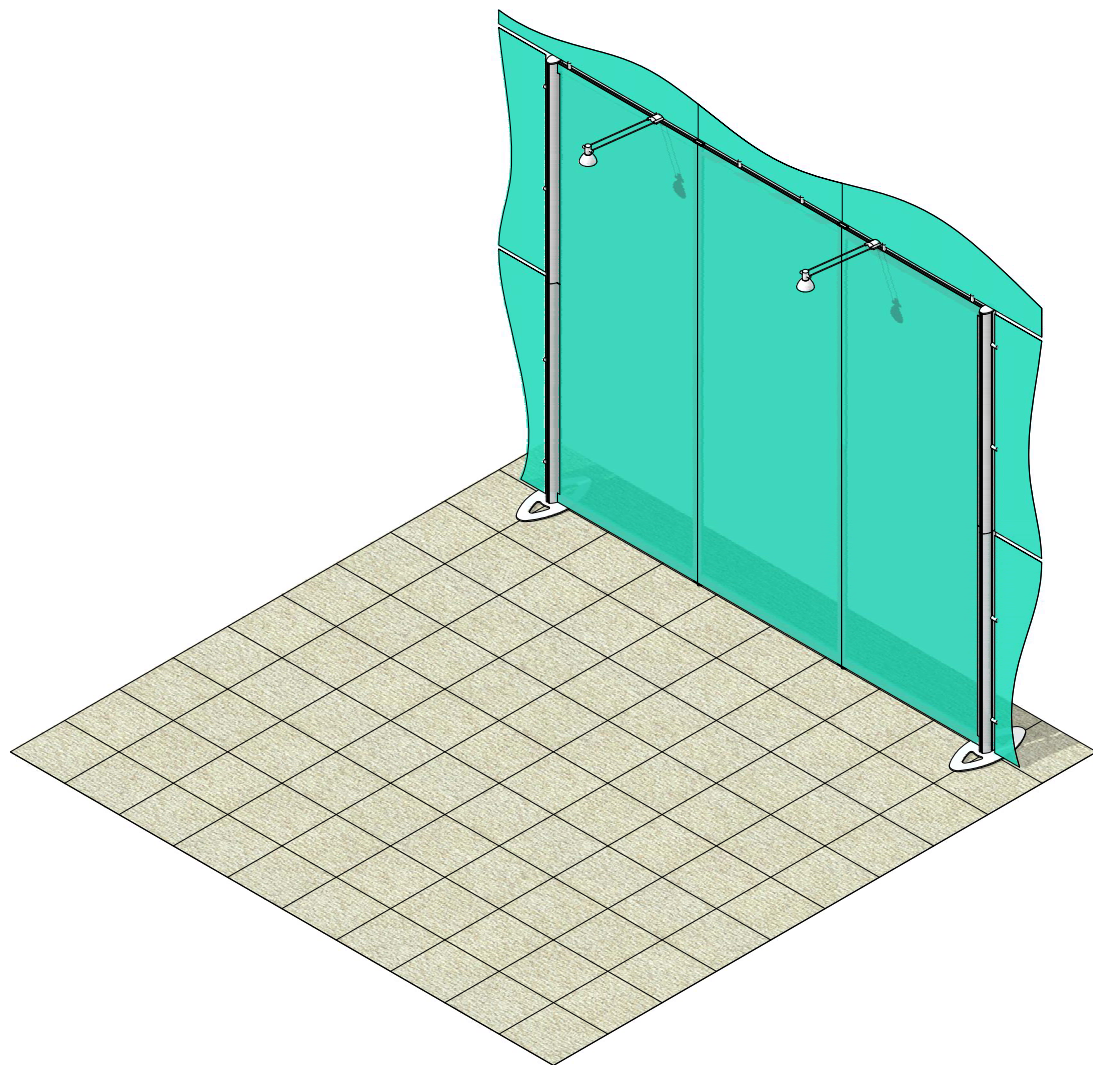
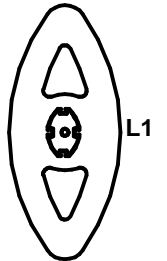
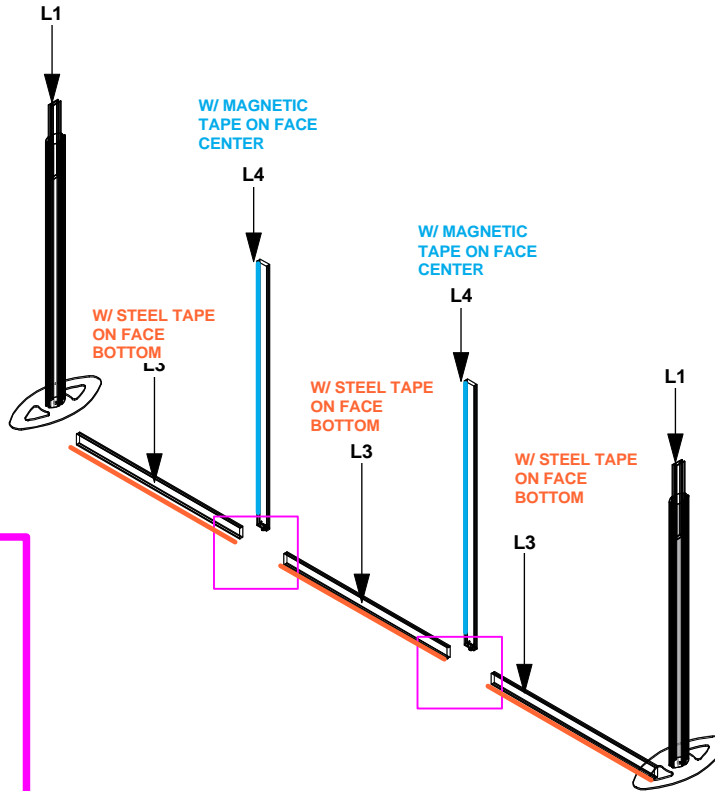
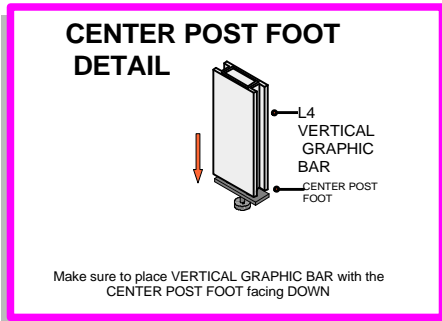
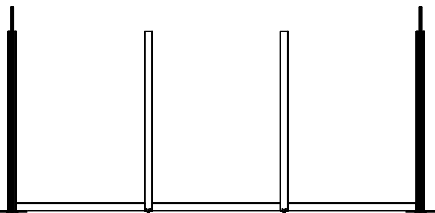
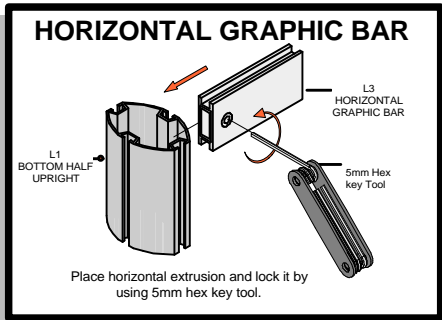
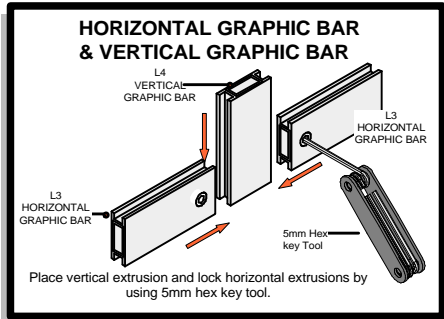


# LINEAR 10



| Code | # | Description                                |
|------|---|--|
| L3   | 3 | HORIZONTAL GRAPHIC BAR                     |
| L4   | 2 | VERTICAL GRAPHIC BAR WITH CENTER FOOT POST |
| L1   | 2 | BOTTOM HALF UPRIGHT                        |



L1



L2



L9

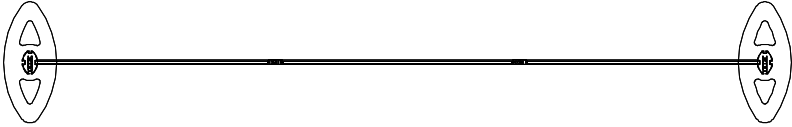


L3 / L4

L4-1

LINEAR

| Code       | # | Description |
|------------|---|-------------|
| JOINER BAR | 4 | JOINER BAR  |

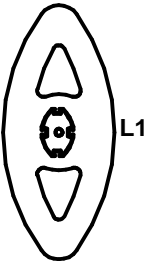


**JOINER BAR DETAIL**

SET SCREW

VERTICAL GRAPHIC BAR

Slide the JOINER BAR the tracks of one extrusion. Then push the two extrusions together.



L1



L2



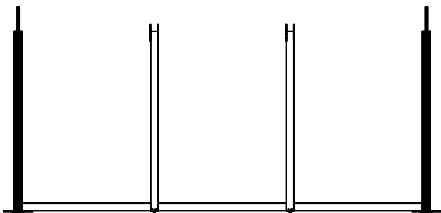
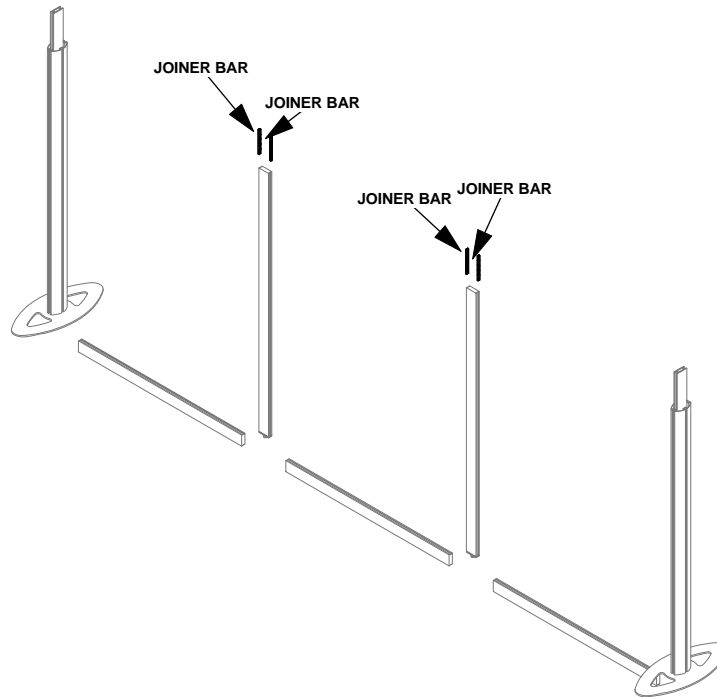
L9



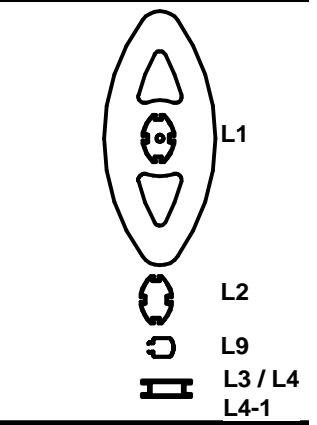
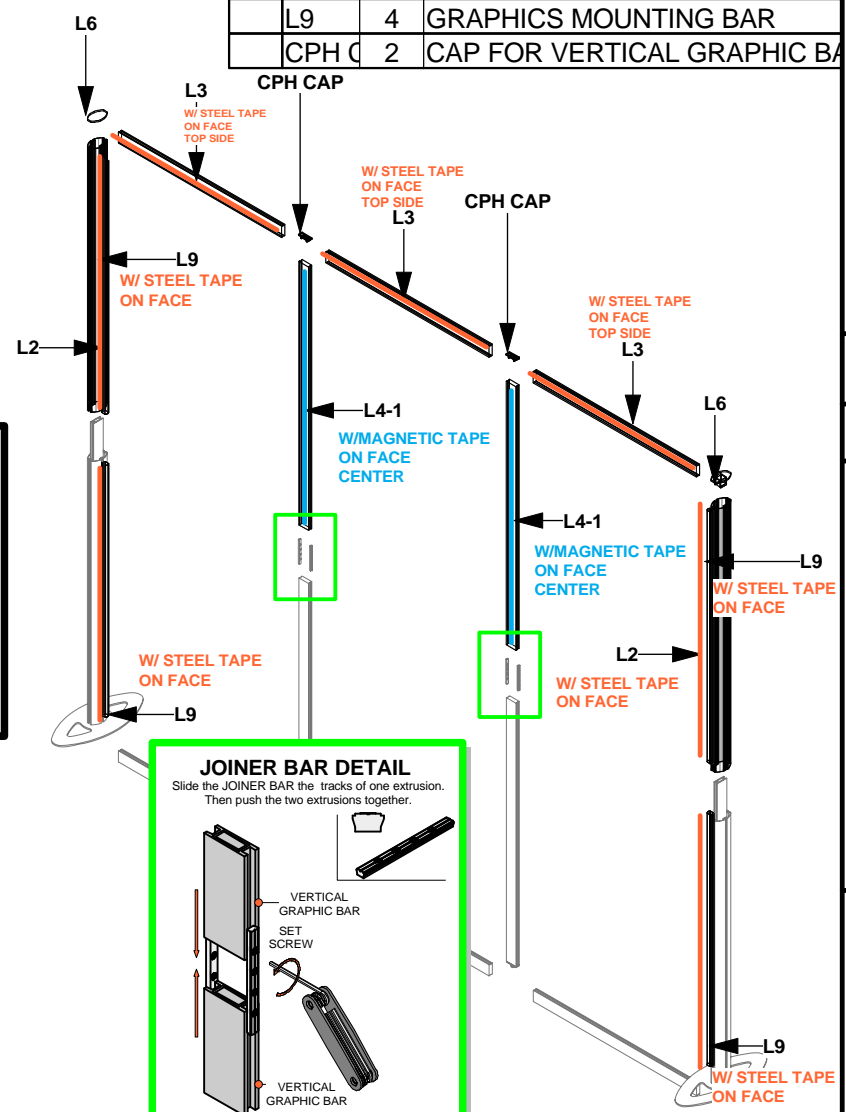
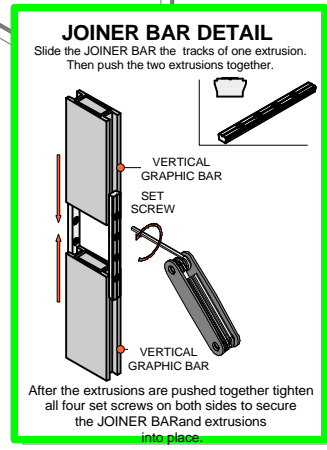
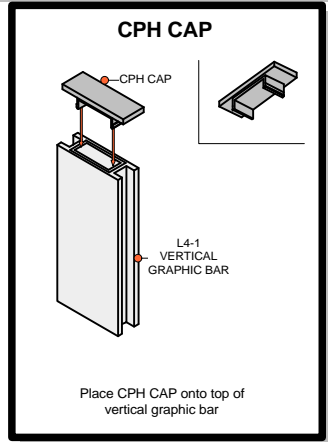
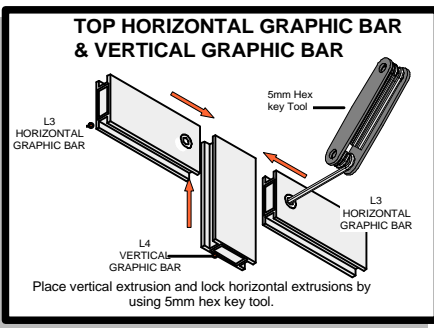
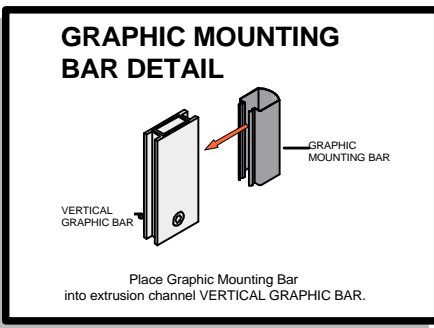
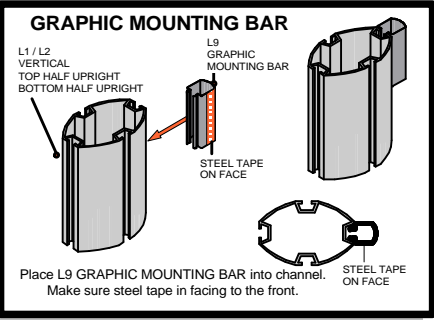
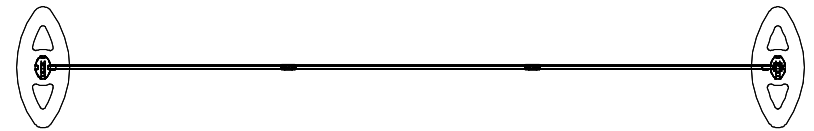
L3 / L4

L4-1

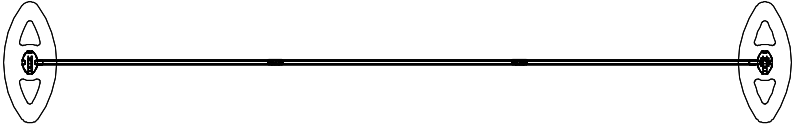
**LINEAR**



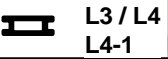
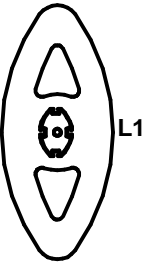
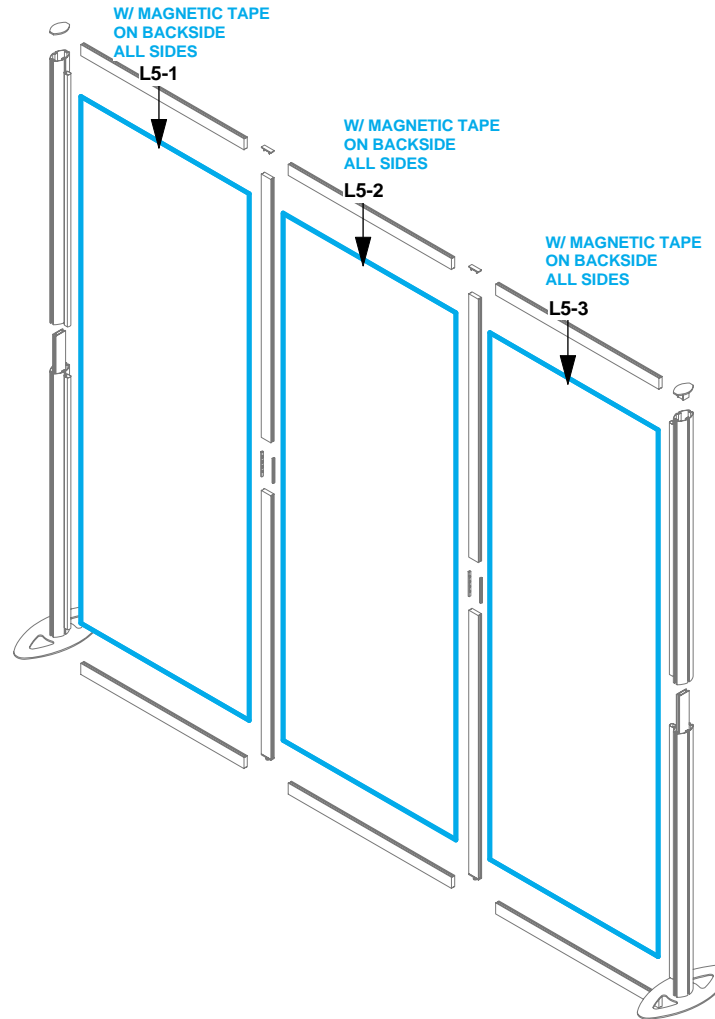
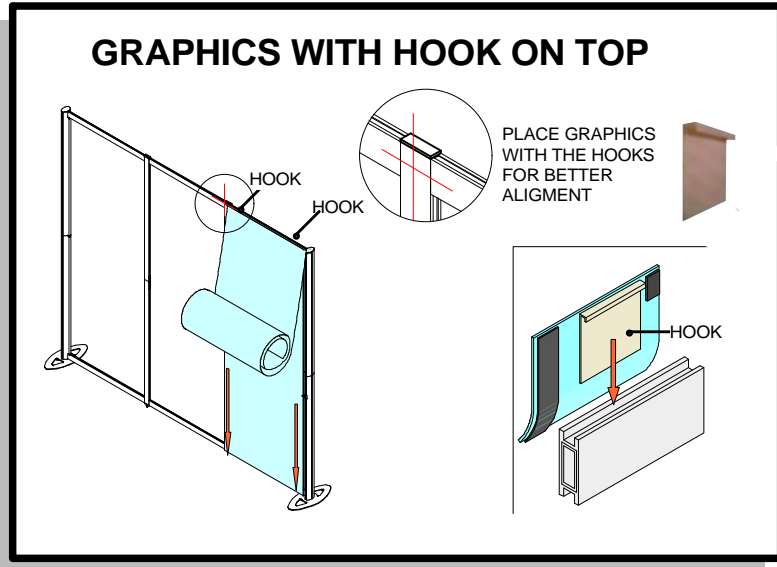
| Code  | # | Description                  |
|-------|---|------------------------------|
| L2    | 2 | TOP HALF UPRIGHT             |
| L6    | 2 | CAP                          |
| L3    | 3 | HORIZONTAL GRAPHIC BAR       |
| L4-1  | 2 | VERTICAL GRAPHIC BAR         |
| L9    | 4 | GRAPHICS MOUNTING BAR        |
| CPH C | 2 | CAP FOR VERTICAL GRAPHIC BAR |



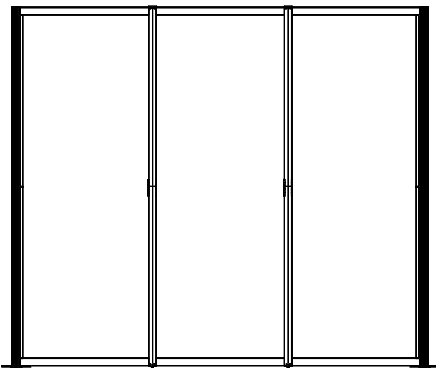
**LINEAR**



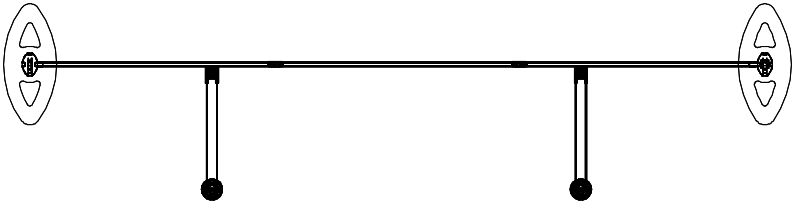
| Code | # | Description |
|------|---|-------------|
| L5-2 | 1 | GRAPHICS    |
| L5-1 | 1 | GRAPHICS    |
| L5-3 | 1 | GRAPHICS    |



LINEAR



| Code      | # | Description                               |
|-----------|---|---|
| LV3 LIGHT | 2 | GREY SKINNY LIGHT WITH OSRAM TITAN 50W LA |



**LIGHT DETAIL**

LIGHT CLIP

HORIZONTAL GRAPHIC BAR

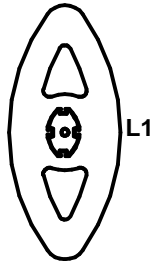
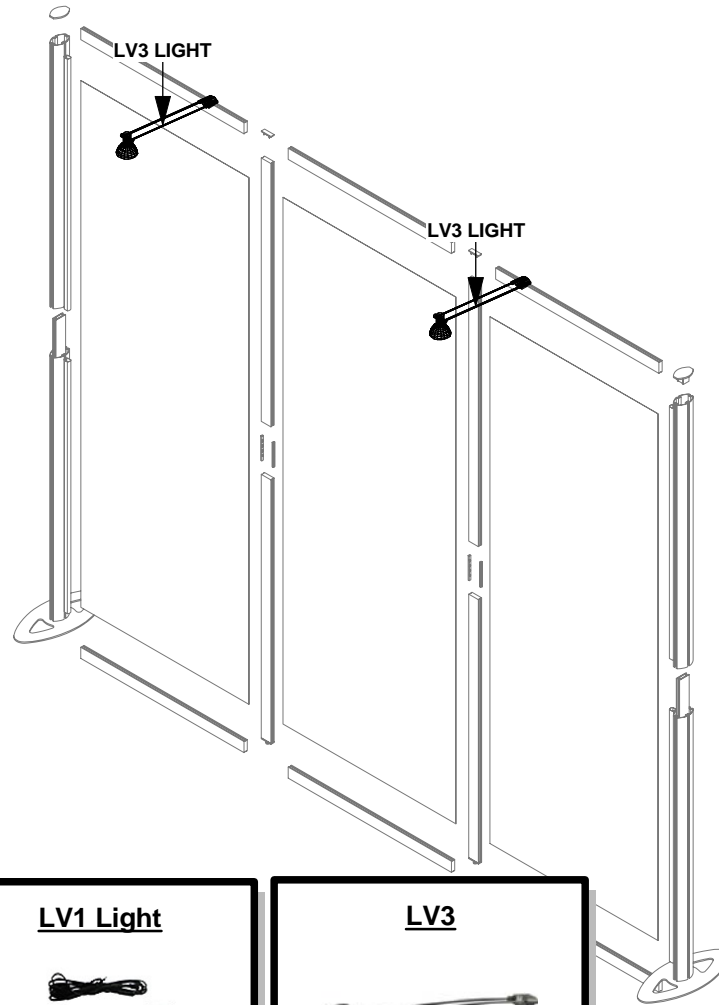
L10 LIGHT

LV1 LIGHT

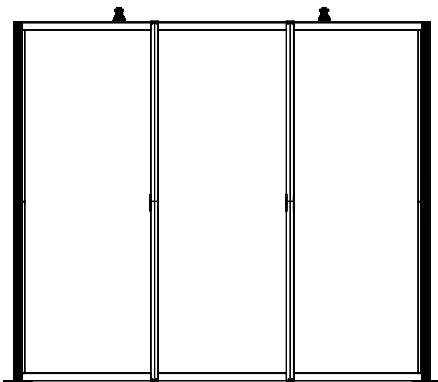
LV3 LIGHT

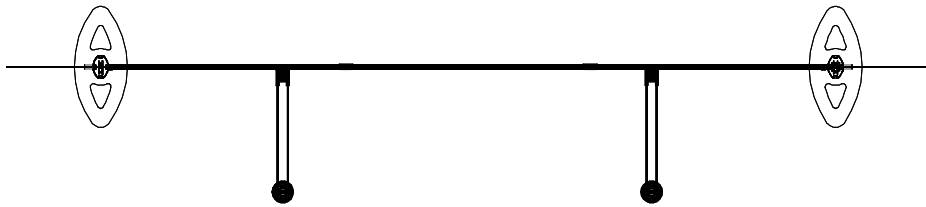
LIGHT CLIP

Slide the light clip into the channel at an angle and then gently lower down. Then slide the LV3 Light onto the light clip.

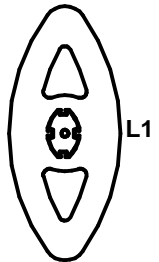


**LINEAR**





| Code  | #  | Description |
|-------|----|-------------|
| CKAPS | 14 | STANDOFFS   |
| L11-2 | 1  | GRAPHICS    |
| L11-4 | 1  | GRAPHICS    |
| L11-6 | 1  | GRAPHICS    |
| L11-5 | 1  | GRAPHICS    |
| L11-3 | 1  | GRAPHICS    |
| L11-1 | 1  | GRAPHICS    |
| L11-7 | 1  | GRAPHICS    |



L1



L2



L9



L3 / L4



L4-1

LINEAR

