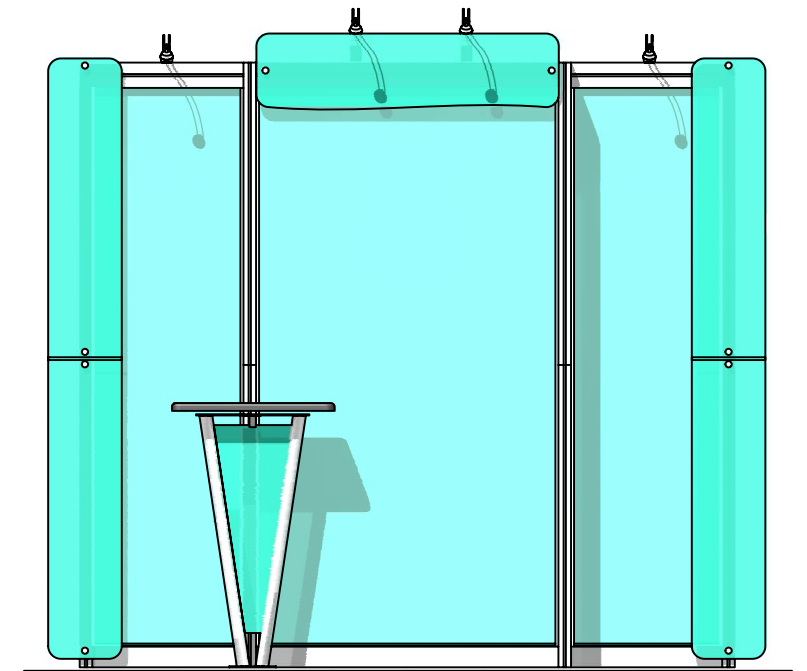
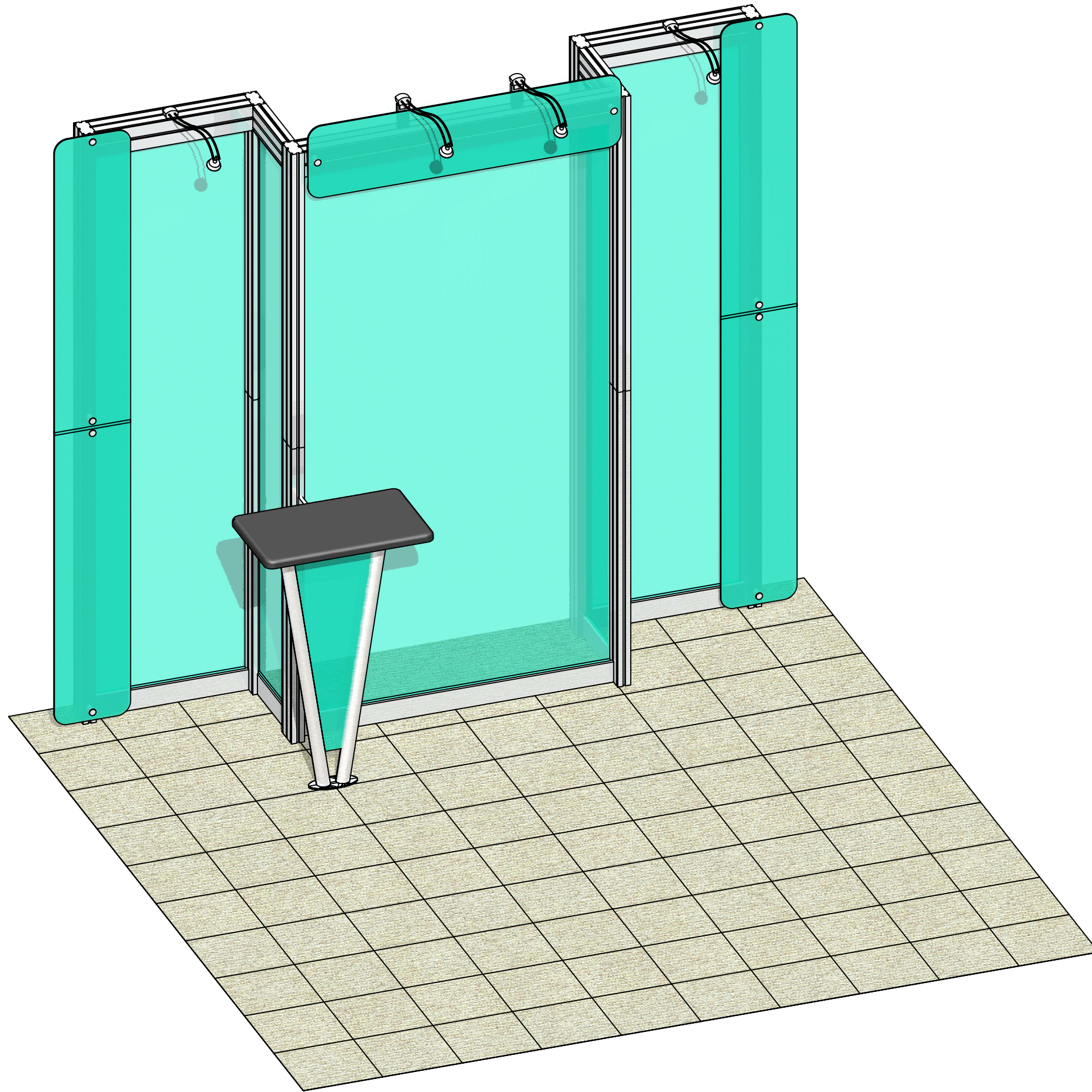


# LINEAR 33

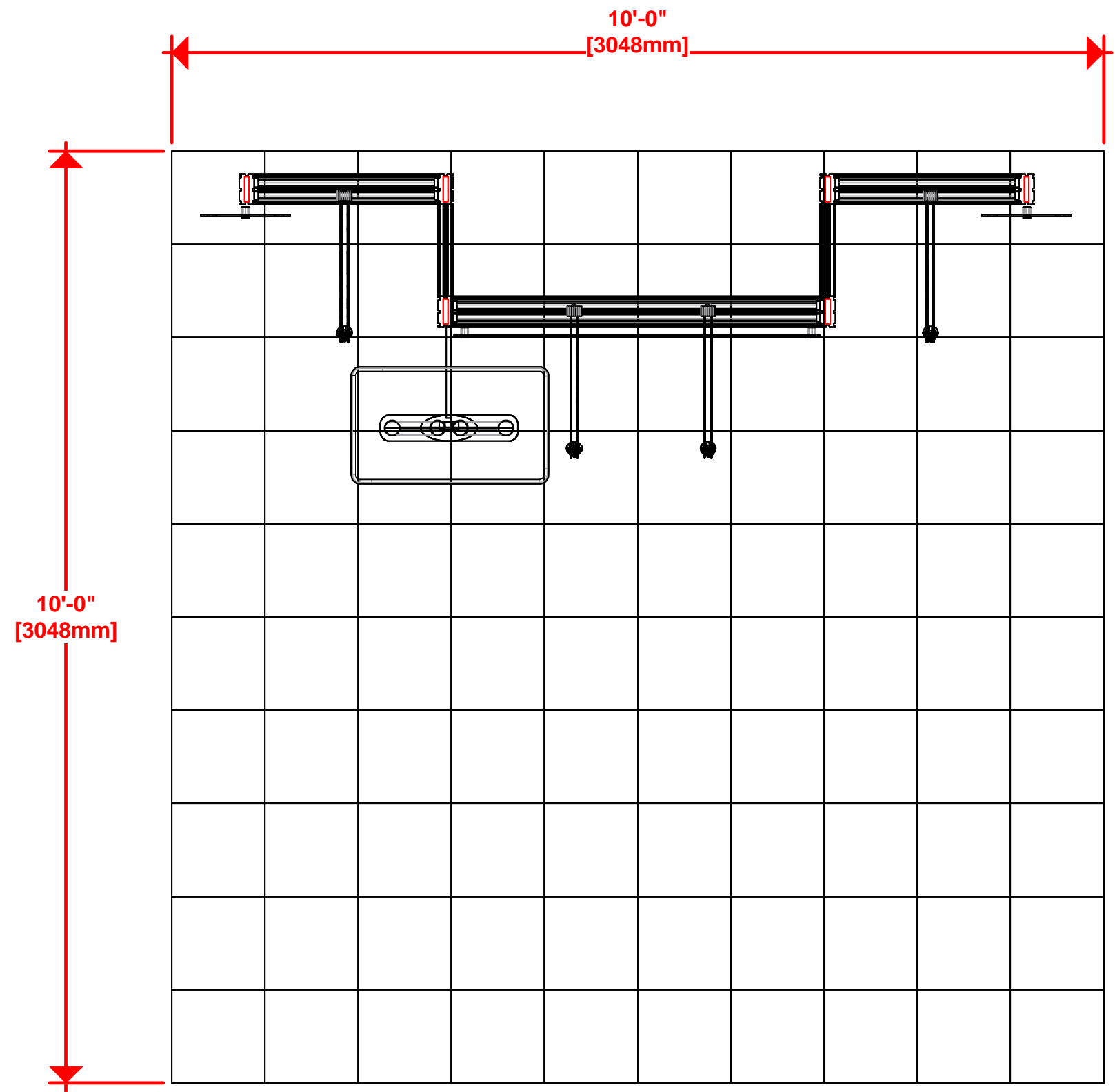


## SET-UP NOTES

1. Redesign of this exhibit without approval by manufacture may result in dangerous and unsafe structures. The manufacture disclaims any responsibility for redesigned exhibits it does not approve in writing.
2. Parts and components such as panels and extrusions are manufactured to metric sizing. Where ever possible sizes have been noted in feet and inches as well as in metric. Below is the imperial to metric sizing table as reference. "Nominal" refers to approximate size.

### IMPERIAL TO METRIC SIZES

**8' Nominal = 94 1/2" or 2400mm Actual**  
**4' Nominal = 47 1/4" or 1200mm Actual**  
**3' Nominal = 35 7/16" or 900mm Actual**  
**2' Nominal = 23 5/8" or 600mm Actual**  
**1' Nominal = 11 13/16" or 300mm Actual**

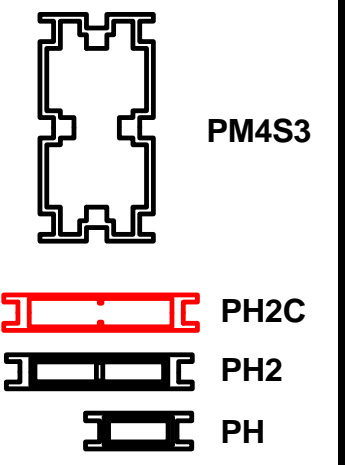


1. Redesign of this exhibit without approval by manufacture may result in dangerous and unsafe structures. Manufacture disclaims any responsibility for redesigned exhibits it does not approve in writing.

2. Parts and components such as panels and extrusions are manufactured to metric sizing. Where ever possible sizes have been noted in feet and inches as well as in metric. Below is the imperial to metric sizing table as reference. "Nominal" refers to approximate size.

2400mm = (94 1/2")	☒ Phone Line / Fax
2100mm = (82 5/8")	☒ Internet connection
1800mm = (70 7/8")	☒ Outlet
1500mm = (59")	☒ Main Drop (point of distrution)
1200mm = (47 1/4")	
900mm = (35 1/2")	
600mm = (23 5/8")	
300mm = (11 7/8")	

--- Wire running under carpet

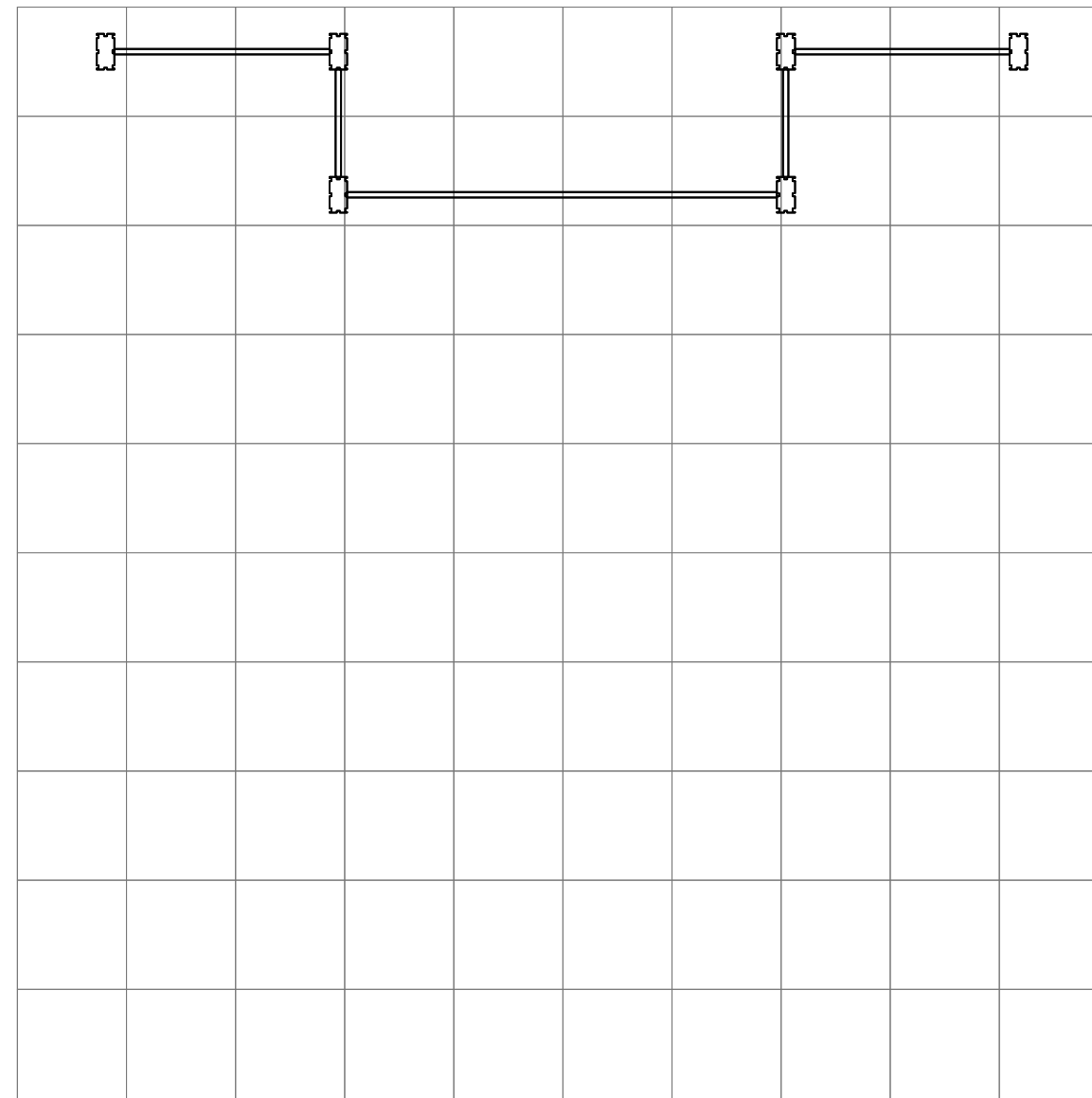
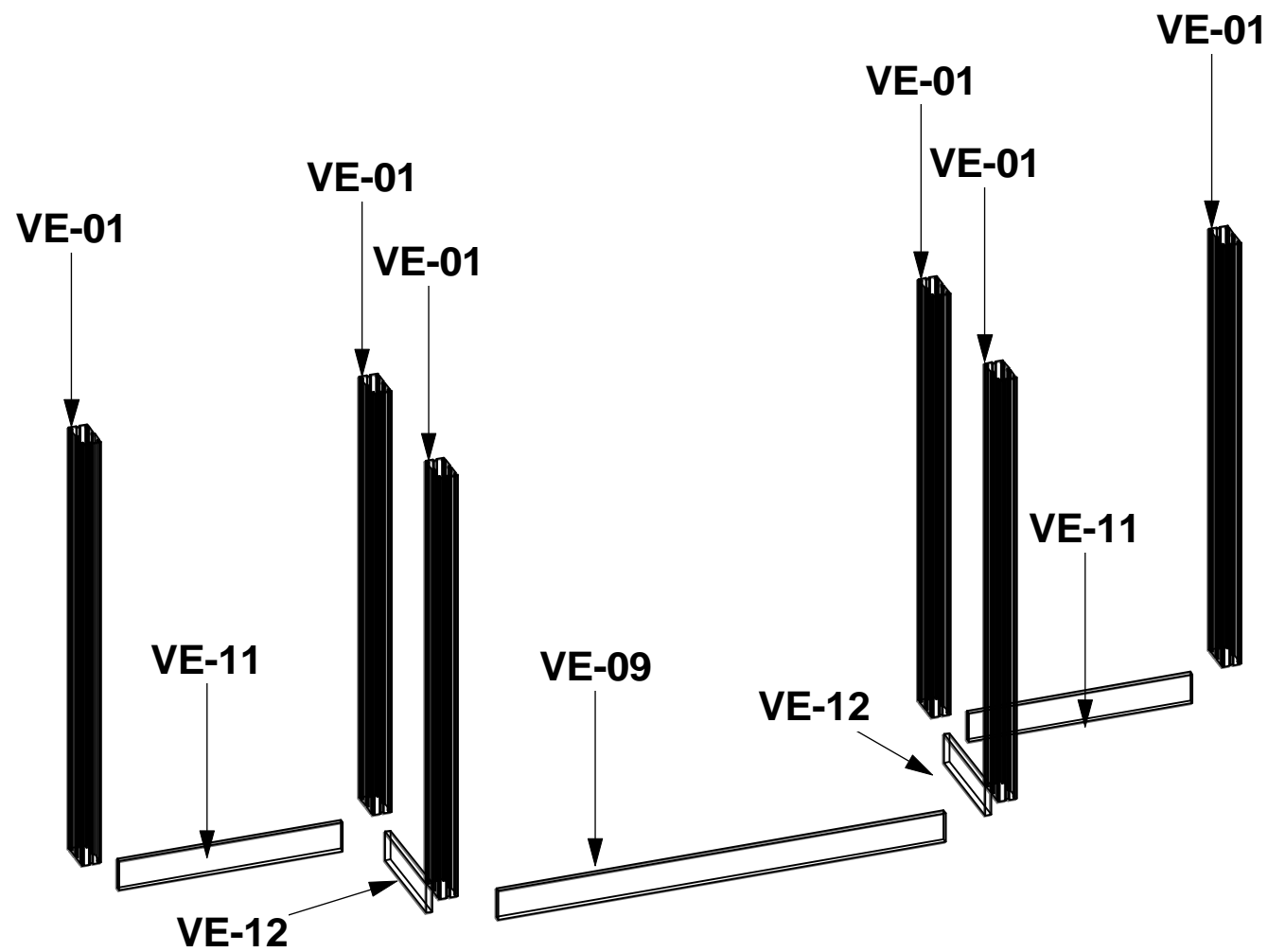
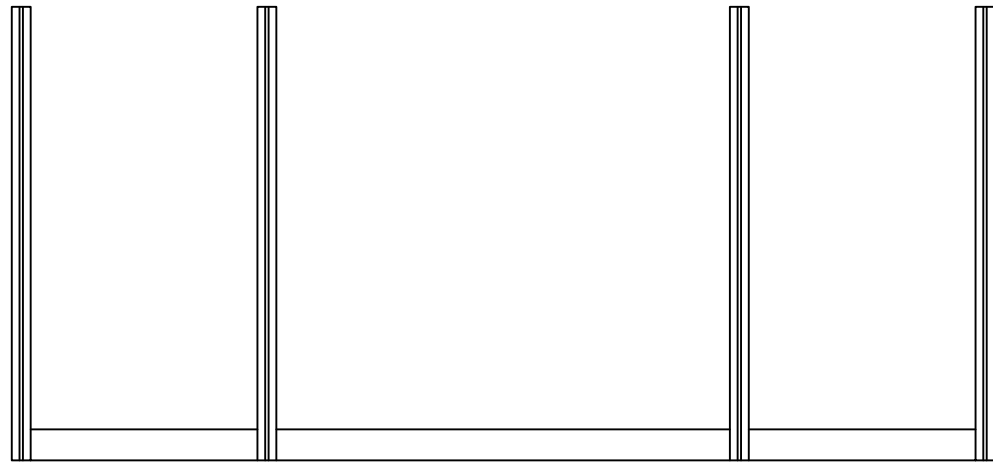


**LINEAR 33**

Title: SET-UP INSTRUCTIONS

EP

Code	#	Description
VE-01	6	PM4S3-1200 (47 1/4") WITH SET SCREW AT 152MM BOTH ENDS
VE-11	2	600MM (23 5/8") PH2 WITH SLIDE LOCKS AT BOTH ENDS
VE-12	2	300MM (11 13/16") PH2 WITH SLIDE LOCKS AT BOTH ENDS
VE-09	1	1200MM (47 1/4") PH2 WITH SLIDE LOCKS AT BOTH ENDS

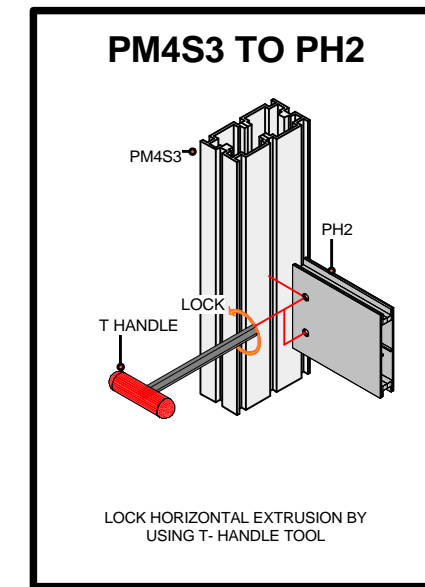
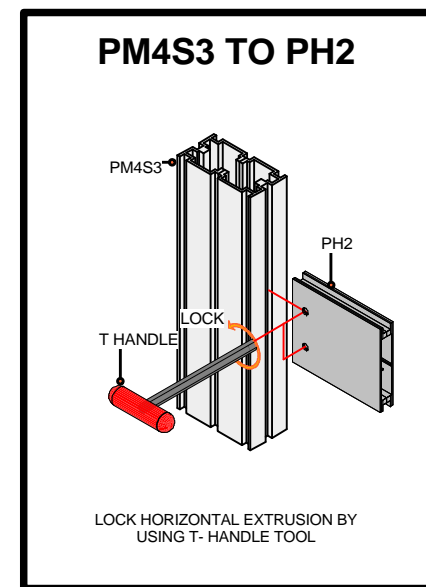
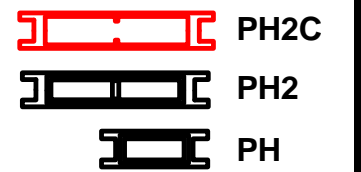
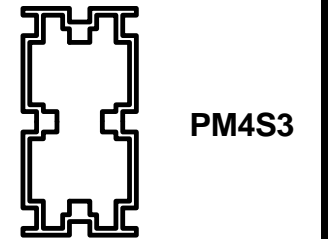


1. Redesign of this exhibit without approval by manufacture may result in dangerous and unsafe structures. Manufacture disclaims any responsibility for redesigned exhibits it does not approve in writing.

2. Parts and components such as panels and extrusions are manufactured to metric sizing. Where ever possible sizes have been noted in feet and inches as well as in metric. Below is the imperial to metric sizing table as reference. "Nominal" refers to approximate size.

2400mm = (94 1/2")	Phone Line / Fax
2100mm = (82 5/8")	Internet connection
1800mm = (70 7/8")	Outlet
1500mm = (59")	Main Drop (point of distrution)
1200mm = (47 1/4")	
900mm = (35 1/2")	
600mm = (23 5/8")	
300mm = (11 7/8")	

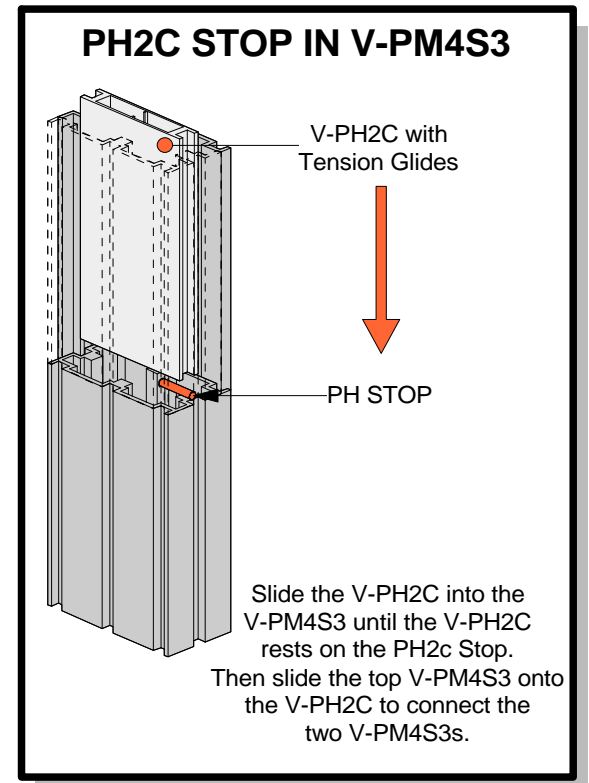
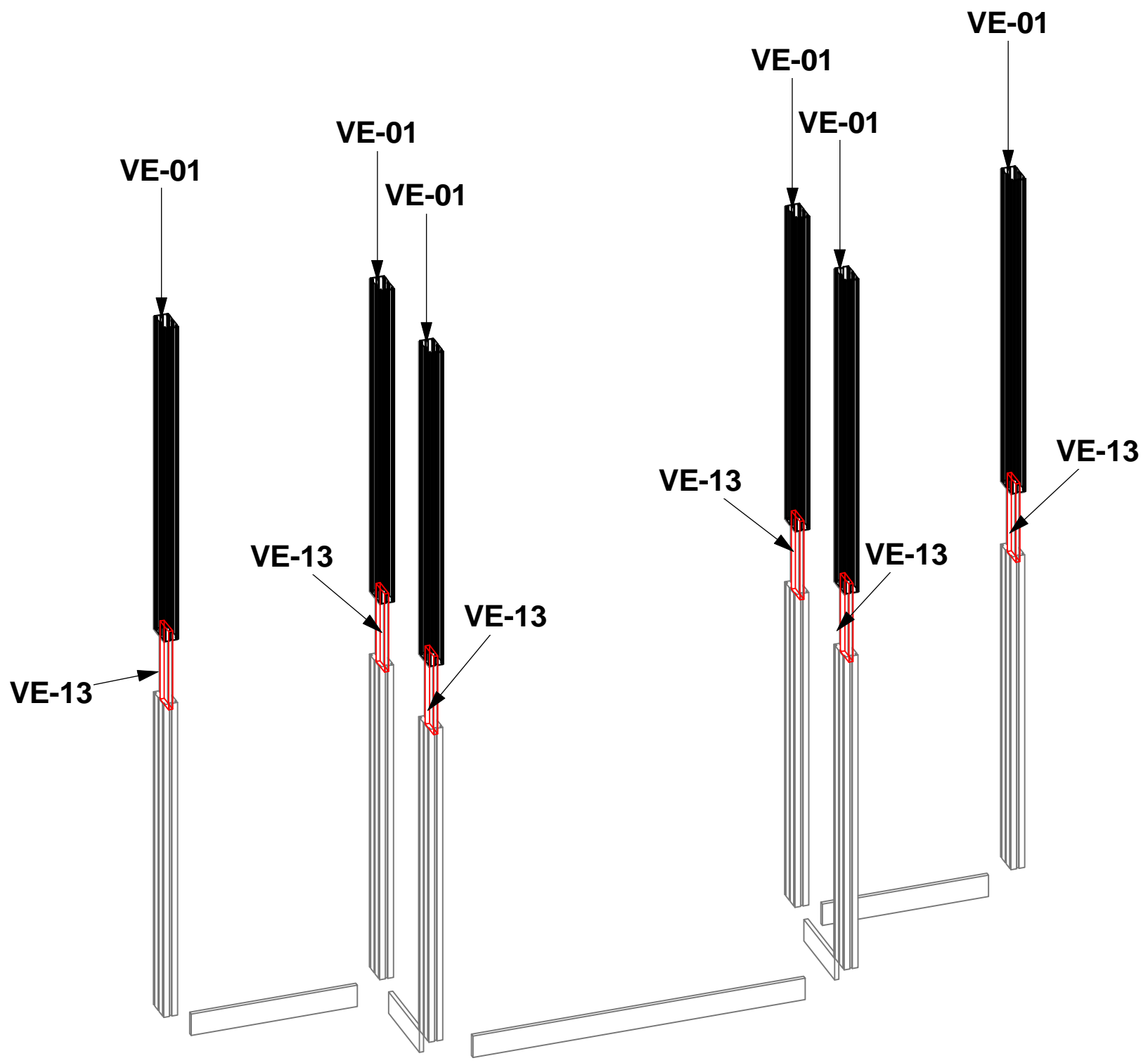
--- Wire running under carpet



LINEAR 33

Title: SET-UP INSTRUCTIONS

Code	#	Description
VE-01	6	PM4S3-1200 (47 1/4") WITH SET SCREW AT 152MM
VE-13	6	PH2C 300MM[11 3/4"] VERTICAL POST CONNECTOR

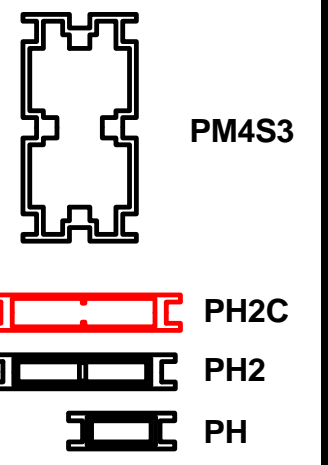


1. Redesign of this exhibit without approval by manufacture may result in dangerous and unsafe structures. Manufacture disclaims any responsibility for redesigned exhibits it does not approve in writing.

2. Parts and components such as panels and extrusions are manufactured to metric sizing. Where ever possible sizes have been noted in feet and inches as well as in metric. Below is the imperial to metric sizing table as reference. "Nominal" refers to approximate size.

2400mm = (94 1/2")	Phone Line / Fax
2100mm = (82 5/8")	Internet connection
1800mm = (70 7/8")	Outlet
1500mm = (59")	Main Drop (point of distrution)
1200mm = (47 1/4")	
900mm = (35 1/2")	
600mm = (23 5/8")	
300mm = (11 7/8")	

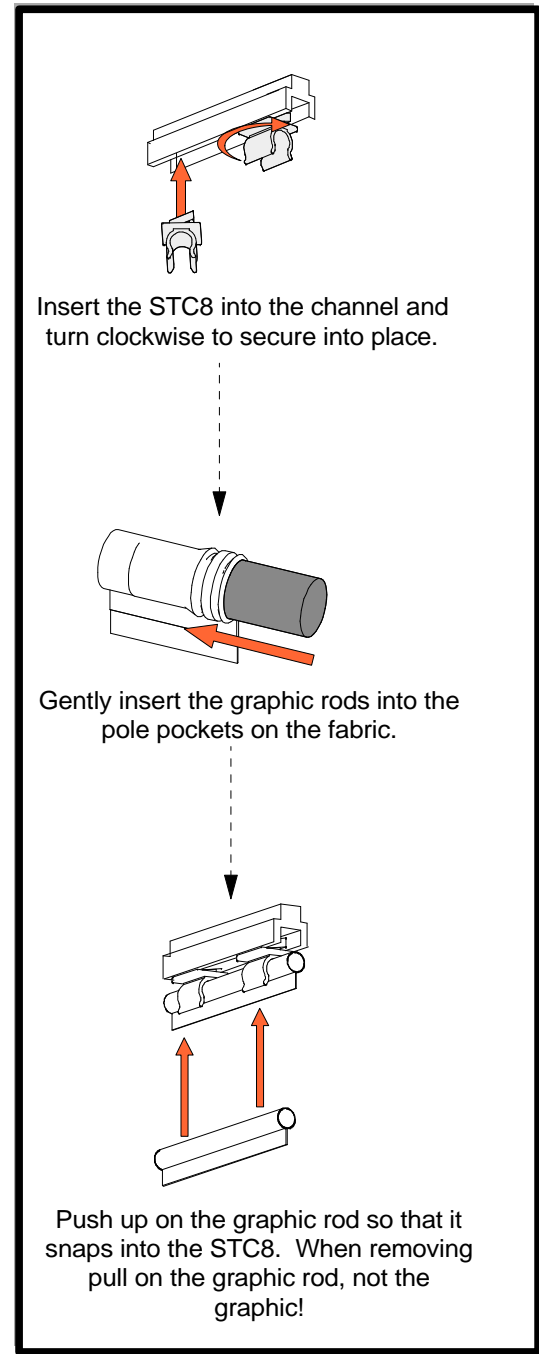
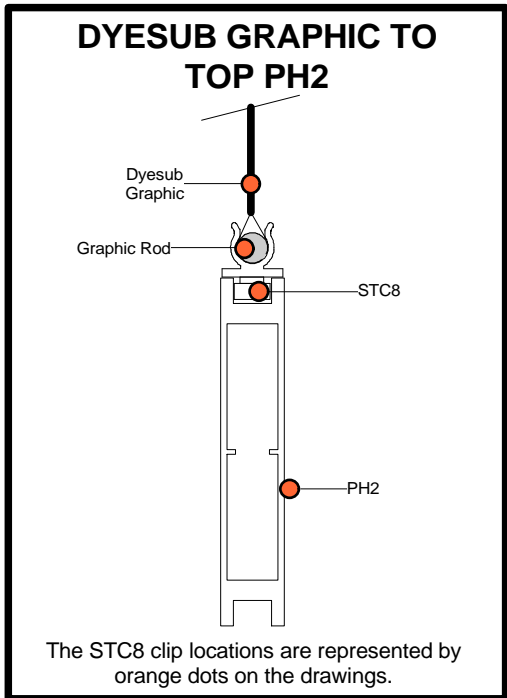
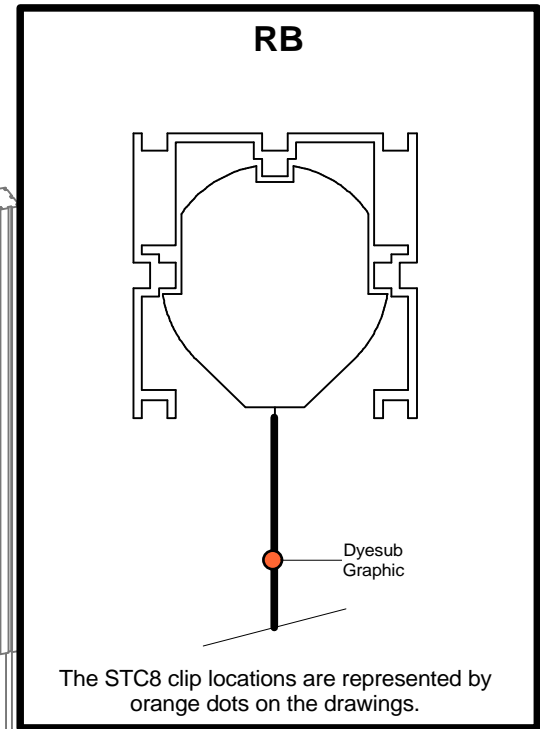
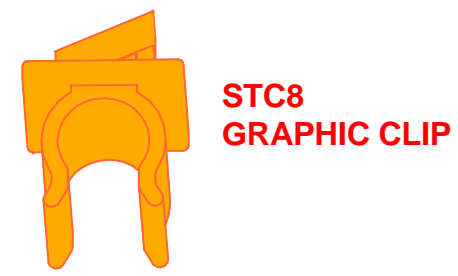
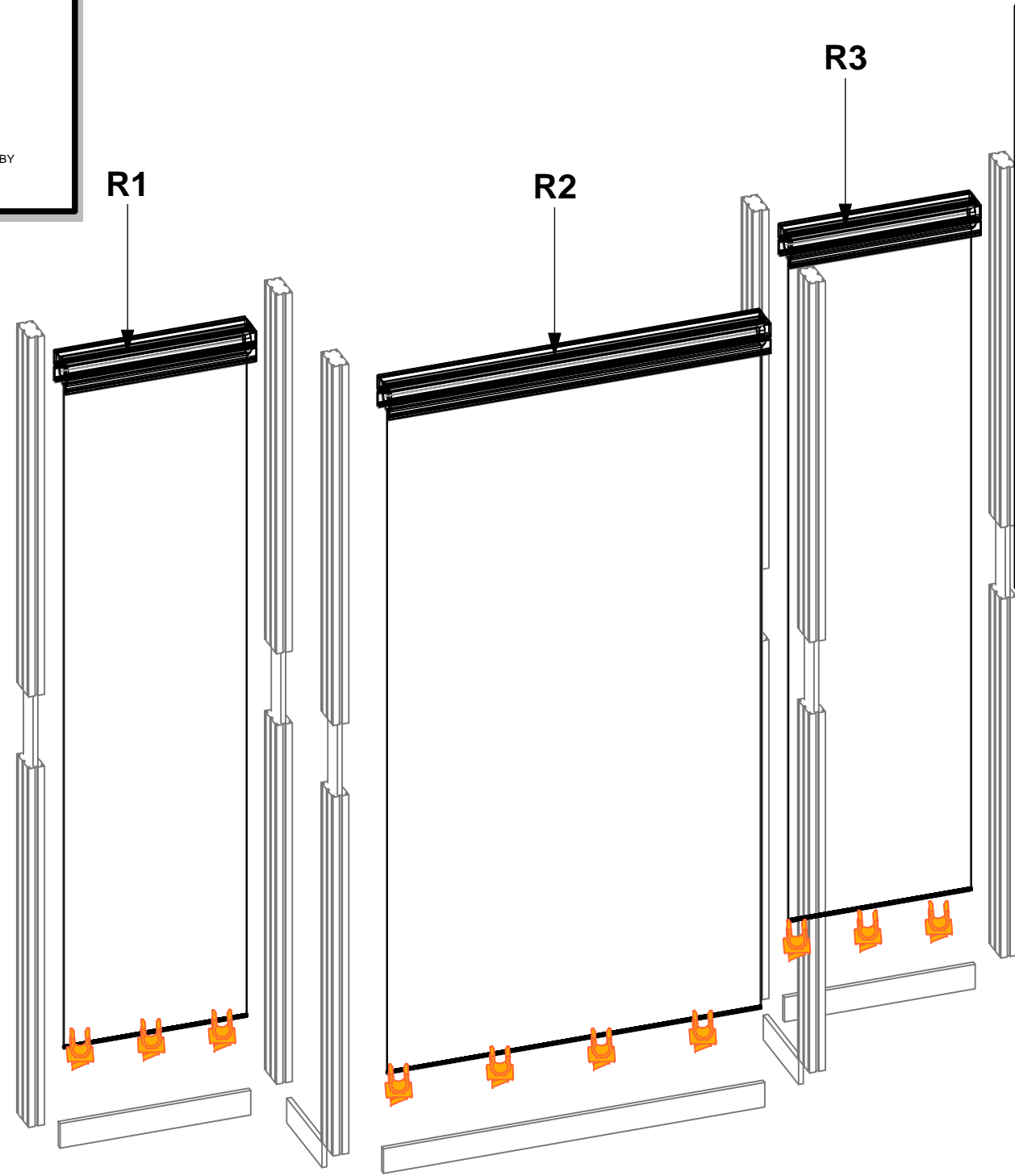
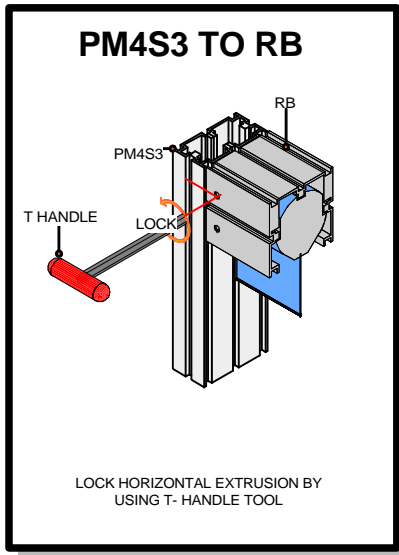
--- Wire running under carpet



**LINEAR 33**

Title: SET-UP INSTRUCTIONS

Code	#	Description
R1	1	600MM (23 5/8") PM4 ROLLER BANNER WITH LOCKS BOTH ENDS
R2	1	1200MM (47 1/4") PM4 ROLLER BANNER WITH LOCKS BOTH ENDS
R3	1	600MM (23 5/8") PM4 ROLLER BANNER WITH LOCKS BOTH ENDS

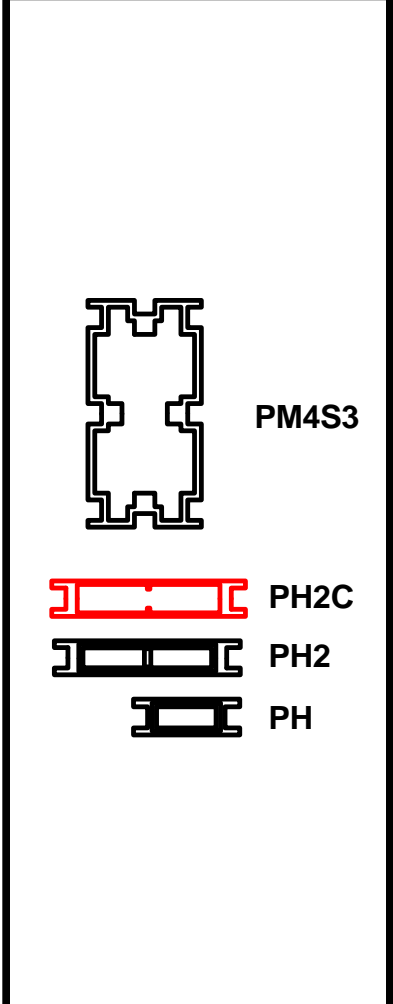


1. Redesign of this exhibit without approval by manufacture may result in dangerous and unsafe structures. Manufacture disclaims any responsibility for redesigned exhibits it does not approve in writing.

2. Parts and components such as panels and extrusions are manufactured to metric sizing. Where ever possible sizes have been noted in feet and inches as well as in metric. Below is the imperial to metric sizing table as reference. "Nominal" refers to approximate size.

2400mm = (94 1/2")	Phone Line / Fax
2100mm = (82 5/8")	Internet connection
1800mm = (70 7/8")	Outlet
1500mm = (59")	Main Drop (point of distrution)
1200mm = (47 1/4")	
900mm = (35 1/2")	
600mm = (23 5/8")	
300mm = (11 7/8")	

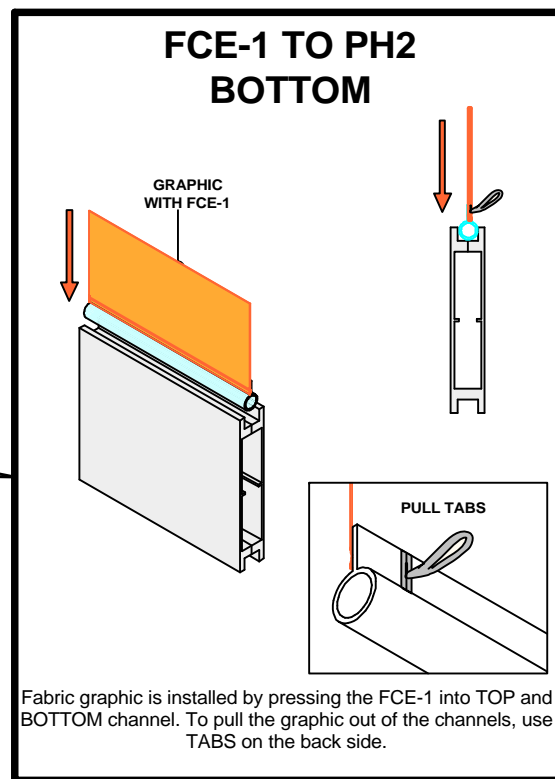
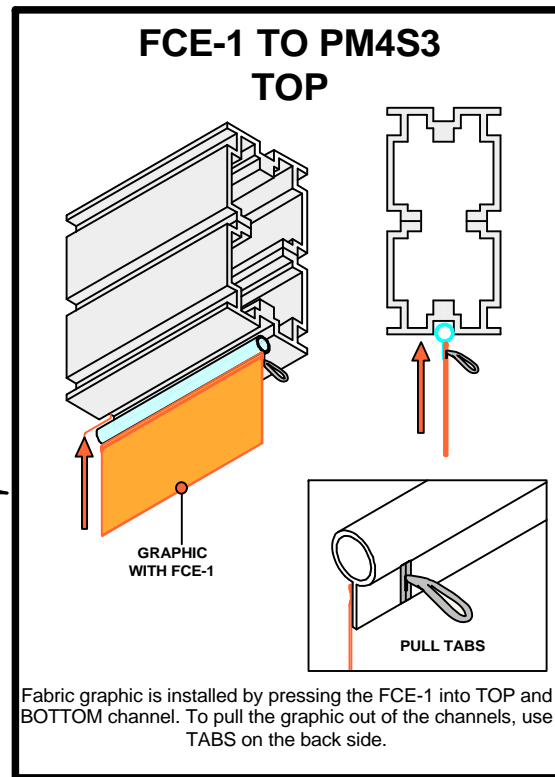
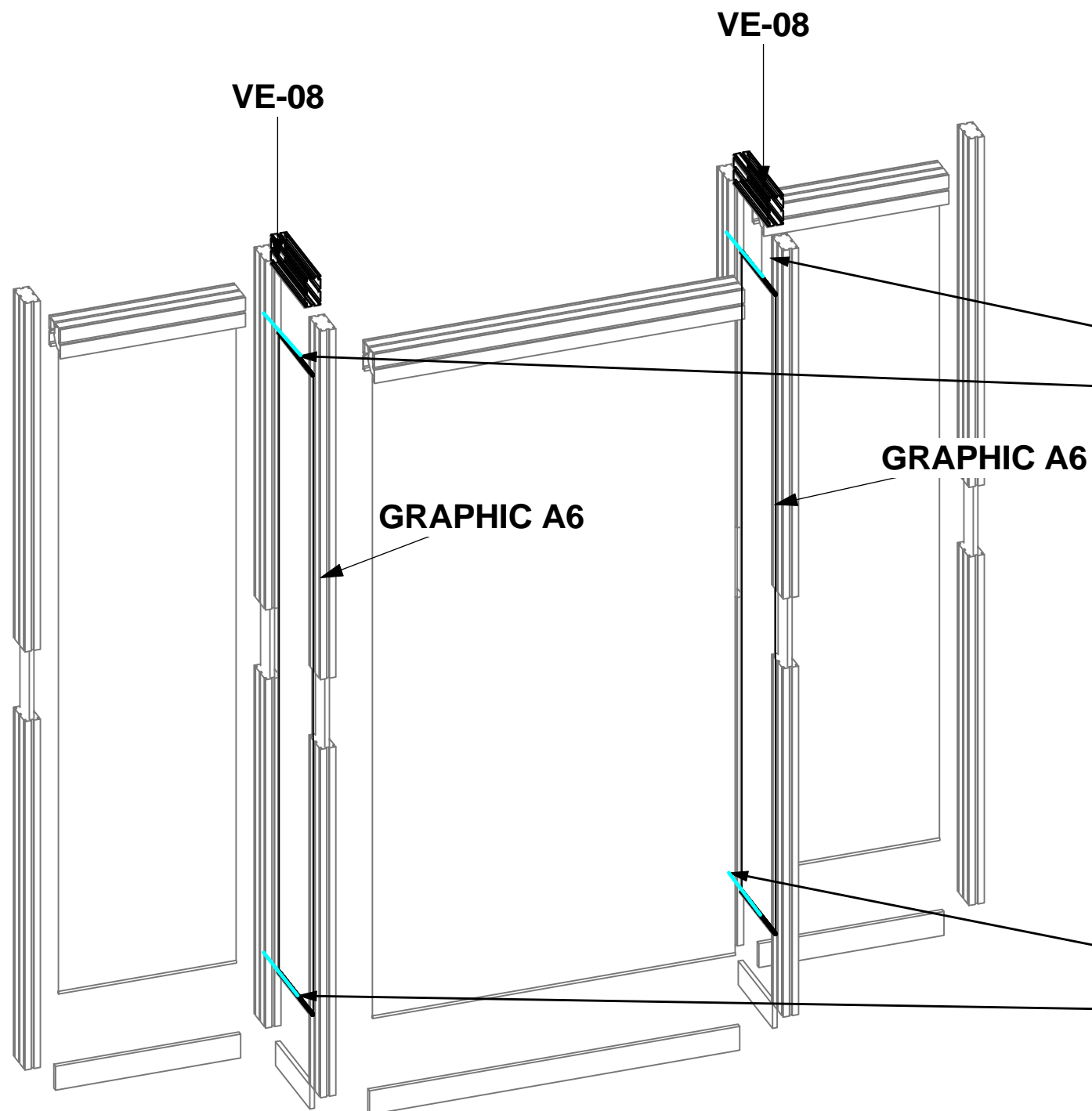
--- Wire running under carpet



**LINEAR 33**

Title: SET-UP INSTRUCTIONS

Code	#	Description
VE-08	2	300MM (11 13/16") PM4S3 LOCKS BOTH ENDS
	2	
GRAPHIC A6	2	2213MM(V) X 300MM (87 1/8" X 11 13/16") DYE-SUB

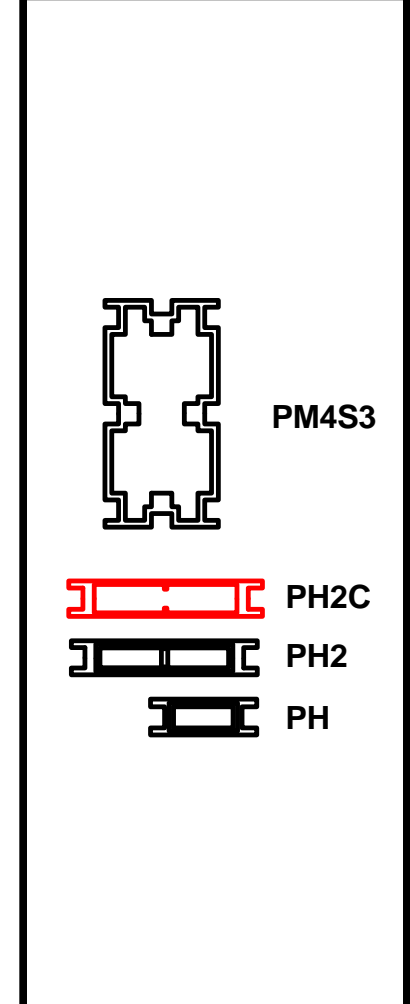


1. Redesign of this exhibit without approval by manufacture may result in dangerous and unsafe structures. Manufacture disclaims any responsibility for redesigned exhibits it does not approve in writing.

2. Parts and components such as panels and extrusions are manufactured to metric sizing. Where ever possible sizes have been noted in feet and inches as well as in metric. Below is the imperial to metric sizing table as reference. "Nominal" refers to approximate size.

2400mm = (94 1/2")	Phone Line / Fax
2100mm = (82 5/8")	Internet connection
1800mm = (70 7/8")	Outlet
1500mm = (59")	Main Drop (point of distrution)
1200mm = (47 1/4")	
900mm = (35 1/2")	
600mm = (23 5/8")	
300mm = (11 7/8")	

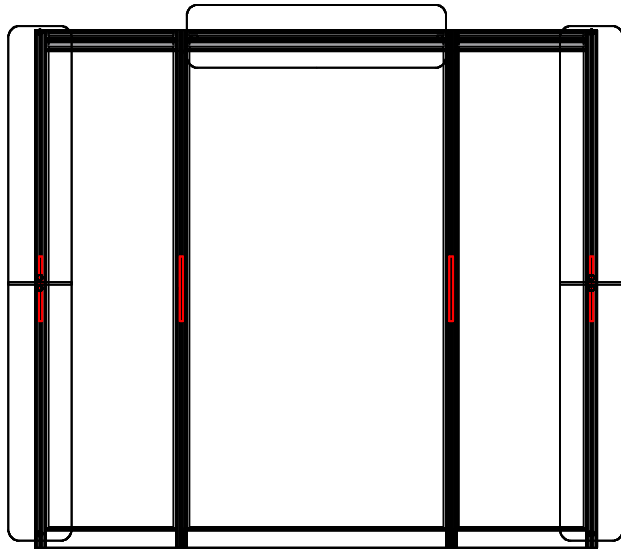
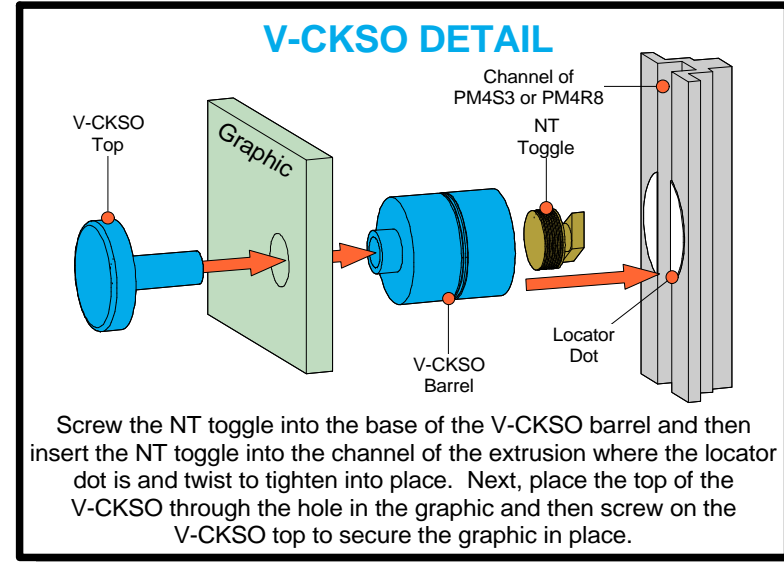
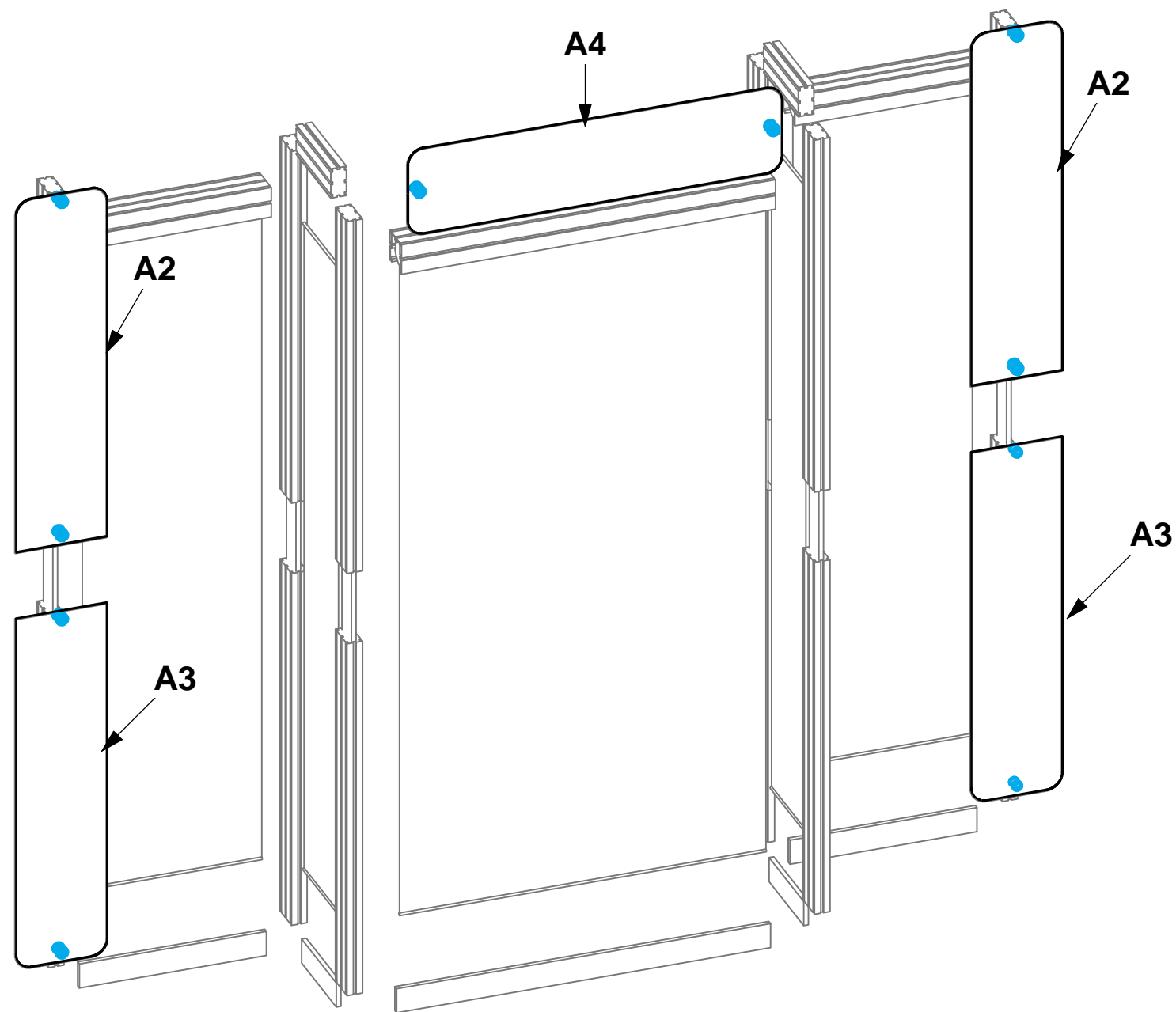
--- Wire running under carpet



LINEAR 33

Title: SET-UP INSTRUCTIONS

Code	#	Description
V-CKSO	10	25.4MM (1") DIAMETER X 25.4MM (1") STAND OFF
V-SN-R-03	1	292MM X 1200MM (11 1/2" X 47 1/4") RECTANGLE SHAPED SINTRA/FOAM
A4	1	292MM X 1200MM (11 1/2" X 47 1/4") RECTANGLE DSG GRAPHIC &V-CKS
V-SN-R-04	4	292MM X 1200MM (11 1/2" X 47 1/4") 1/2 RECTANGLE SHAPED SINTRA/
A2	2	292MM X 1200MM (11 1/2" X 47 1/4") 1/2 RECTANGLE DSG GRAPHIC &V
A3	2	292MM X 1200MM (11 1/2" X 47 1/4") 1/2 RECTANGLE DSG GRAPHIC &V

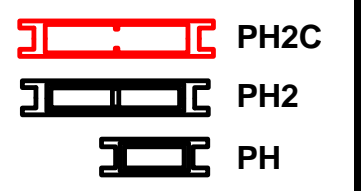
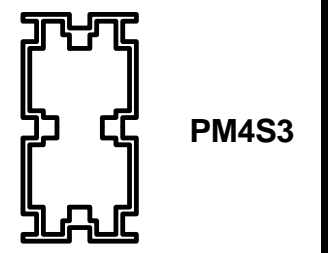


1. Redesign of this exhibit without approval by manufacture may result in dangerous and unsafe structures. Manufacture disclaims any responsibility for redesigned exhibits it does not approve in writing.

2. Parts and components such as panels and extrusions are manufactured to metric sizing. Where ever possible sizes have been noted in feet and inches as well as in metric. Below is the imperial to metric sizing table as reference. "Nominal" refers to approximate size.

2400mm = (94 1/2")	☎ Phone Line / Fax
2100mm = (82 5/8")	🌐 Internet connection
1800mm = (70 7/8")	🔌 Outlet
1500mm = (59")	⚠ Main Drop (point of distrution)
1200mm = (47 1/4")	
900mm = (35 1/2")	
600mm = (23 5/8")	
300mm = (11 7/8")	

--- Wire running under carpet

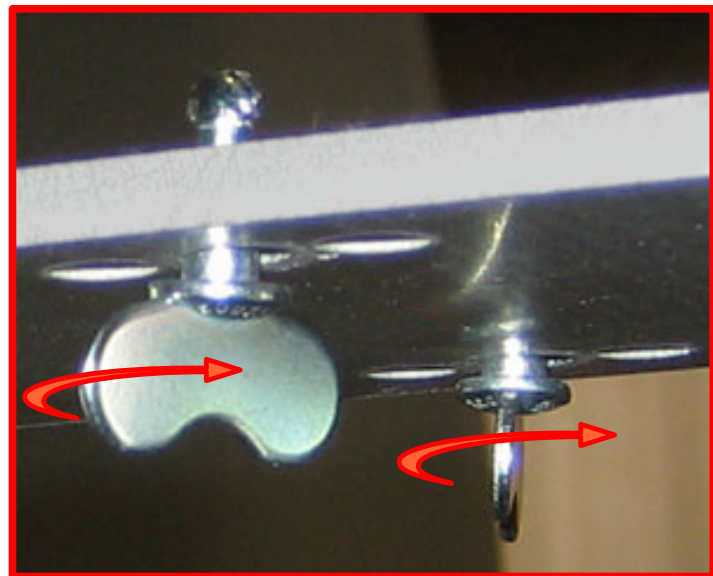
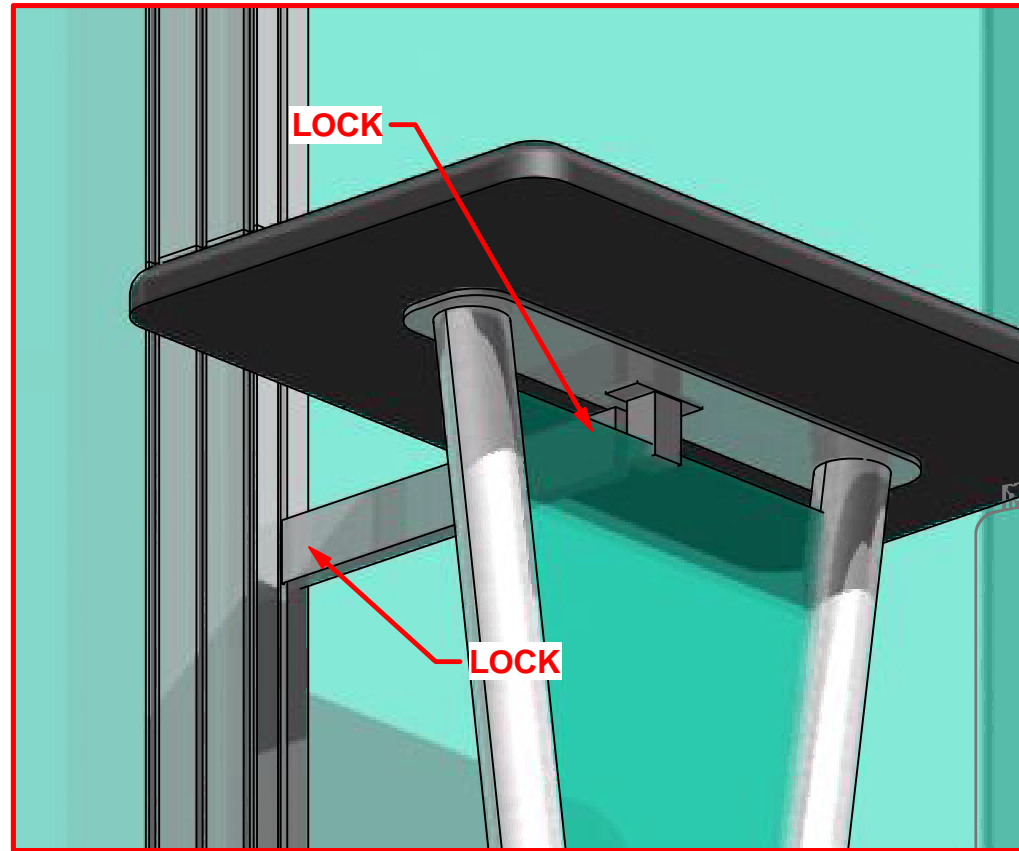


**LINEAR 33**

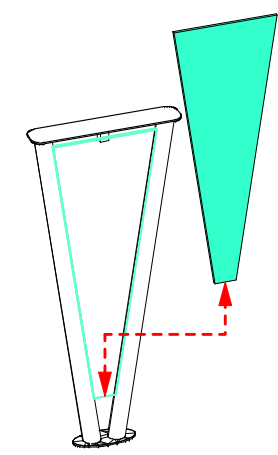
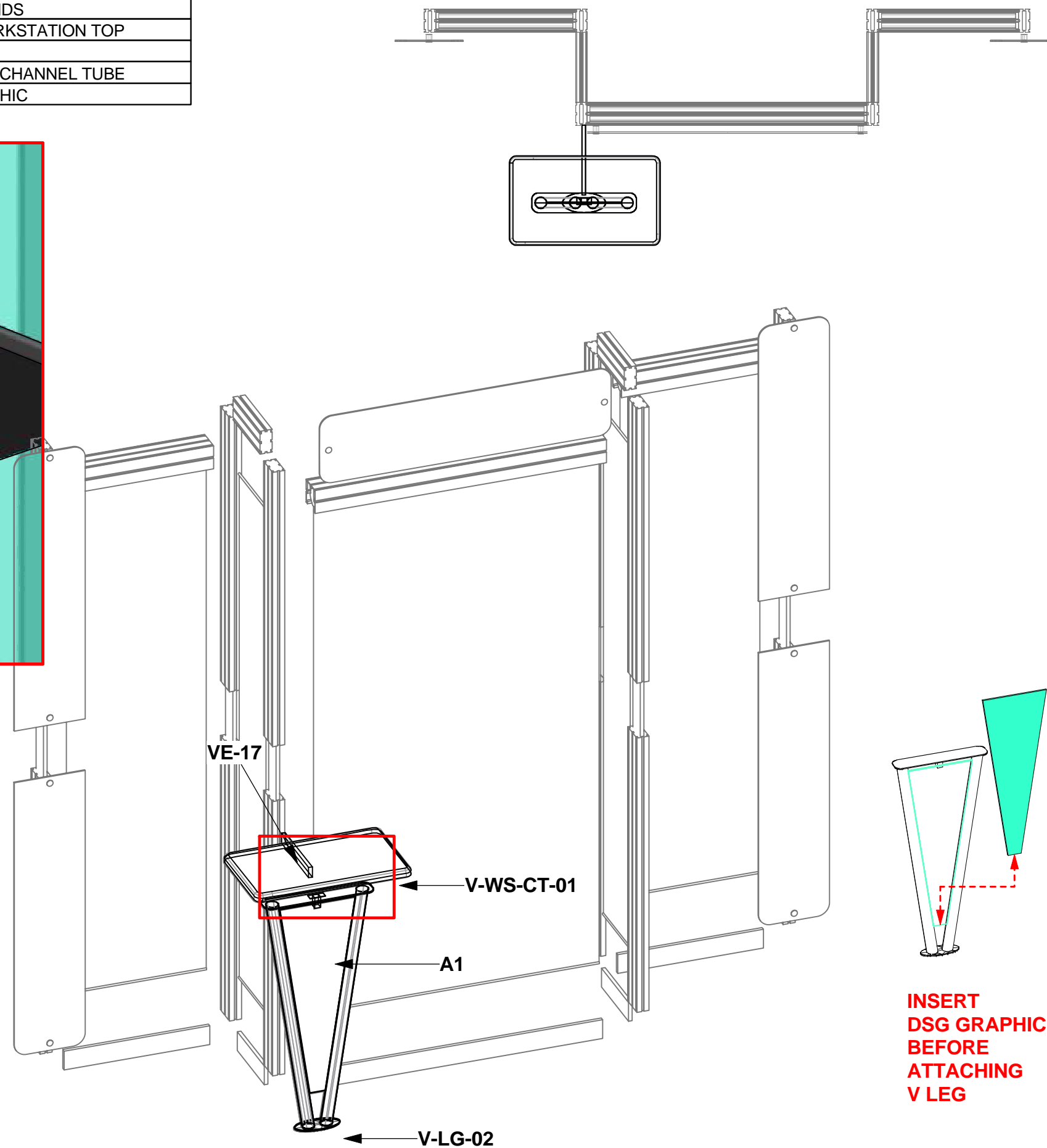
Title: SET-UP INSTRUCTIONS



Code	#	Description
VE-17	1	300MM (11 13/16") PH WITH SLIDE LOCK AT BOTH ENDS
V-WS-CT-01	1	500MM X 538MM (19 11/16" X 21 3/16") TAPERED WORKSTATION TOP
V-MOD-LEG-2	1	
V-LG-02	1	1005MM X 450MM (39 9/16" X 17 23/32") V LEG 50MM CHANNEL TUBE
A1	1	825MM X 311MM (32 1/2" X 12 1/4") V LEG DSG GRAPHIC



Insert the thumb connector into the bottom of the counter top and make a 1/4 turn clockwise to tighten in place.



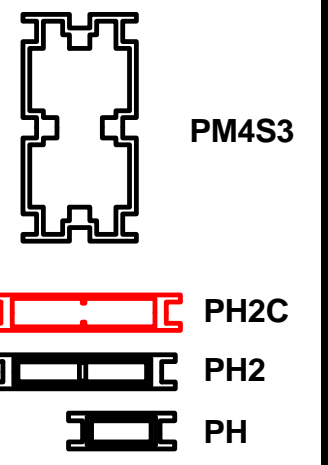
**INSERT  
DSG GRAPHIC  
BEFORE  
ATTACHING  
V LEG**

1. Redesign of this exhibit without approval by manufacture may result in dangerous and unsafe structures. Manufacture disclaims any responsibility for redesigned exhibits it does not approve in writing.

2. Parts and components such as panels and extrusions are manufactured to metric sizing. Where ever possible sizes have been noted in feet and inches as well as in metric. Below is the imperial to metric sizing table as reference. "Nominal" refers to approximate size.

2400mm = (94 1/2")	☒ Phone Line / Fax
2100mm = (82 5/8")	☒ Internet connection
1800mm = (70 7/8")	☒ Outlet
1500mm = (59")	☒ Main Drop (point of distrution)
1200mm = (47 1/4")	
900mm = (35 1/2")	
600mm = (23 5/8")	
300mm = (11 7/8")	

--- Wire running under carpet



LINEAR 33

Title: SET-UP INSTRUCTIONS

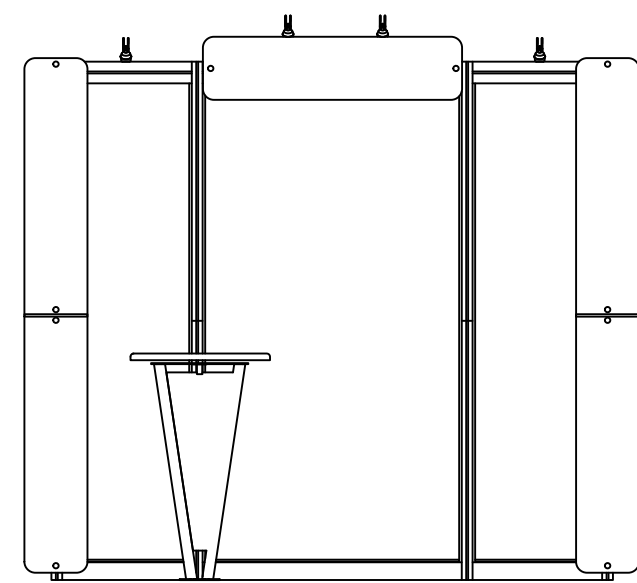
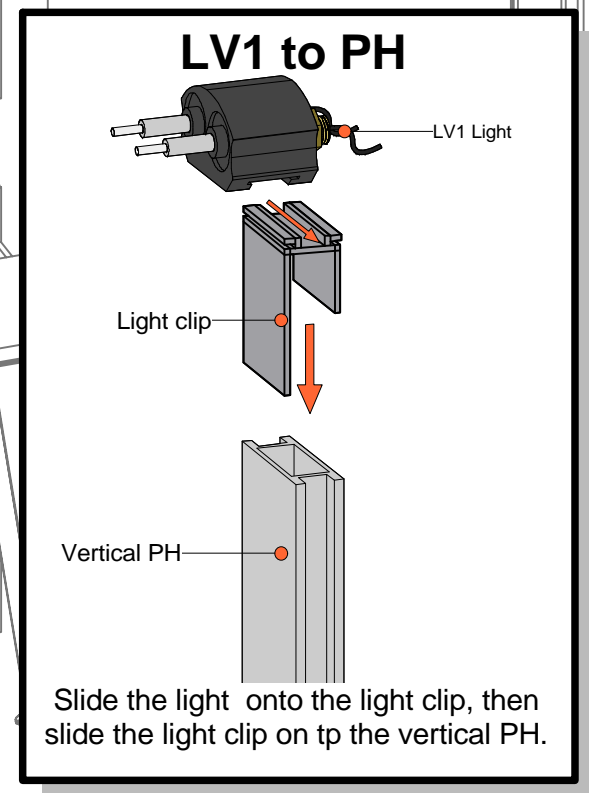
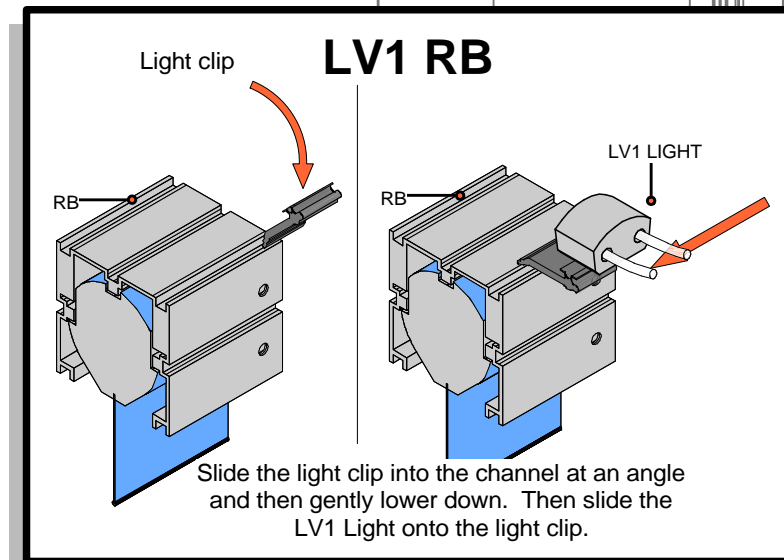
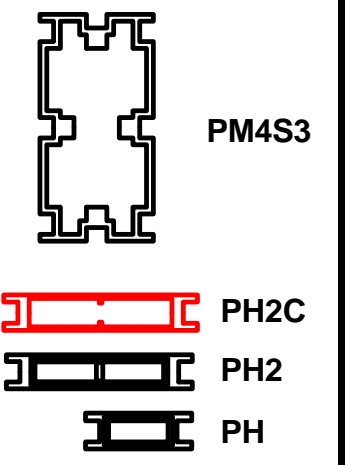
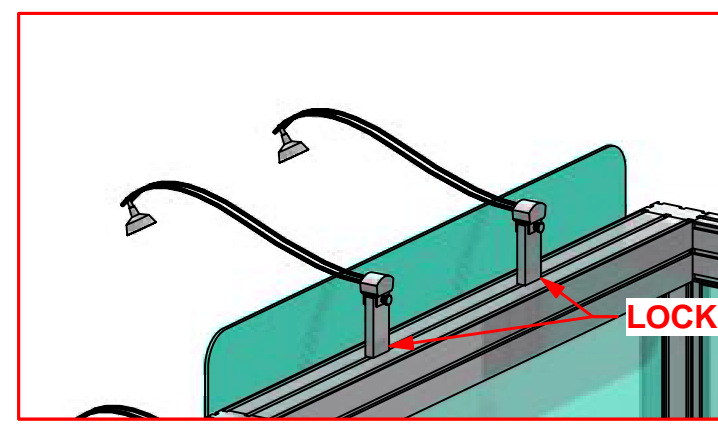
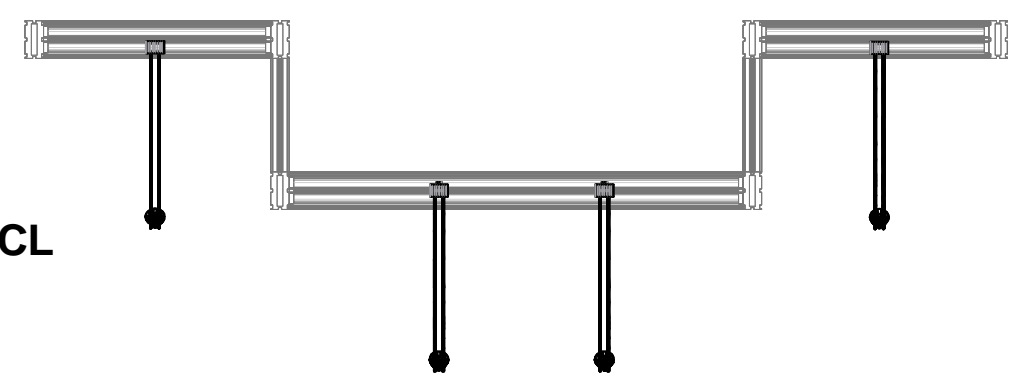
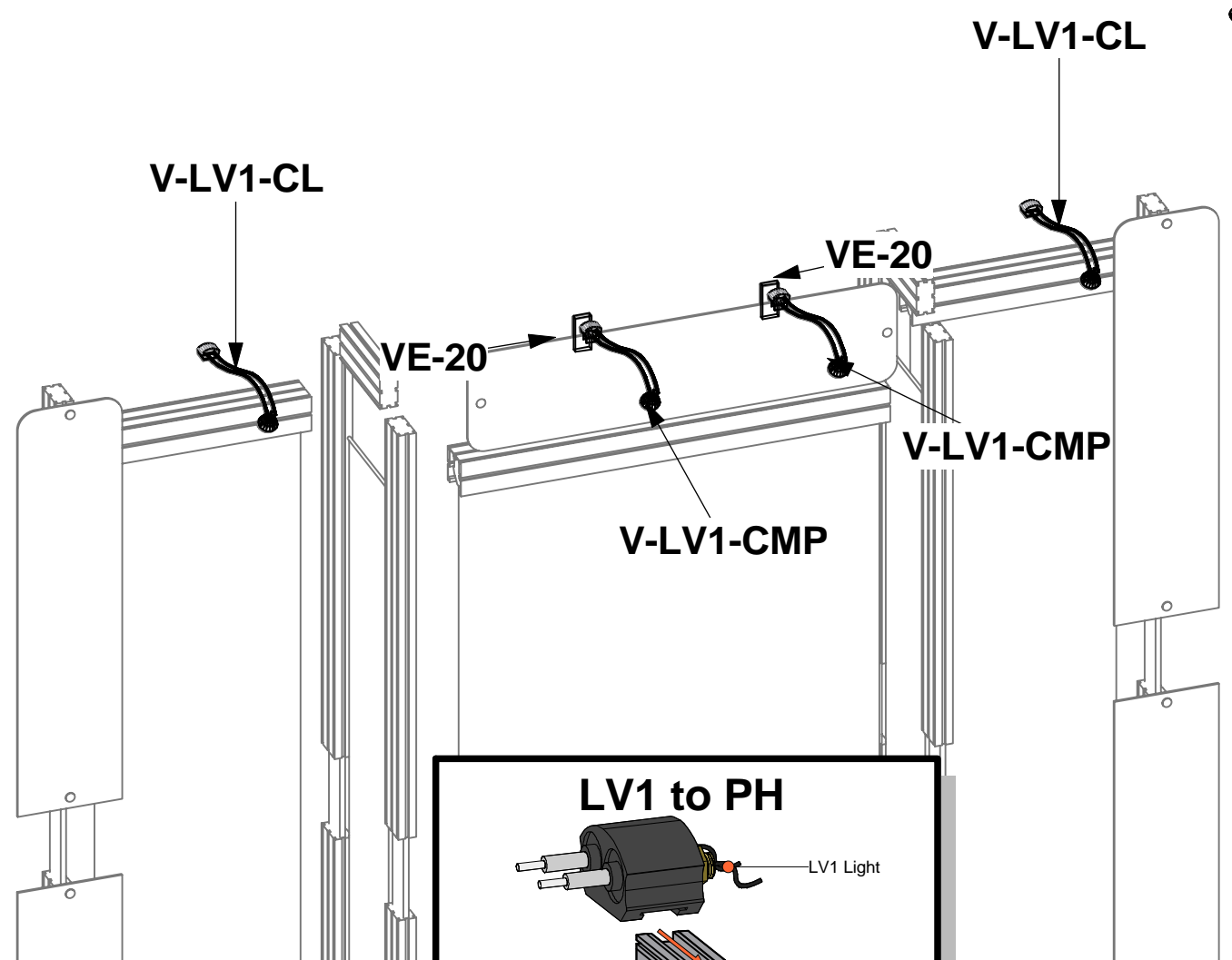
Code	#	Description
V-LV1-CL	2	LV1 WITH UNIVERSAL CLIP
VE-20	2	90 MM LIGHT LIFT FOR HEADER
V-LV1-CMP	2	LV1 WITH UNIVERSAL CLAMP

1. Redesign of this exhibit without approval by manufacture may result in dangerous and unsafe structures. Manufacture disclaims any responsibility for redesigned exhibits it does not approve in writing.

2. Parts and components such as panels and extrusions are manufactured to metric sizing. Where ever possible sizes have been noted in feet and inches as well as in metric. Below is the imperial to metric sizing table as reference. "Nominal" refers to approximate size.

2400mm = (94 1/2")	Phone Line / Fax
2100mm = (82 5/8")	Internet connection
1800mm = (70 7/8")	Outlet
1500mm = (59")	Main Drop (point of distrution)
1200mm = (47 1/4")	
900mm = (35 1/2")	
600mm = (23 5/8")	
300mm = (11 7/8")	

--- Wire running under carpet



**LINEAR 33**

Title: SET-UP INSTRUCTIONS