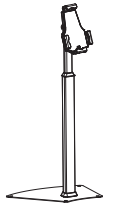
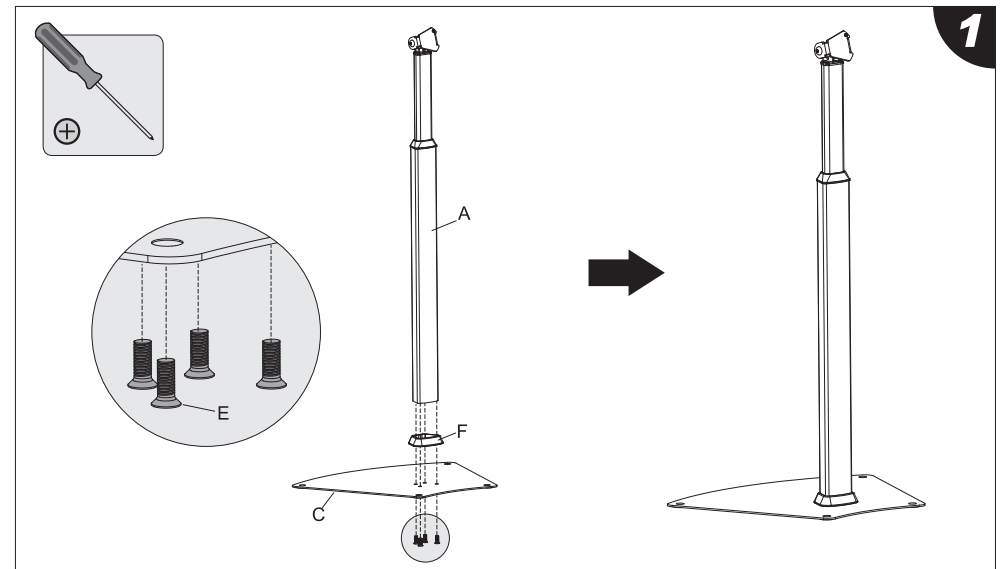


mi MOUNT-IT!

MI-3786 Installation Instruction



ITEM	DESCRIPTION/PART NO.	QUANTITY	ITEM	DESCRIPTION/PART NO.	QUANTITY
			G	M5x8(tamper-proof screw)	1
			H	EVA pad	2
A	pole	1	I	ST5.5x38	4
B	clamp holder	1	J	concrete anchor	4
C	base	1	K	TORX tool	1
D	key	1	L	TORX tool	1
E	M6x16	4	M	Allen key	1
F	plastic pad	1	N	cable clip	2
			O	cable clip	2



VISIT US AT MOUNT-IT.COM FOR PRODUCT REGISTRATION AND WARRANTY INFORMATION.
CONTACT US AT SUPPORT@MOUNT-IT.COM OR 855-925-5668 FOR QUESTIONS OR COMMENTS.

