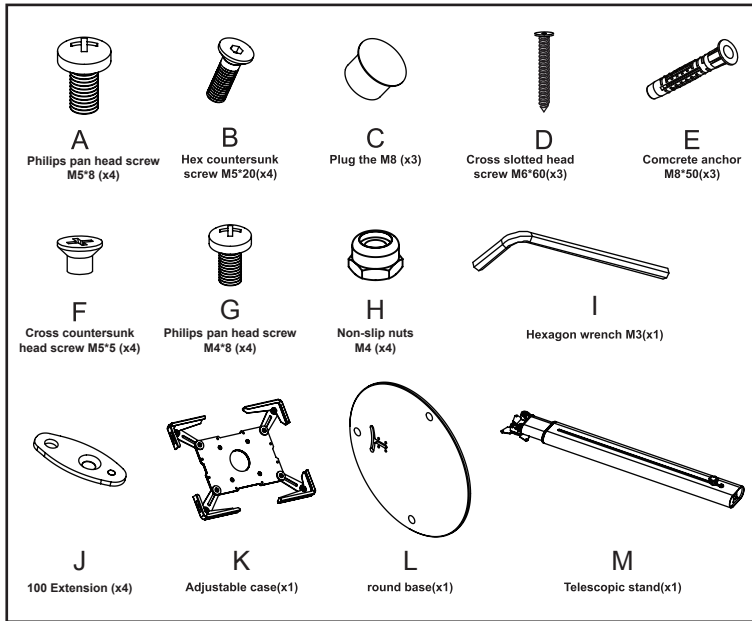
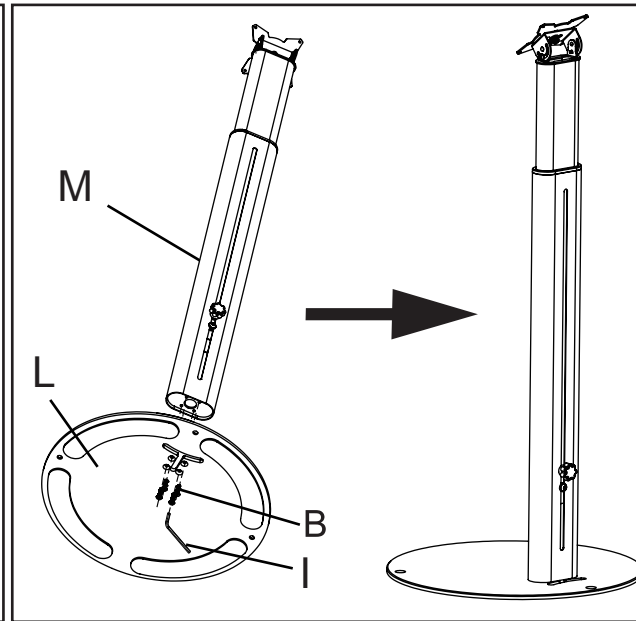


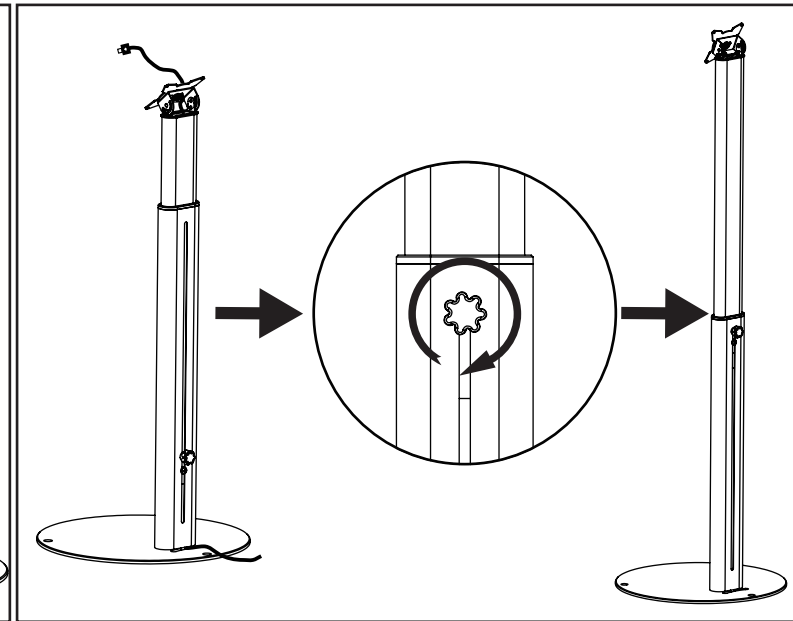
### Components :



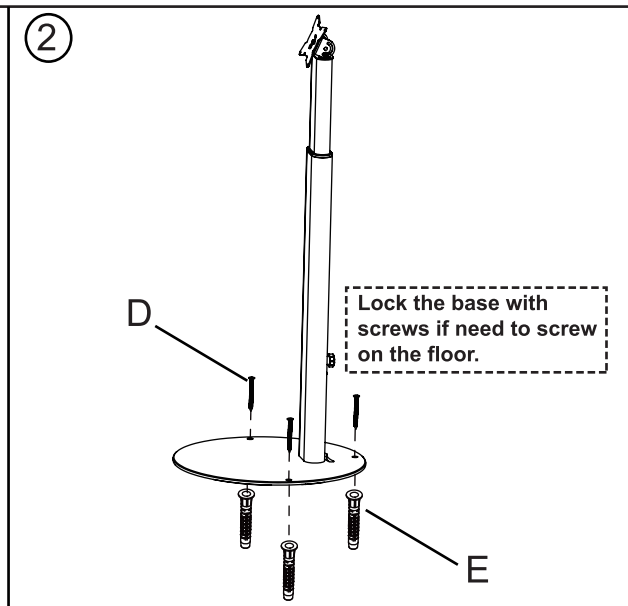
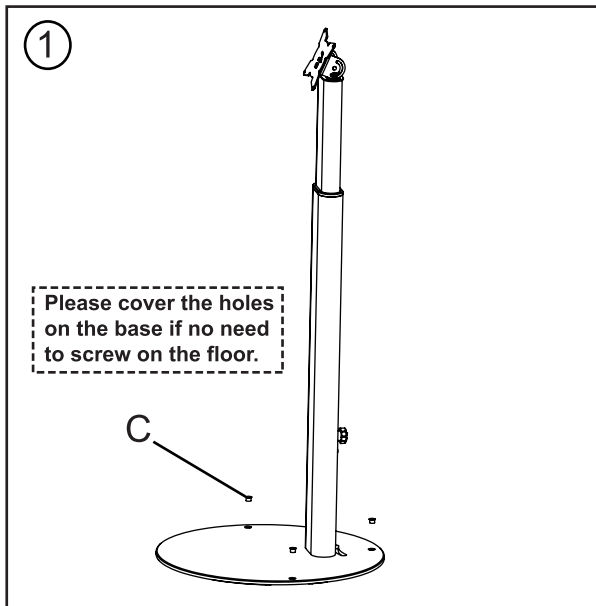
### STEP 1: Lock the stand to the base .



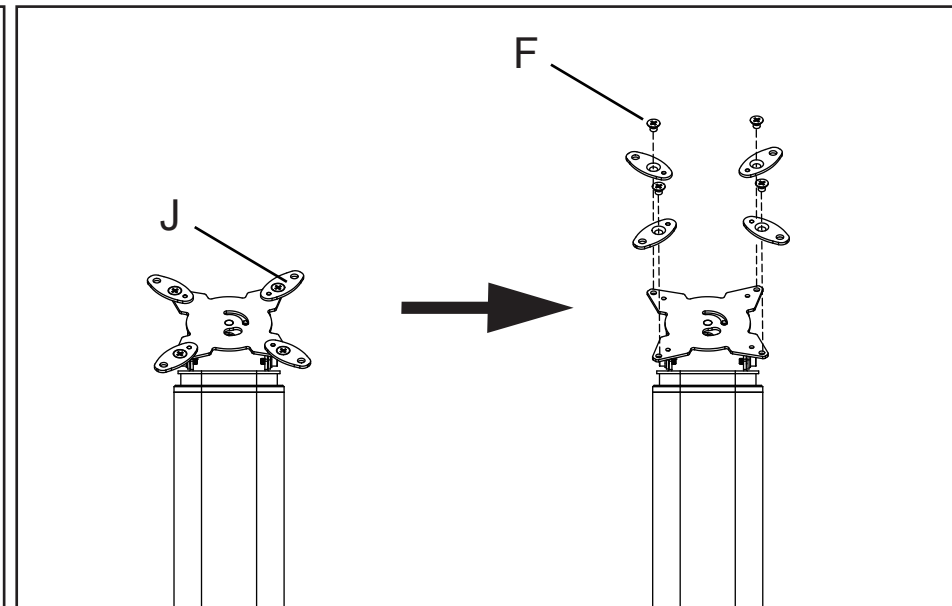
### STEP 2: Adjust to the required height and manage the cable.



### STEP 3: Two fixing ways.



### STEP 4: Optional to extend VESA 100x100 mm.



# STEP 5: Mount the tablet.

