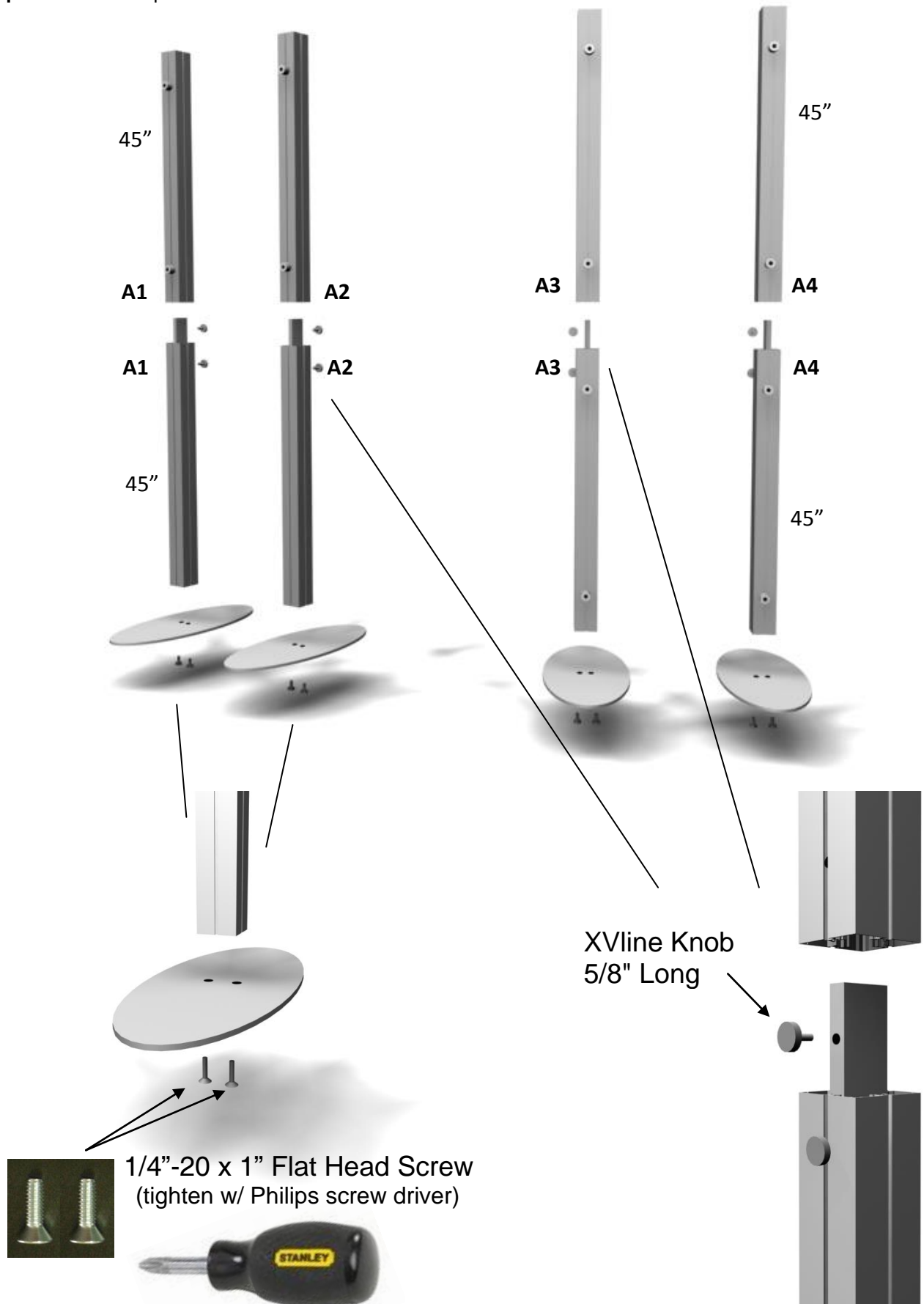
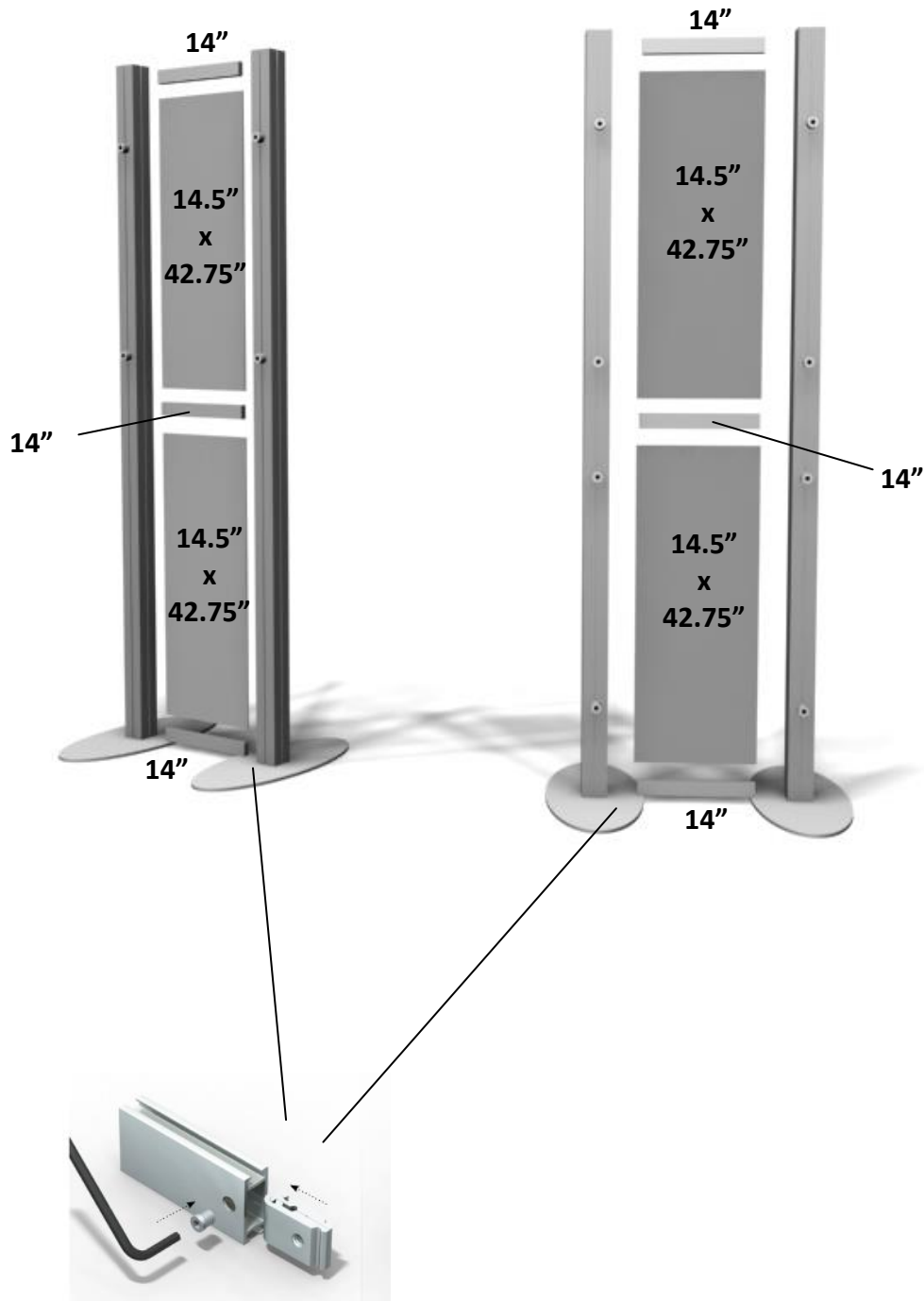


Step 1. Assemble 2-piece columns.



Step 2. Attach cross bars to columns.



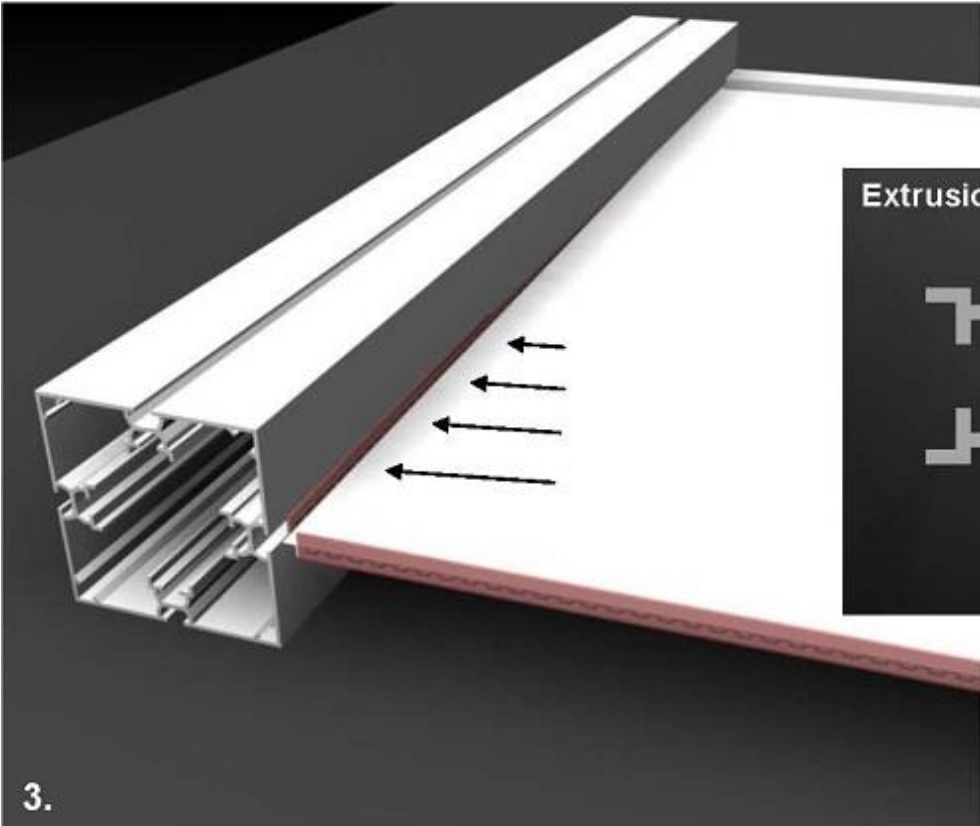
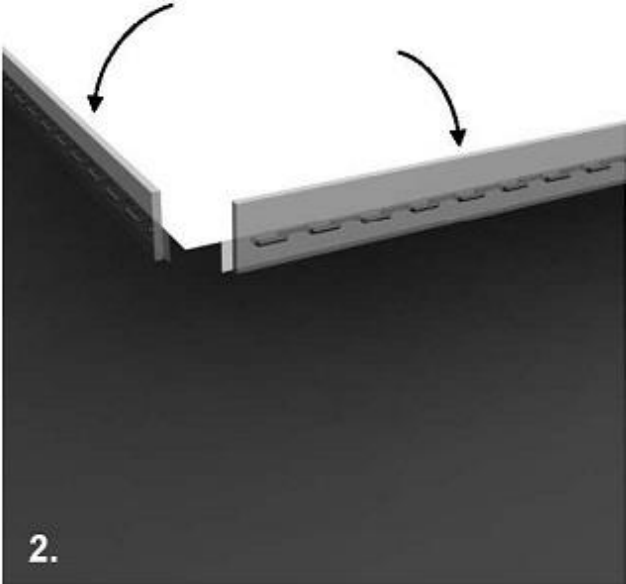
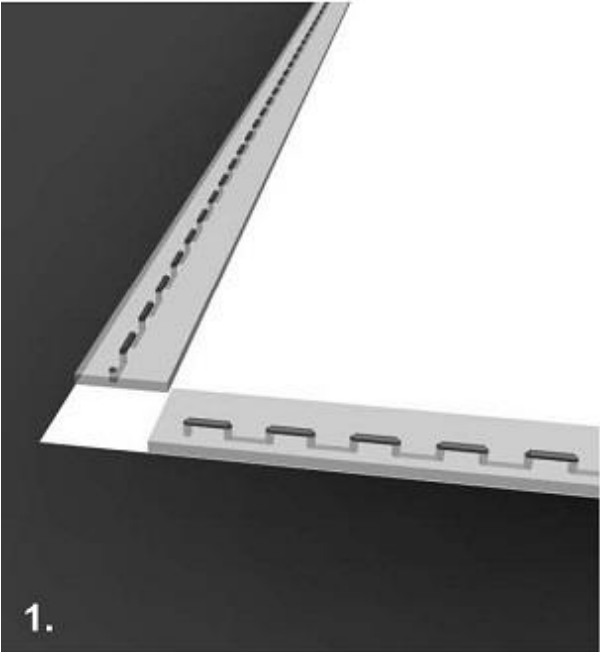
M10x11mm Set Screw



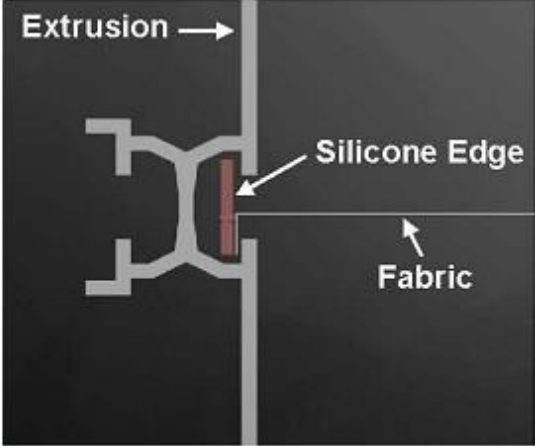
Step 3. Assemble 2-piece curves, attach to columns.



// SEG Graphic Insertion //



// Detail //



Step 4. Attach fabric graphic.



Step 5. Attach stem lights & standoff panels using standoff caps.



Step 6. Attach shelves to columns.

