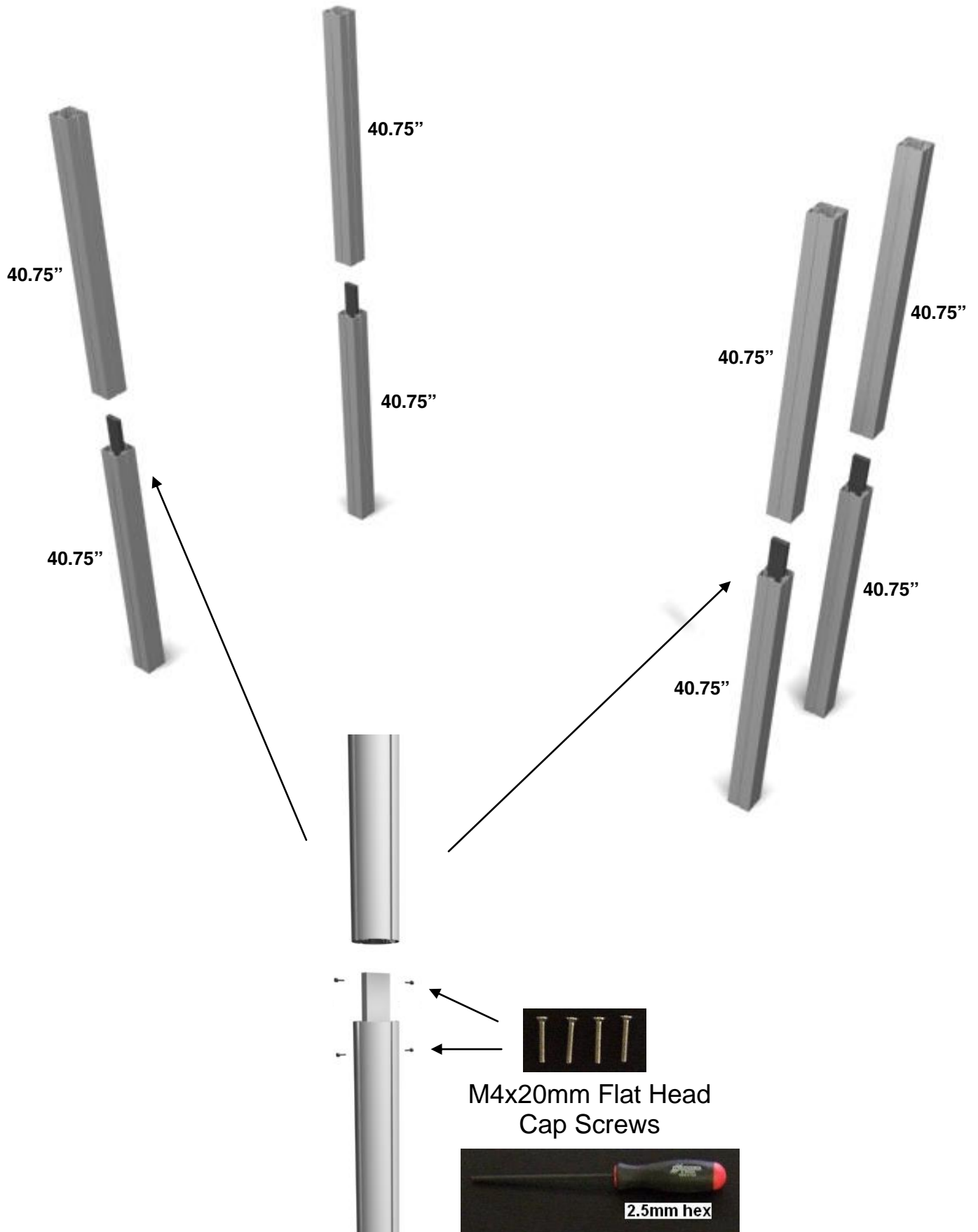
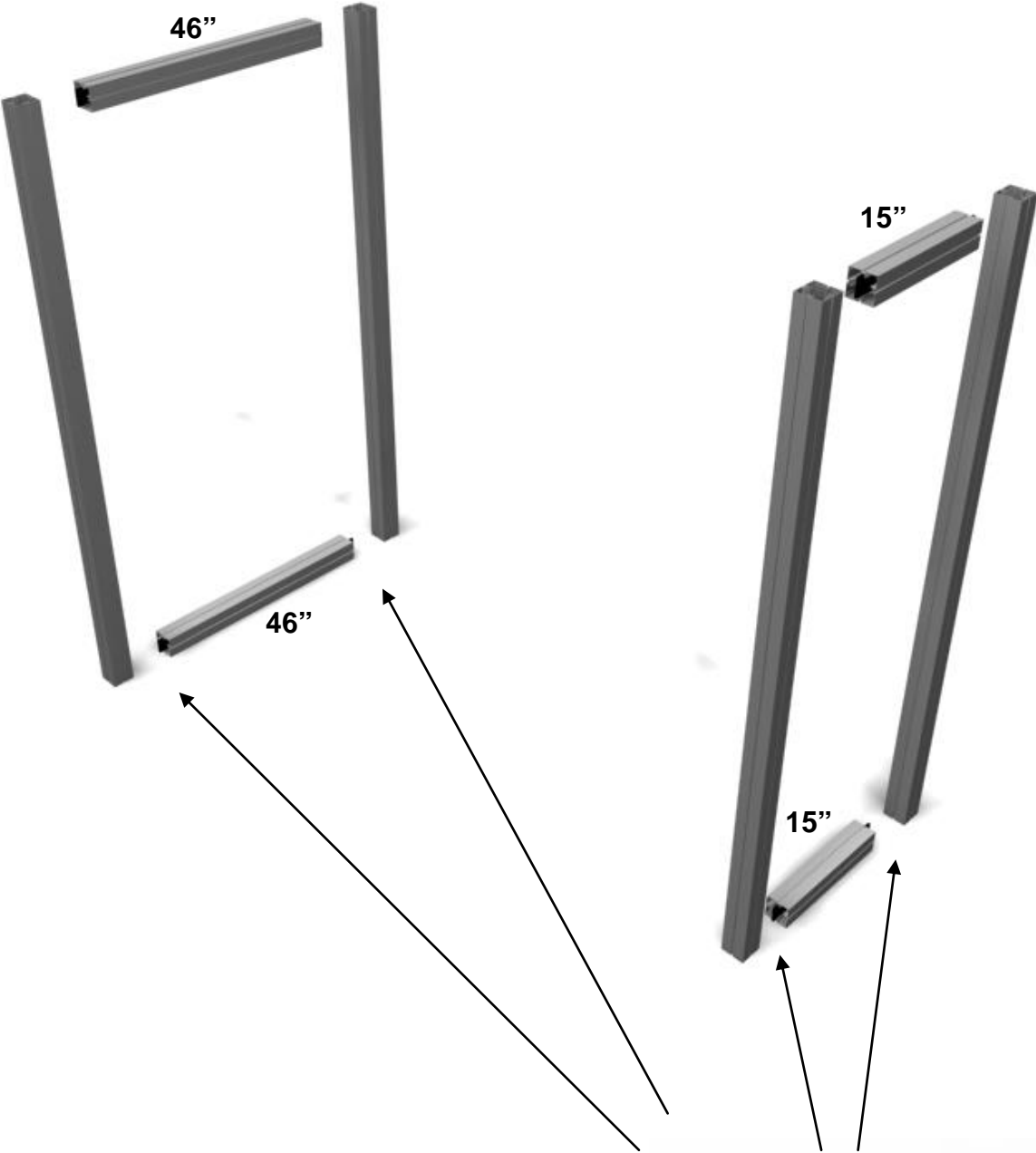


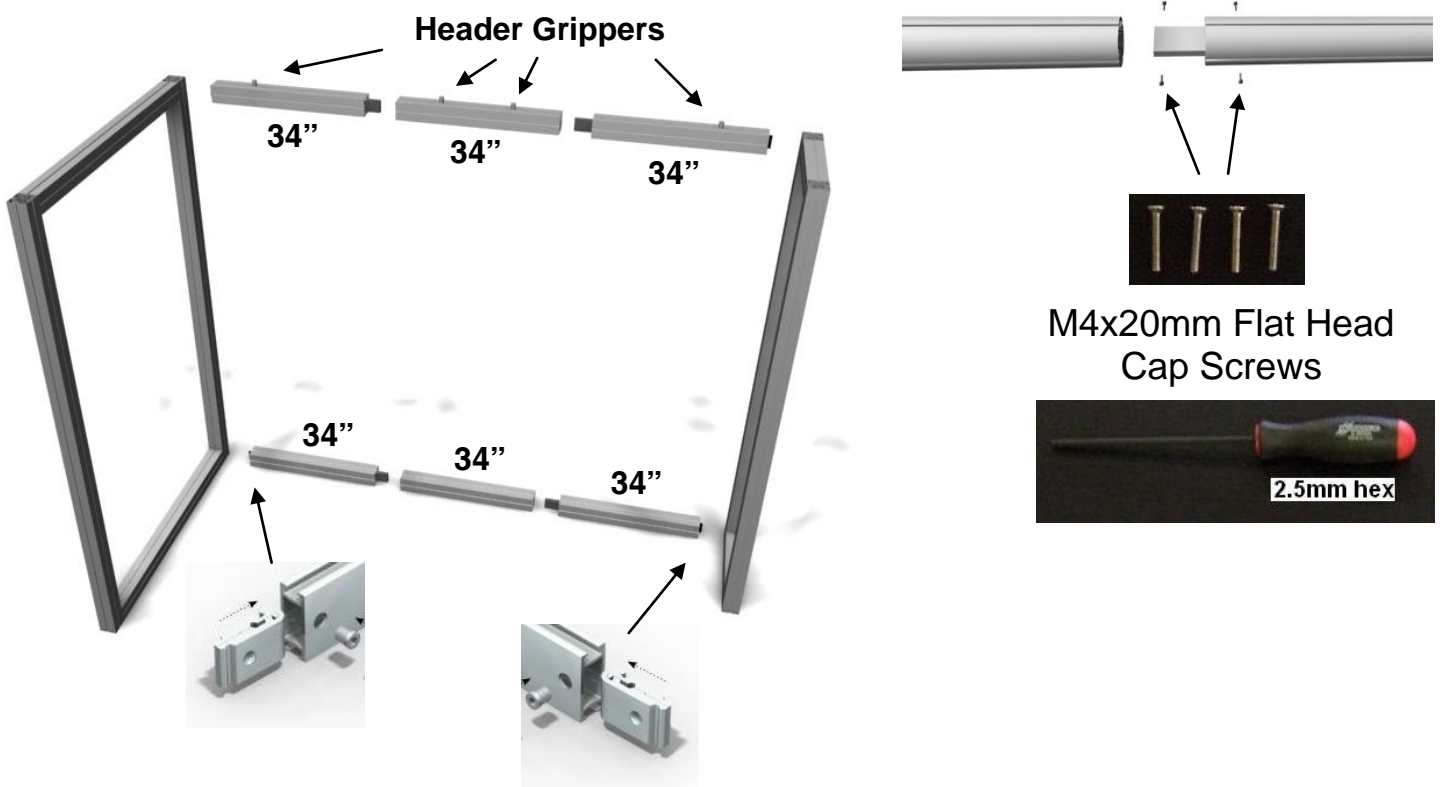
Step 1: Attach upper & lower column sections.



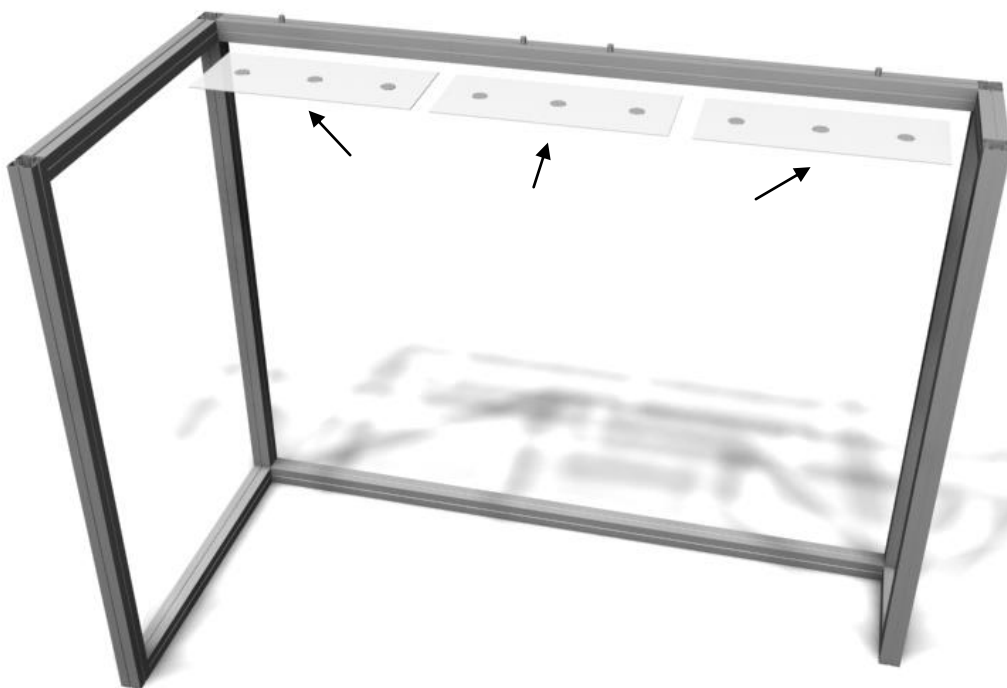
Step 2: Attach side cross bars to columns.



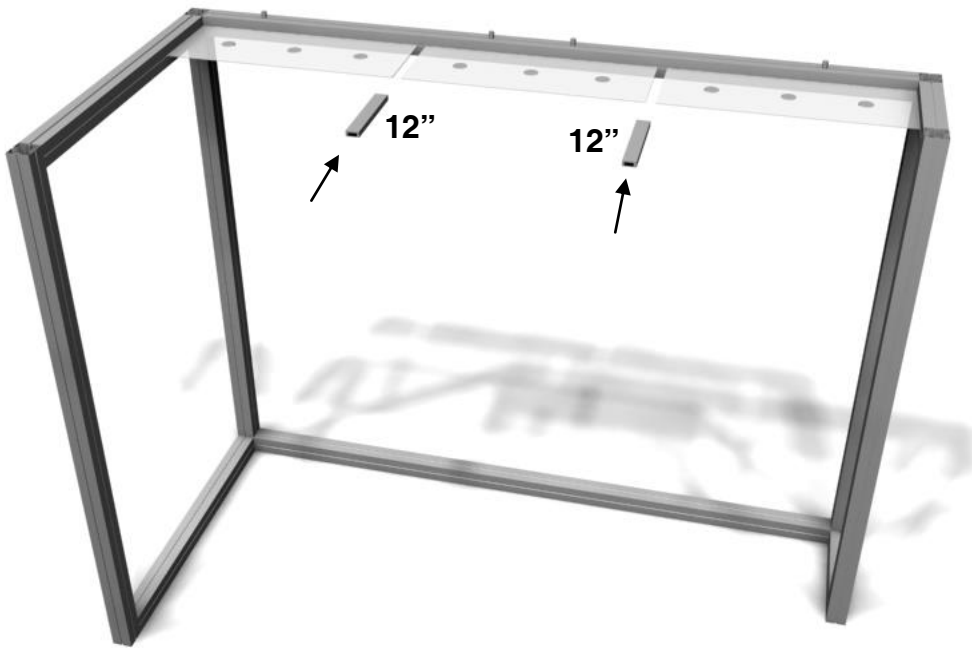
Step 3. Join 3-piece back crossbars & attach to columns.



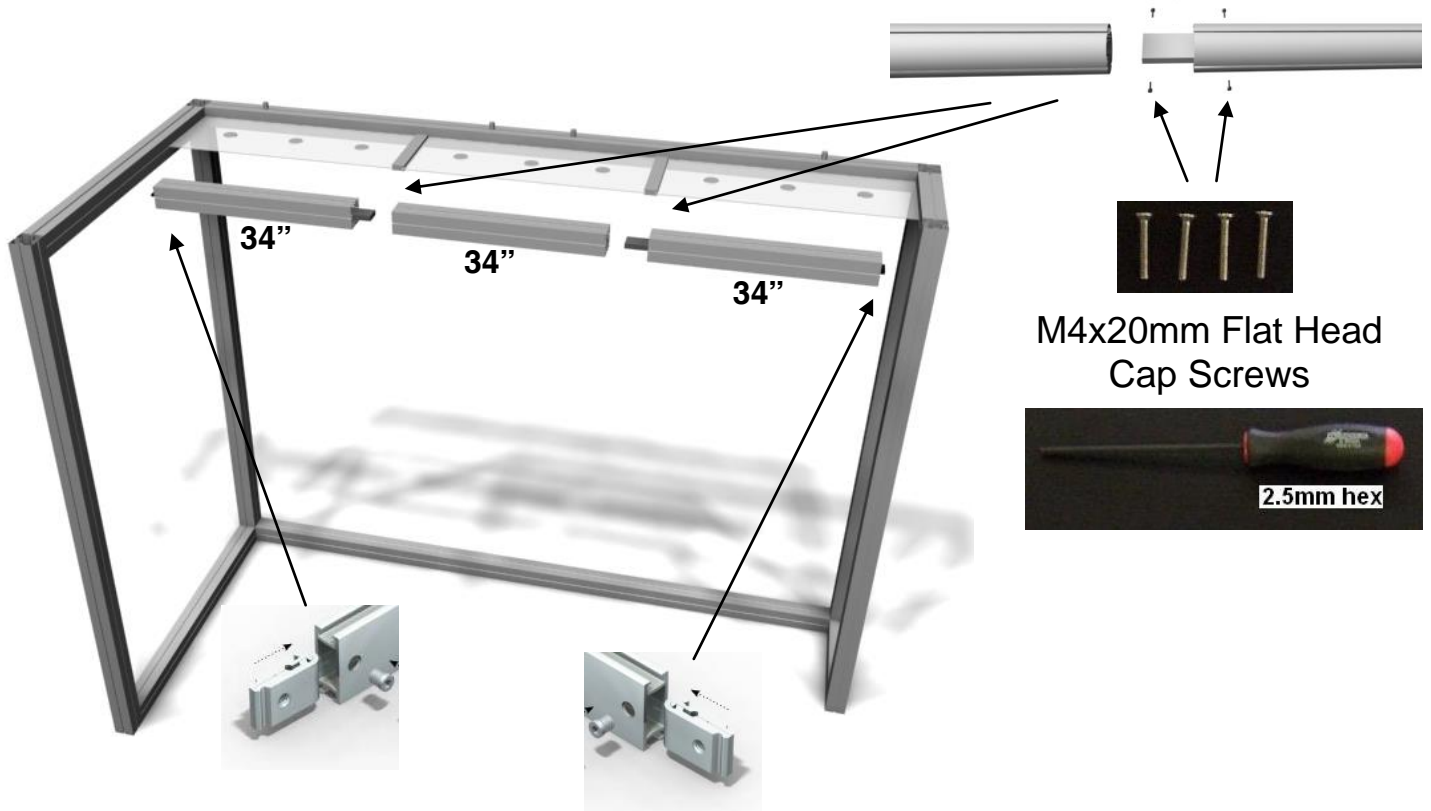
Step 4. Slide canopy plex into position.



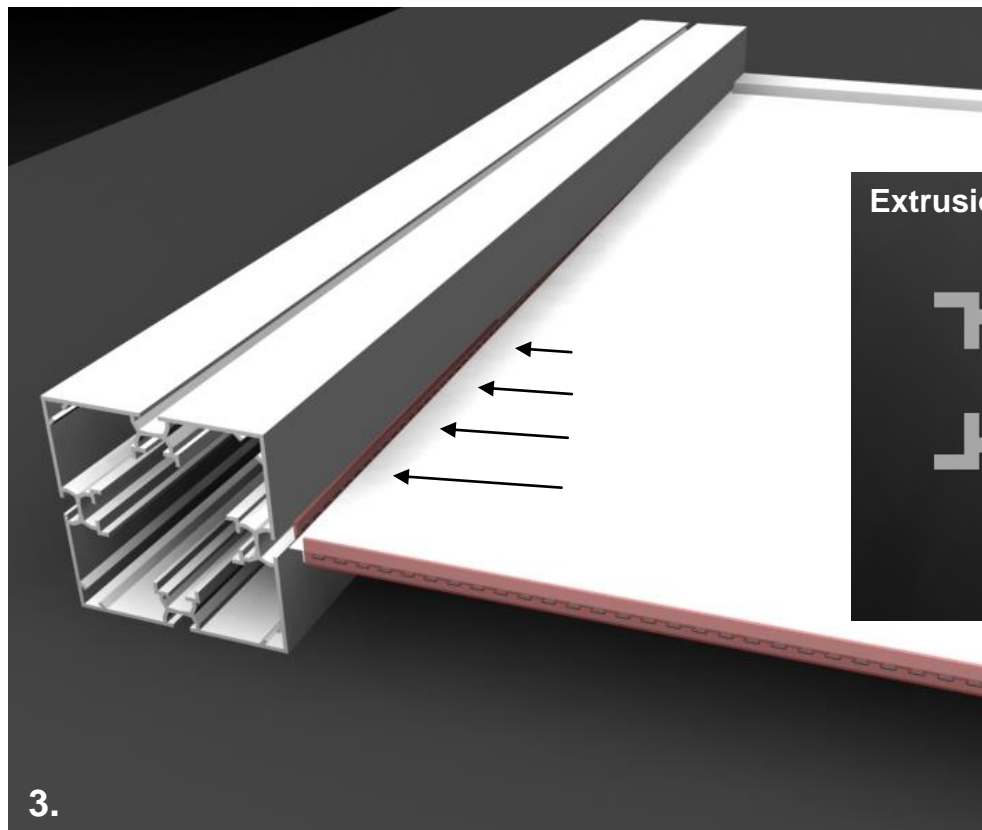
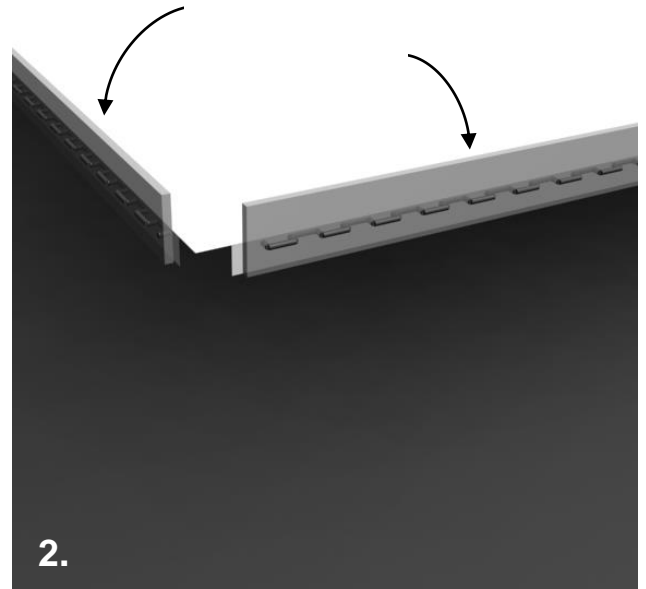
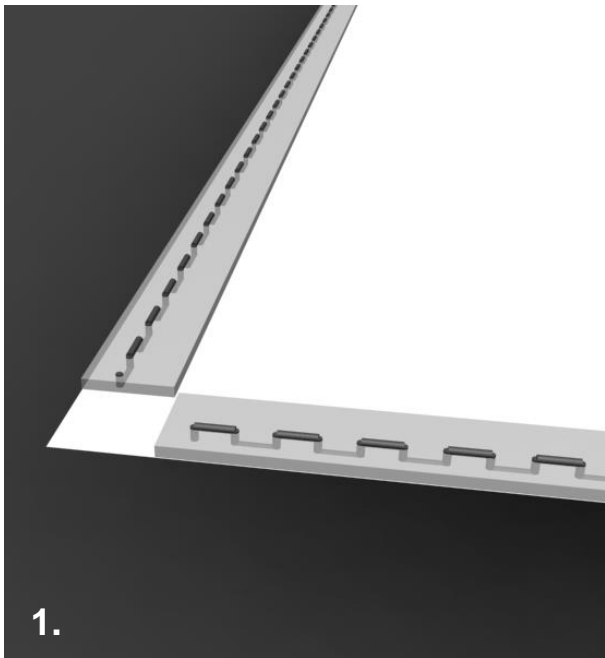
Step 5. Attach plex canopy divider crossbars to upper back crossbar.



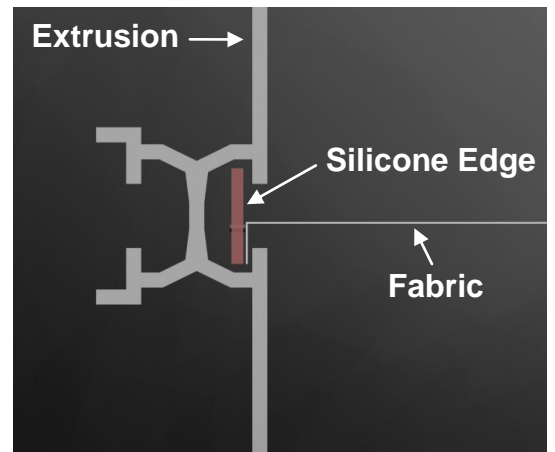
Step 6. Join 3-piece upper front crossbar & attach to columns.



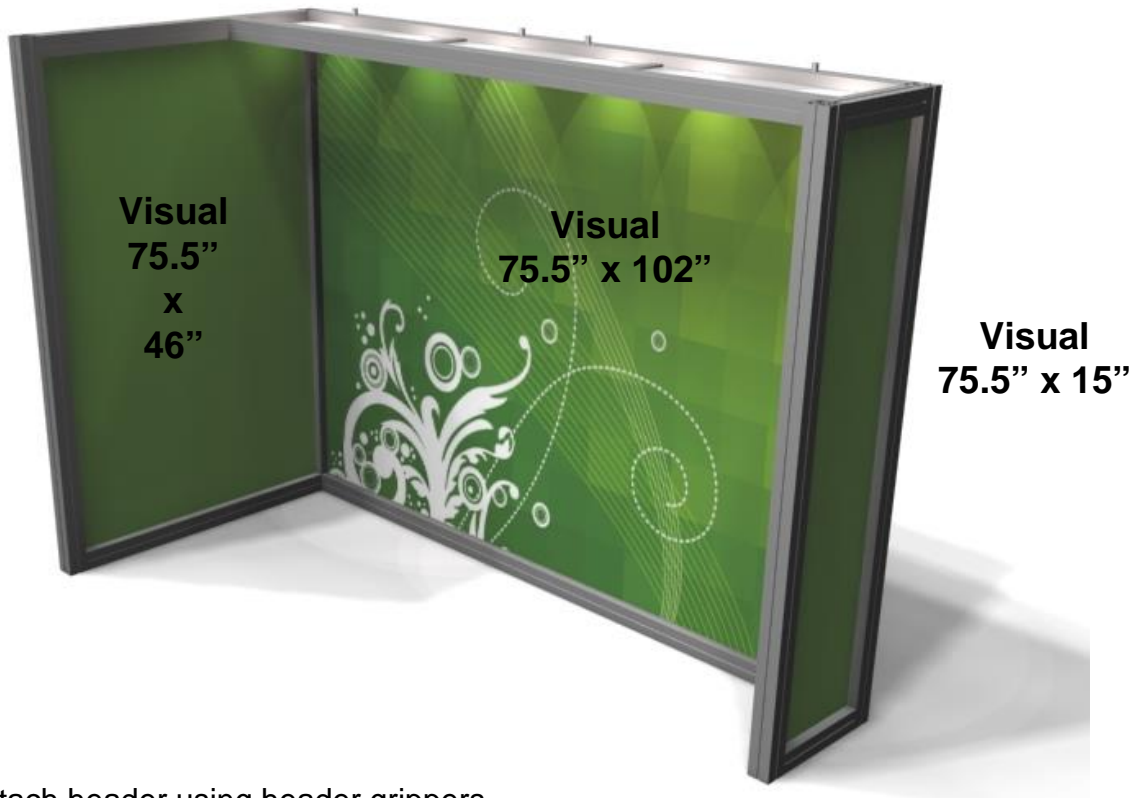
// SEG Graphic Insertion //



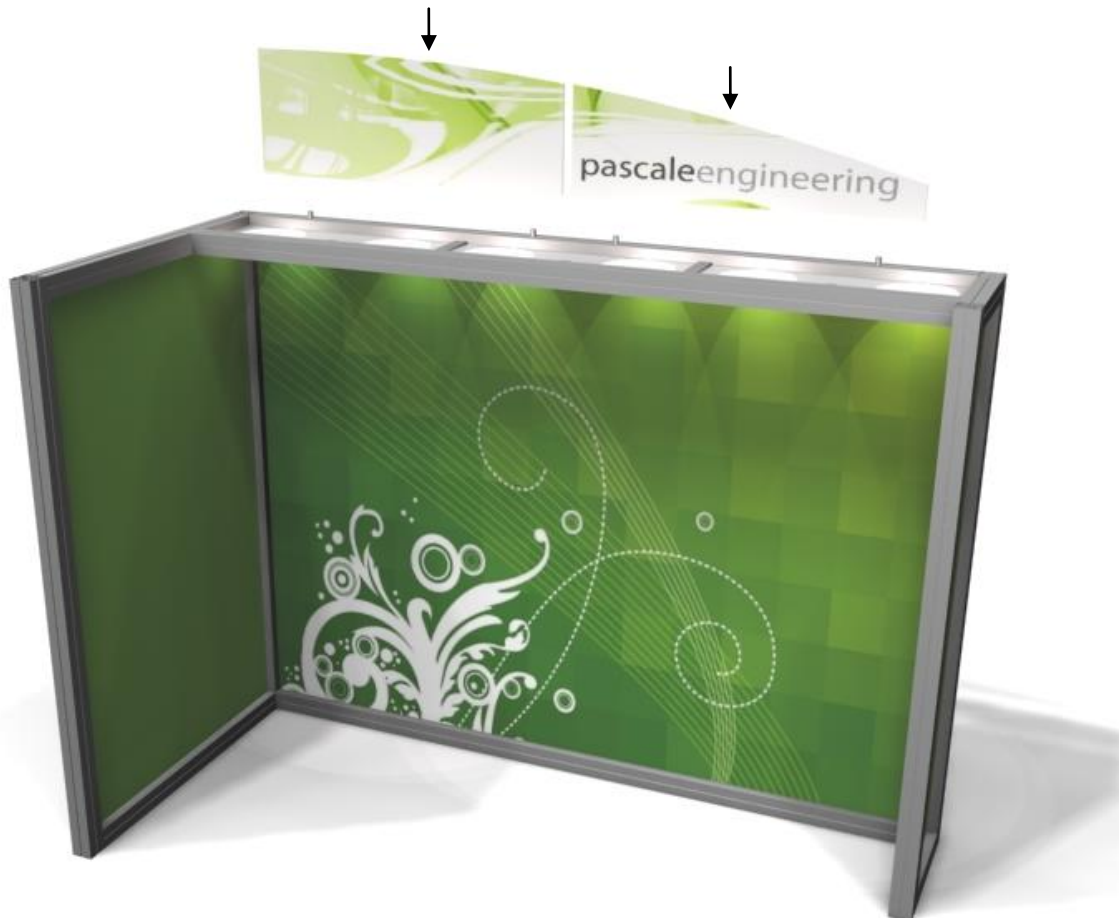
// Detail //



Step 7. Attach fabric graphics.



Step 8. Attach header using header grippers.



Step 9. Attach optional accessories.

