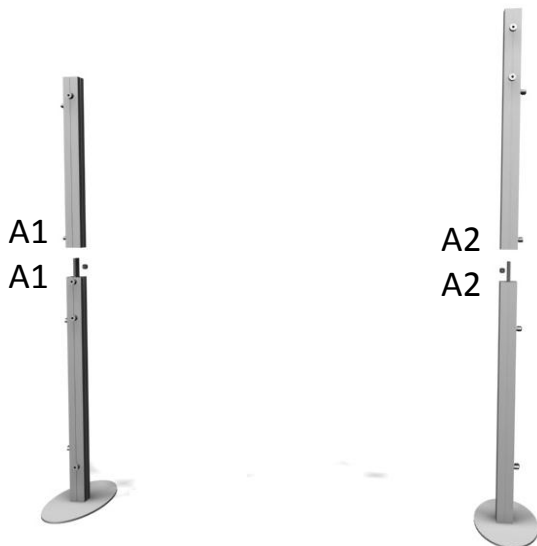


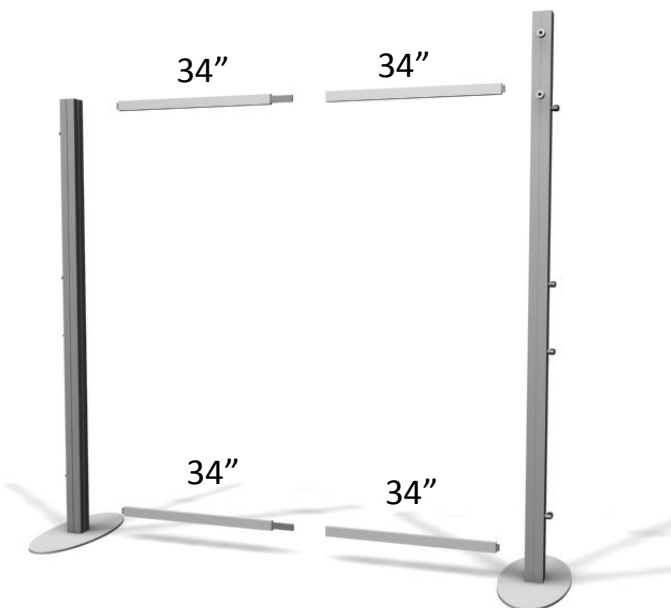
**Step 1.** Attach lower columns to bases using large flat head screws & Phillips head screw driver.



**Step 2.** Attach upper columns to lower columns using XVline 1" knobs.



**Step 3.** Join graphic bar halves & attached to columns.



**Step 4.** Attach silicone edge fabric graphic.



**Step 5.** Attach wings, header & stem lights.

