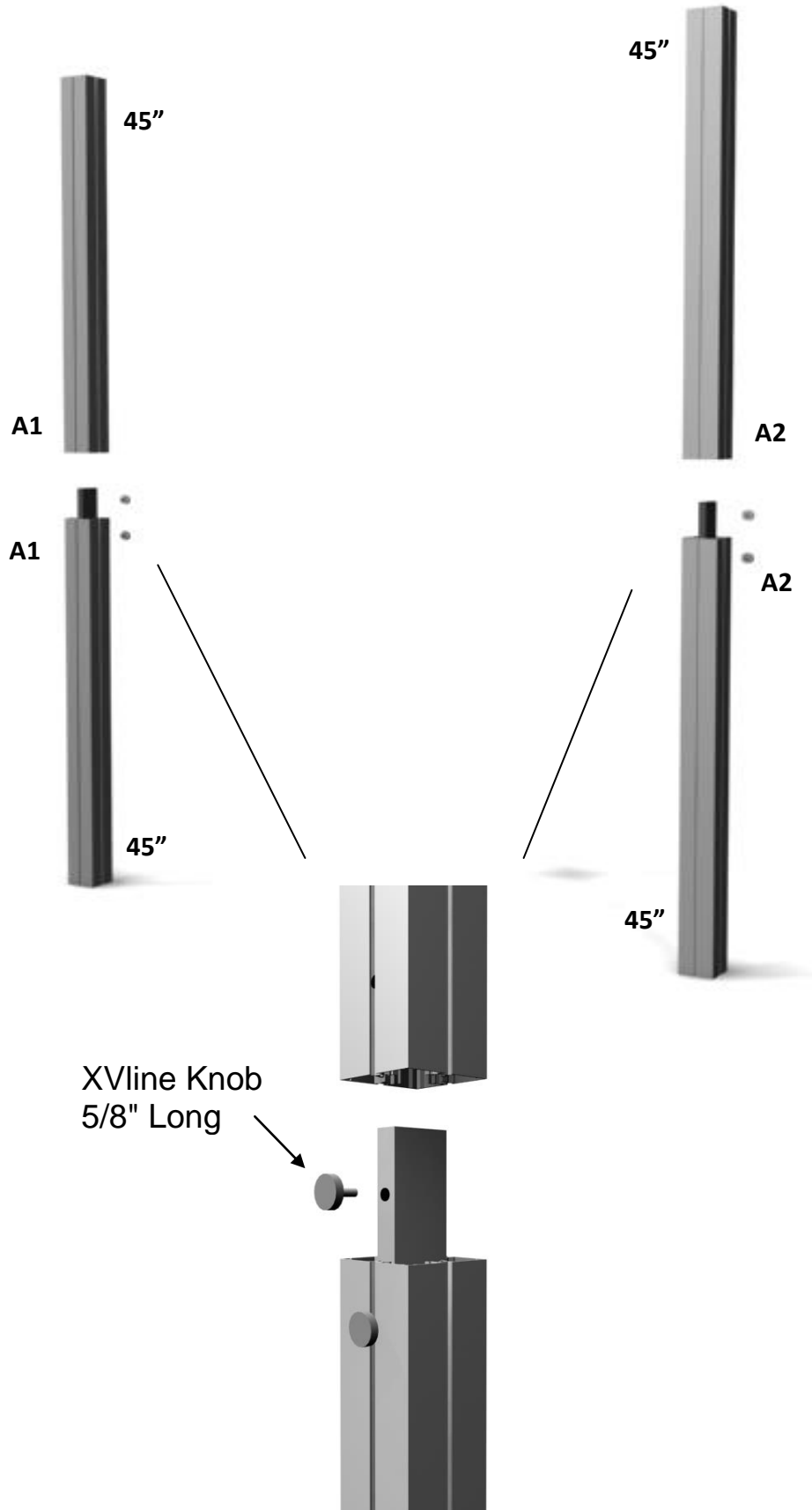
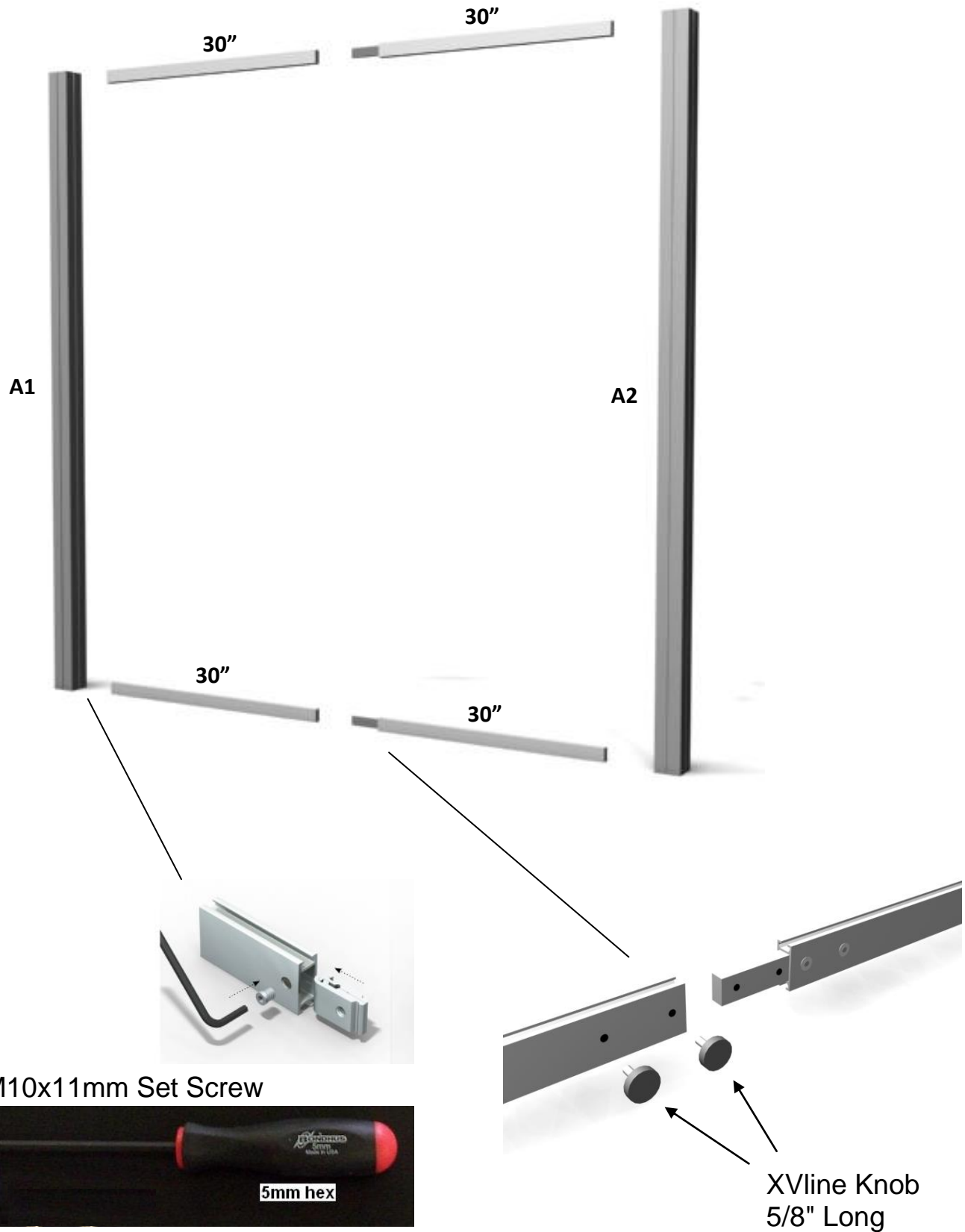


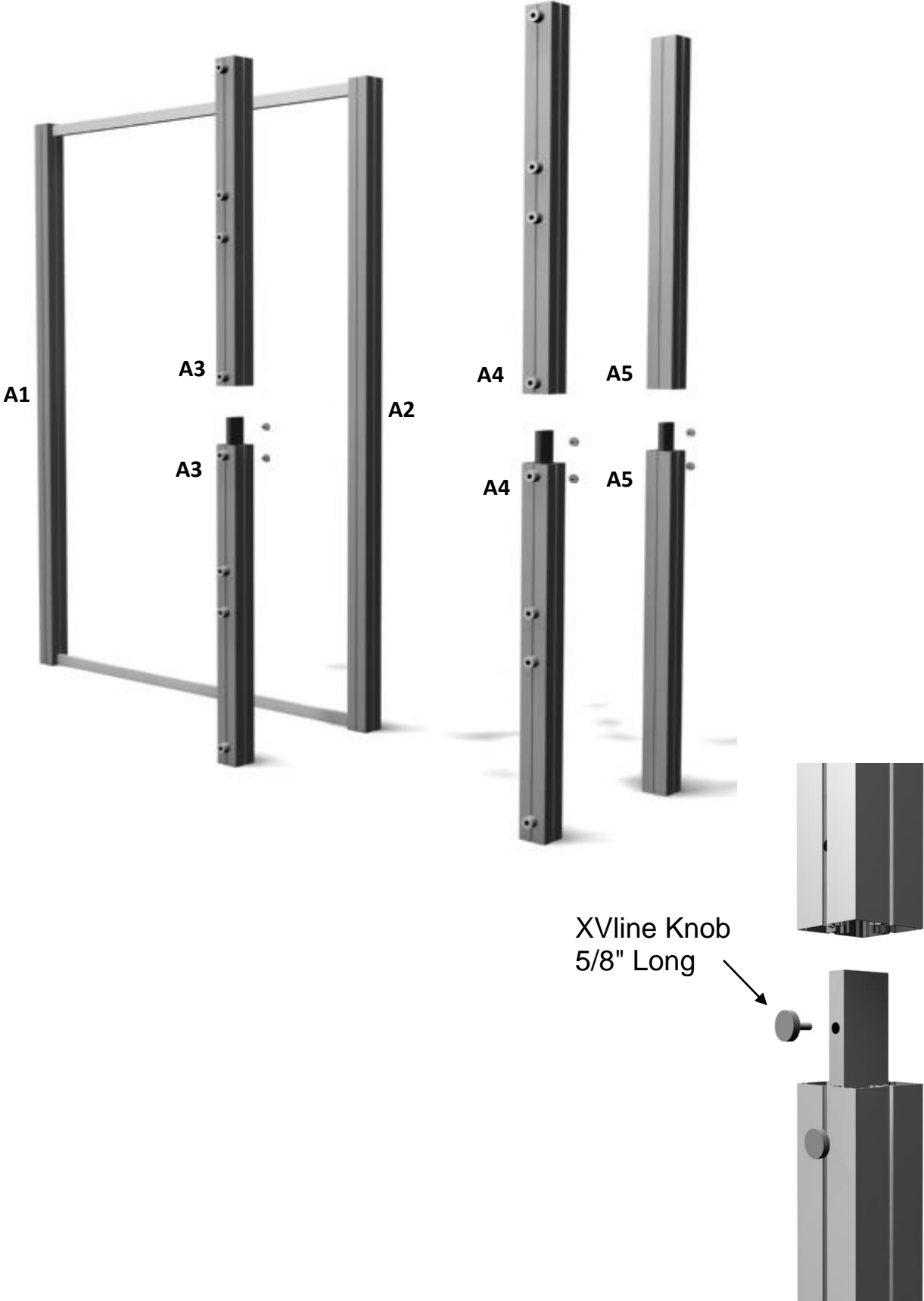
Step 1. Assemble 2-piece columns.



Step 2. Assemble 2-piece graphic bars. Attach to columns.



Step 3. Assemble 2-piece columns.



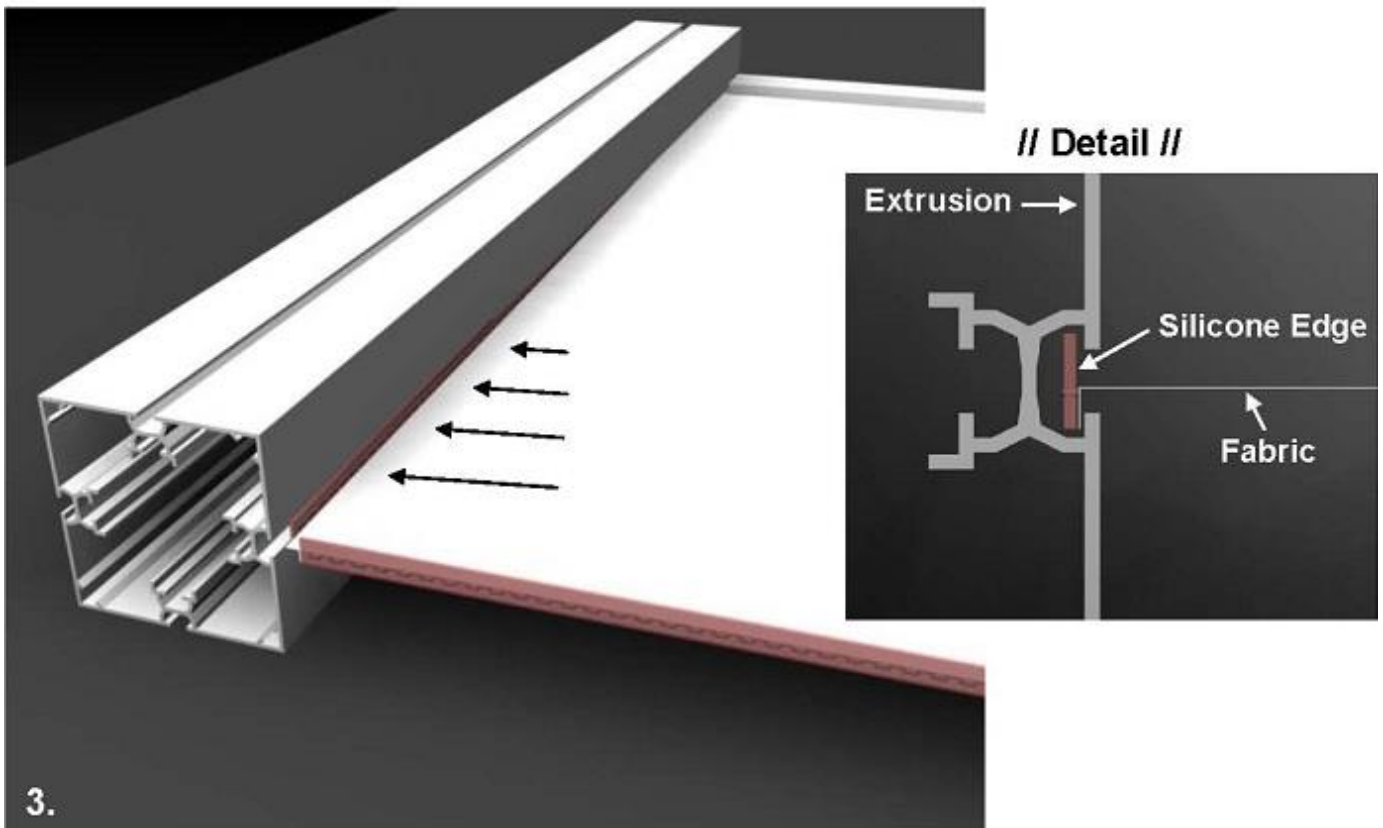
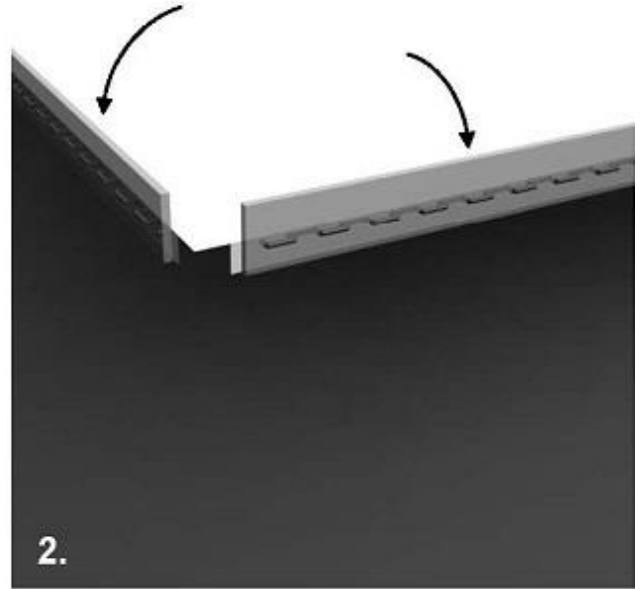
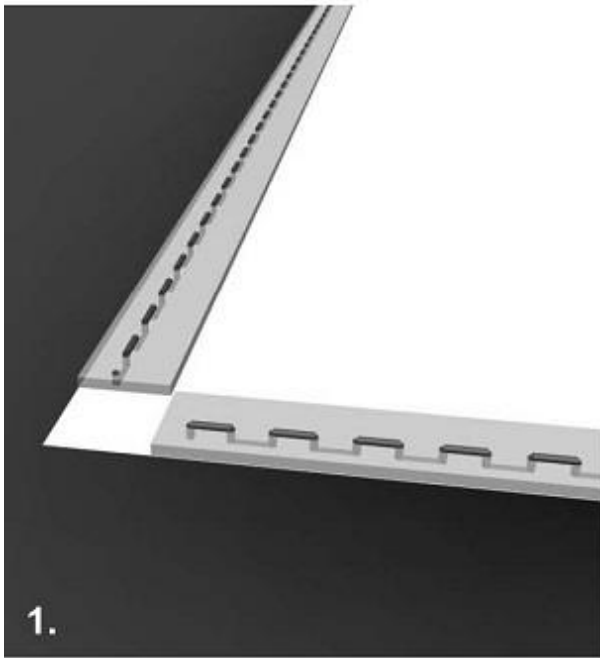
Step 5. Attach front cross bars to columns.



Step 6. Attach standoff panels using standoff caps.



// SEG Graphic Insertion //



Step 7. Attach fabric graphic.



Step 8. Attach stem lights.



