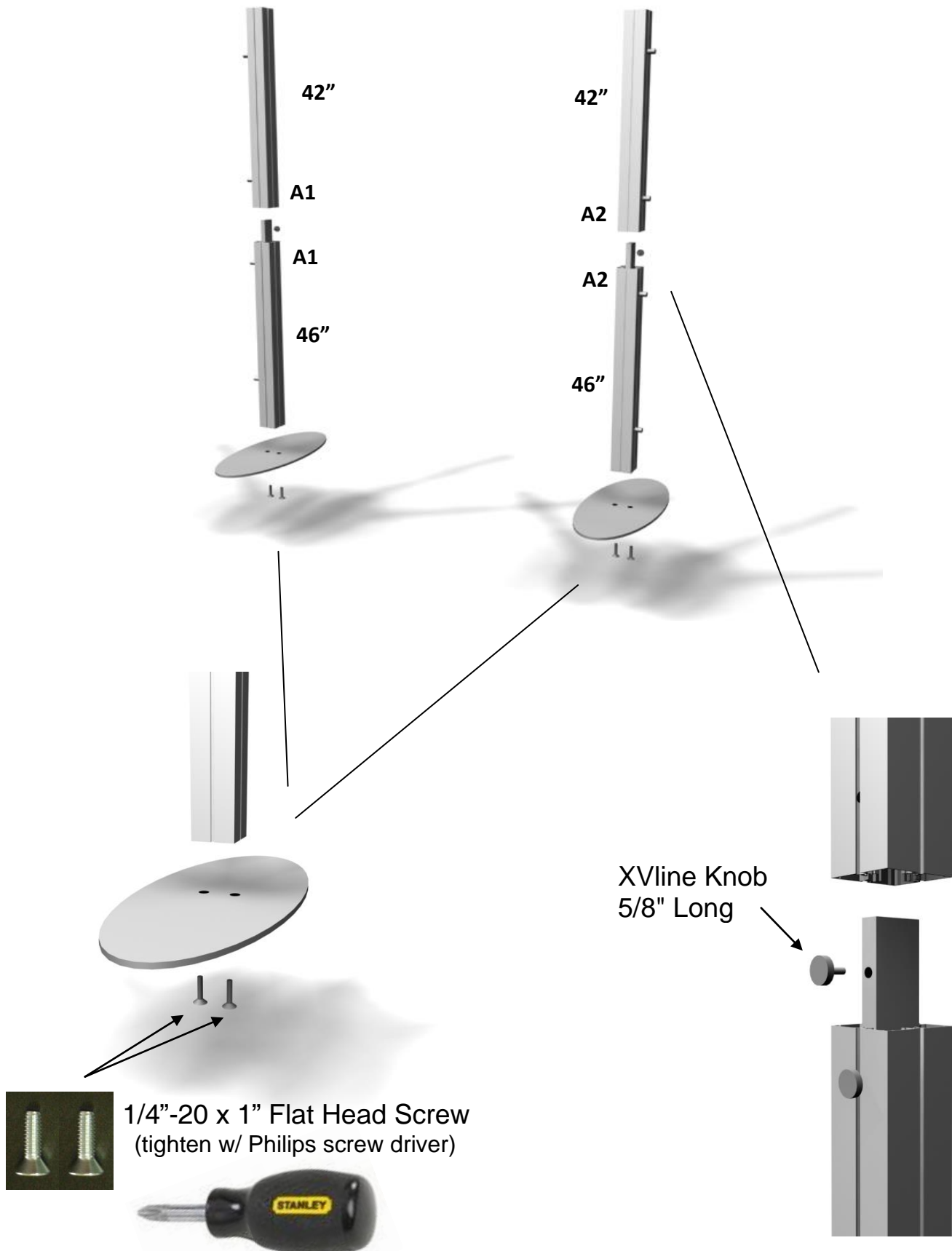
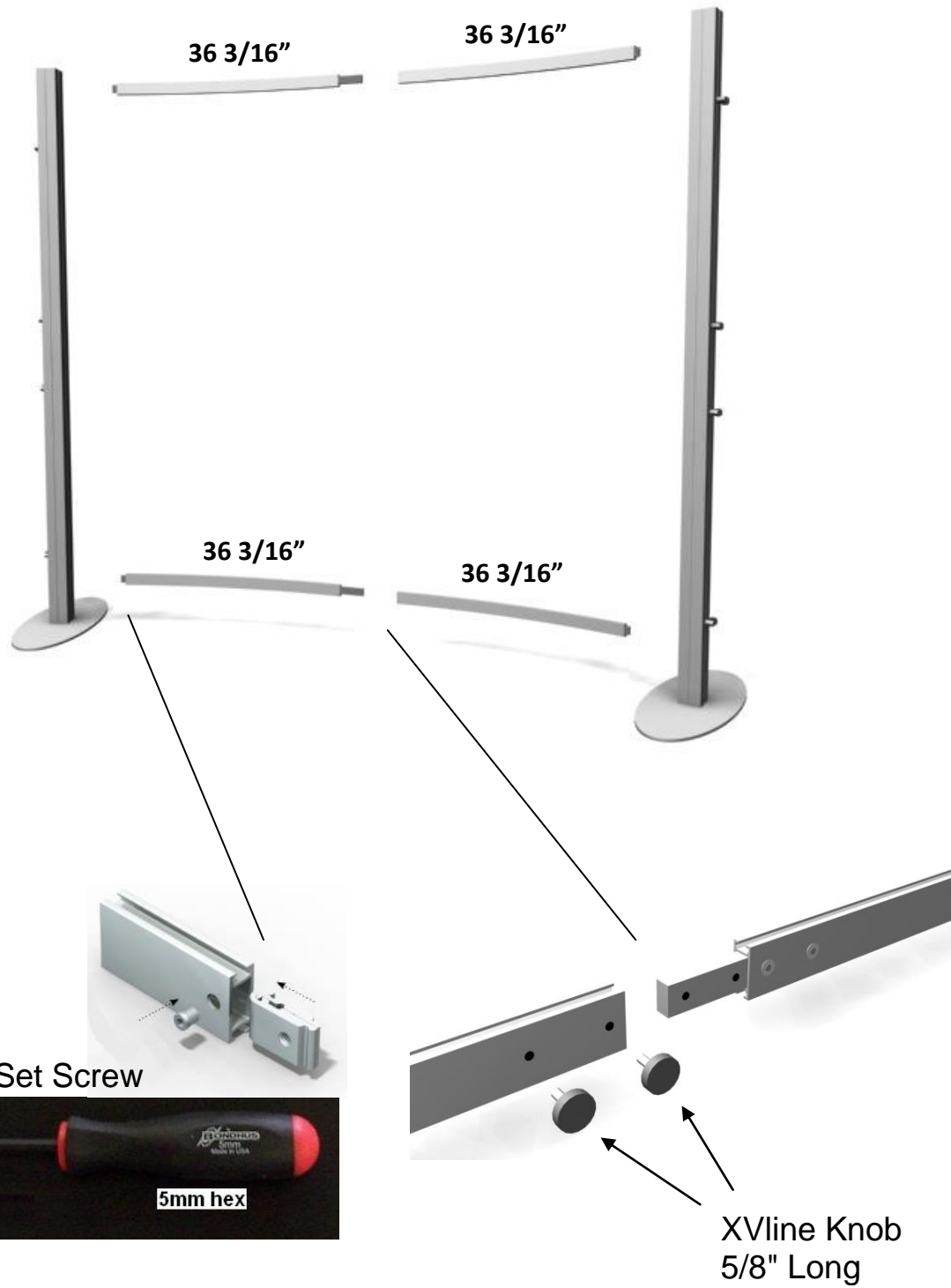


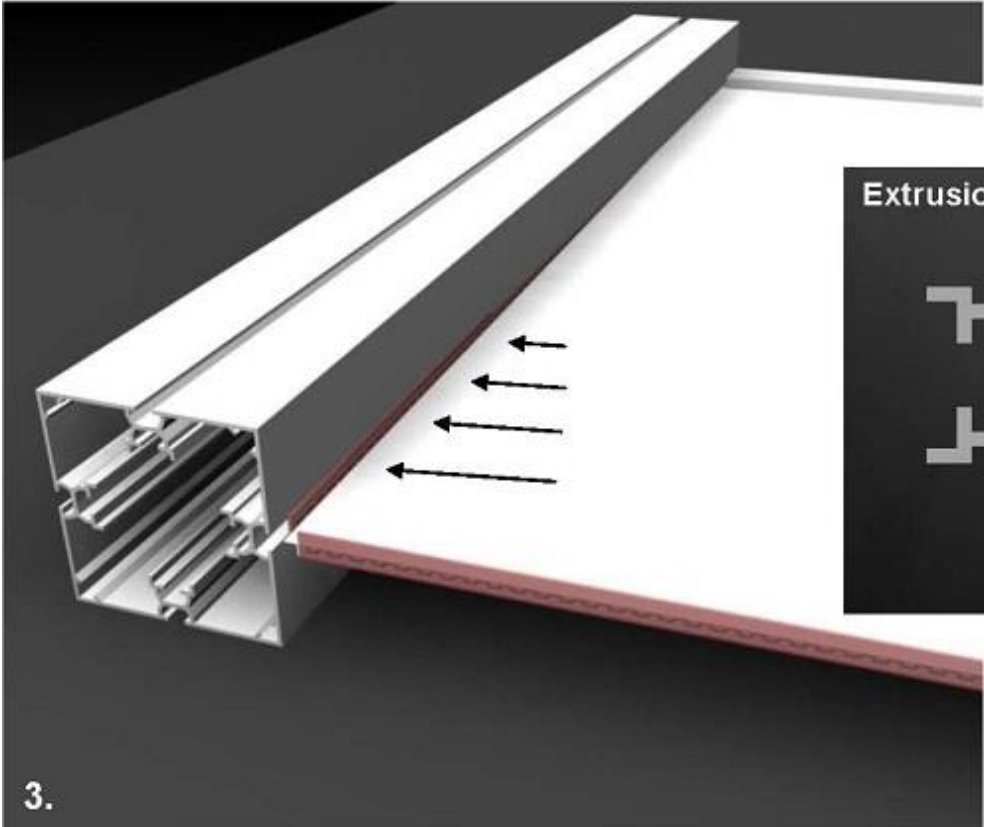
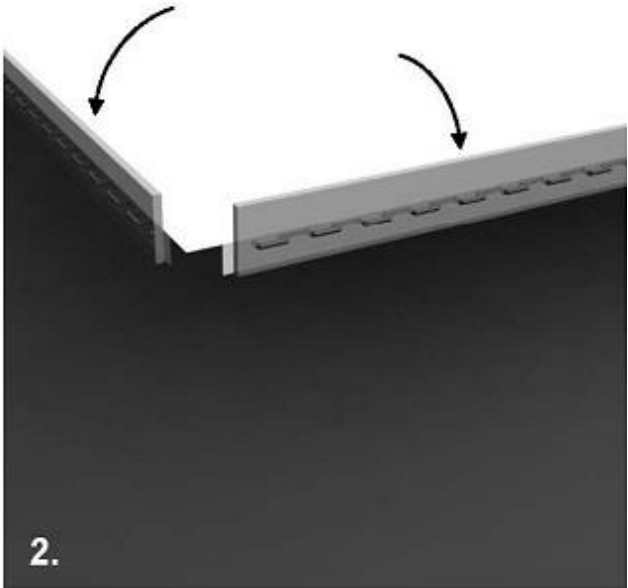
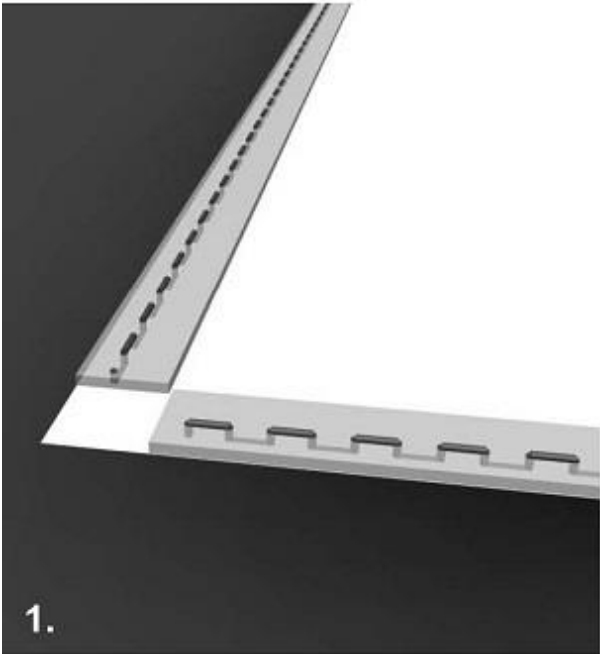
Step 1. Assemble 2-piece columns w/ base plates.



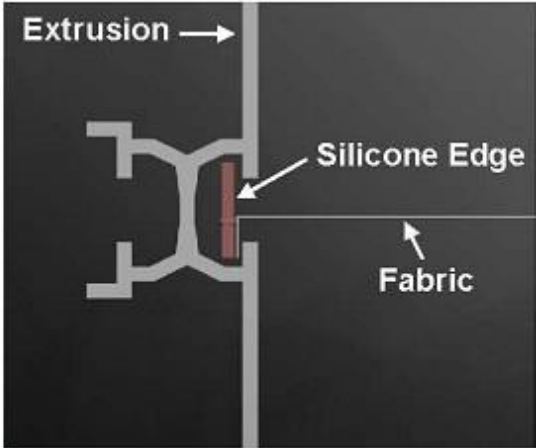
Step 2. Assemble 2-piece graphic bars. Attach to columns.



// SEG Graphic Insertion //



// Detail //



Step 3. Attach graphic.



Step 4. Attach wings using knobs.



Step 5. Attach stemlights.

