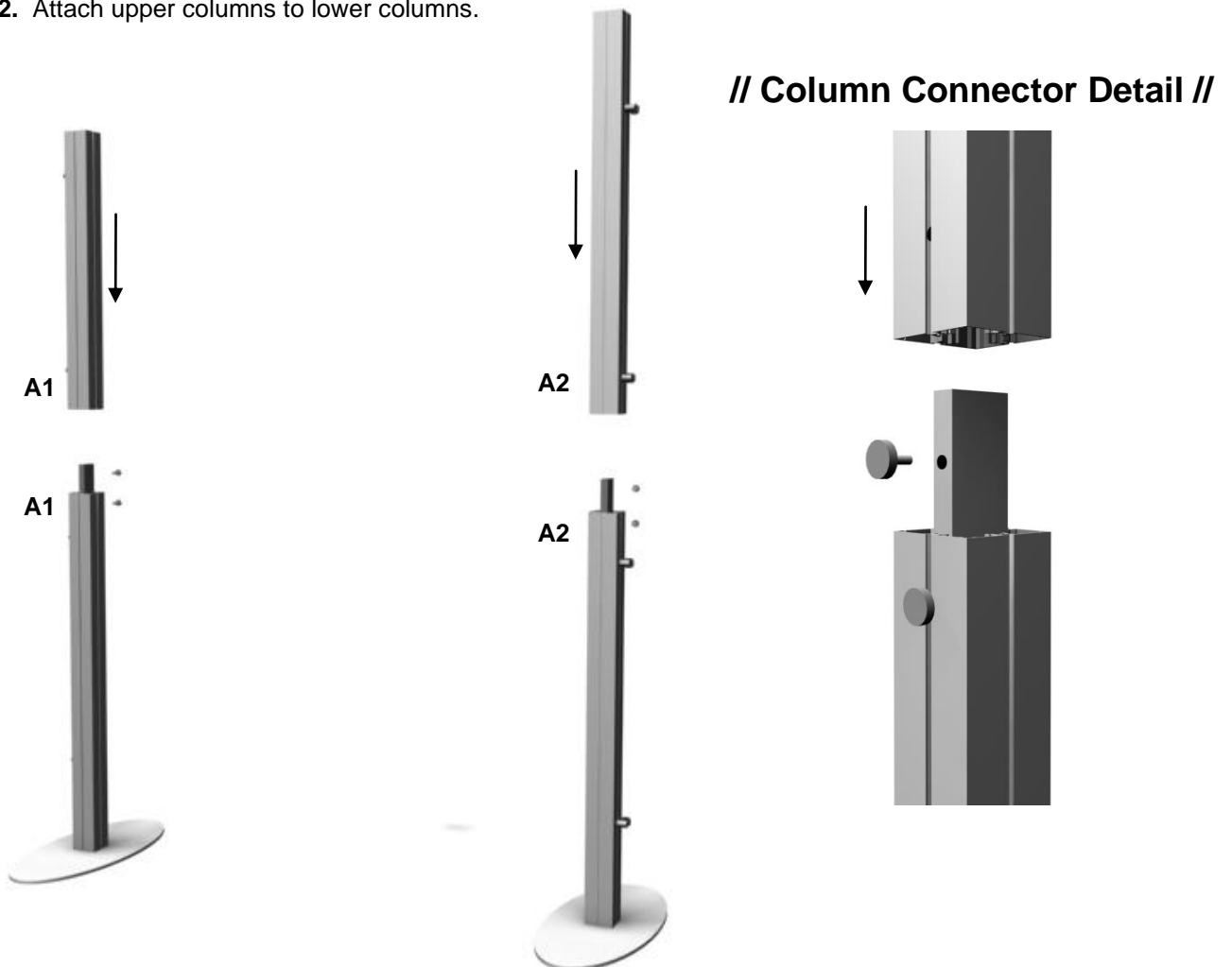


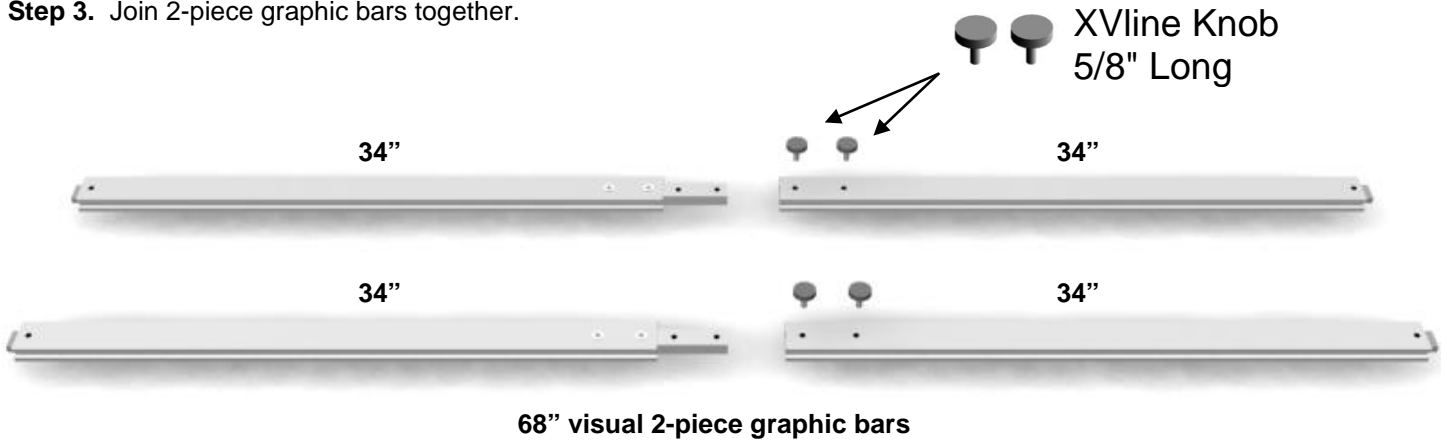
Step 1. Attach lower columns to bases.



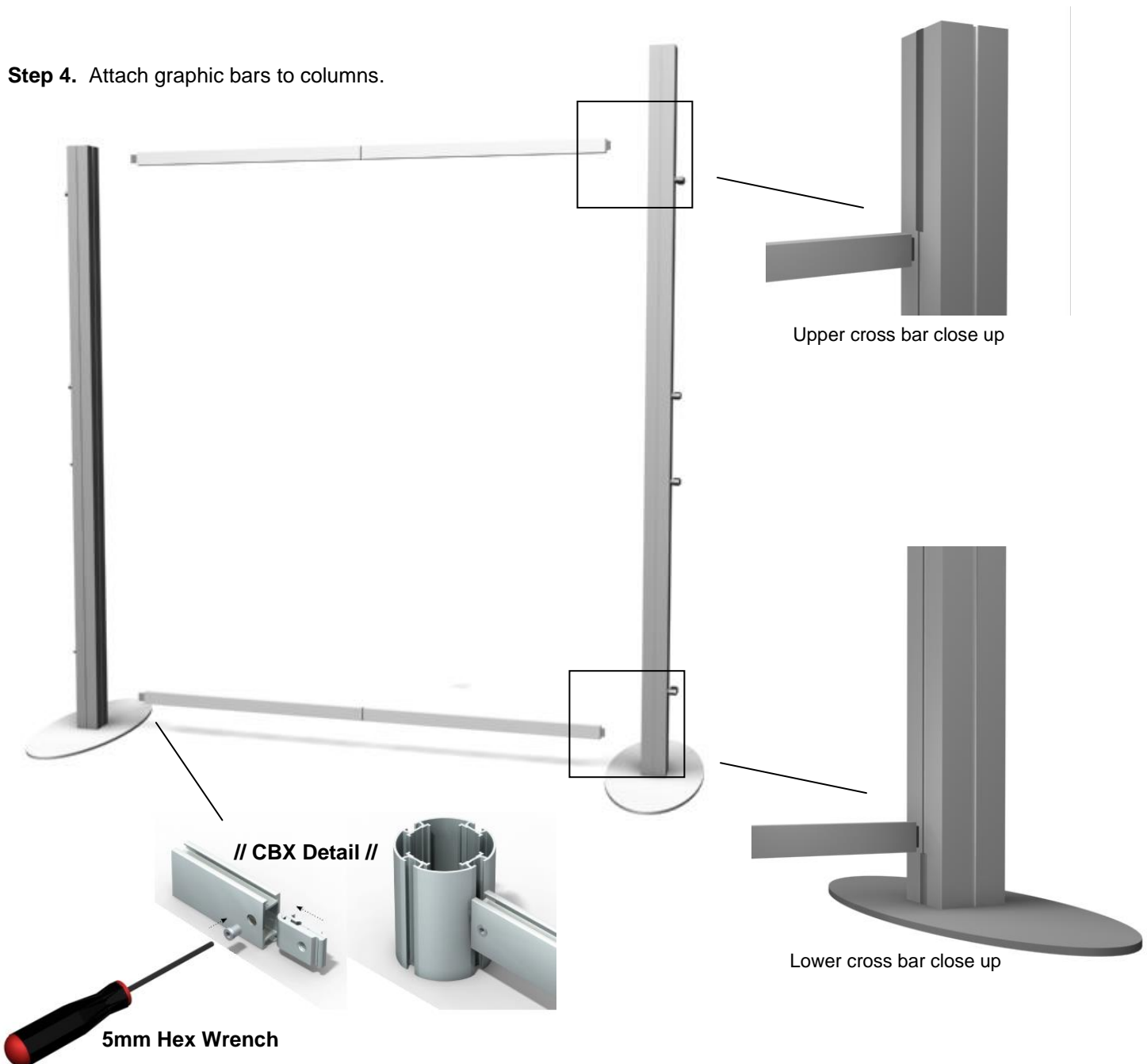
Step 2. Attach upper columns to lower columns.



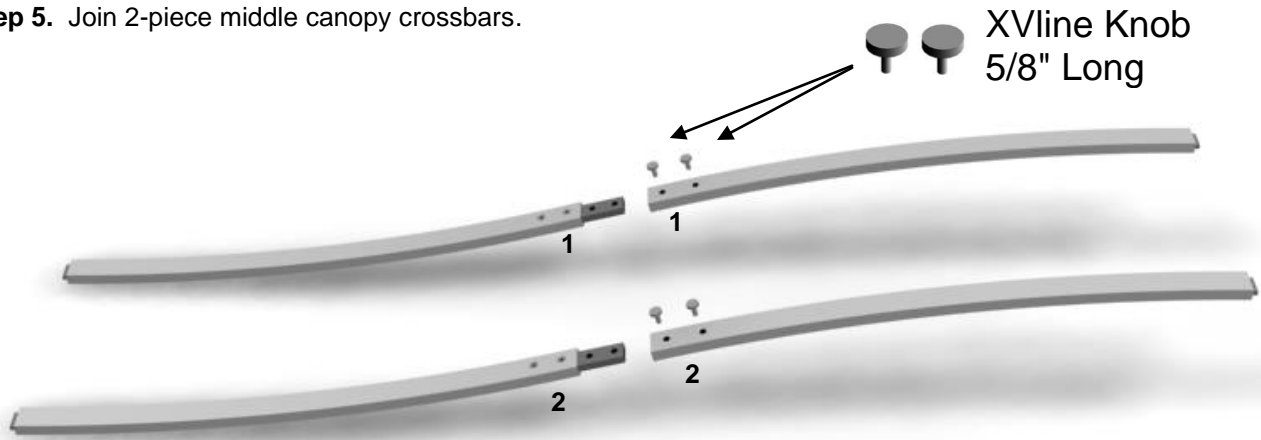
Step 3. Join 2-piece graphic bars together.



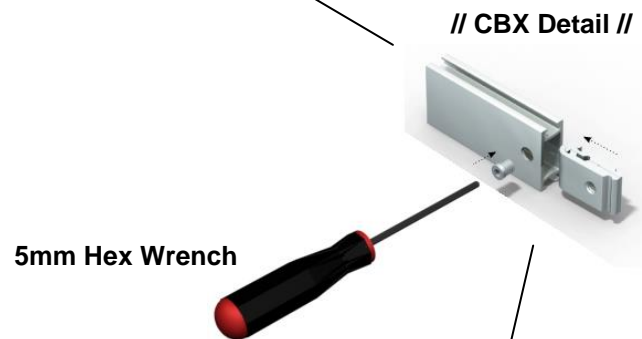
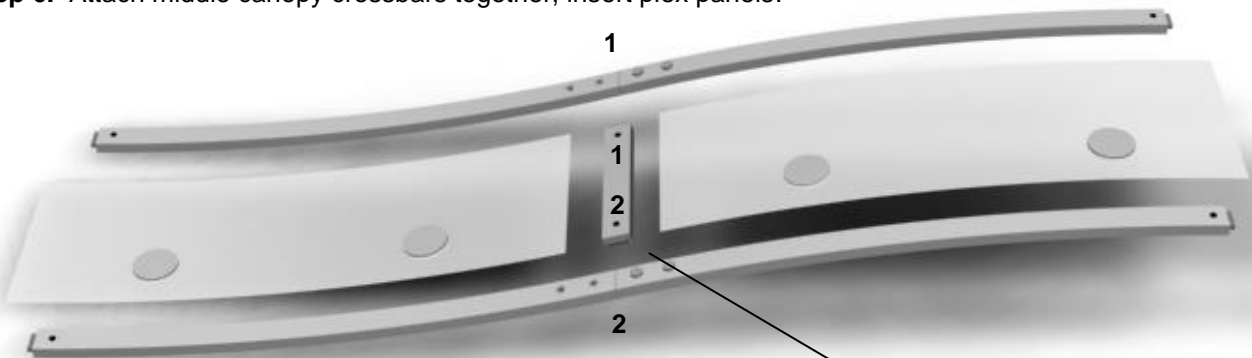
Step 4. Attach graphic bars to columns.



Step 5. Join 2-piece middle canopy crossbars.



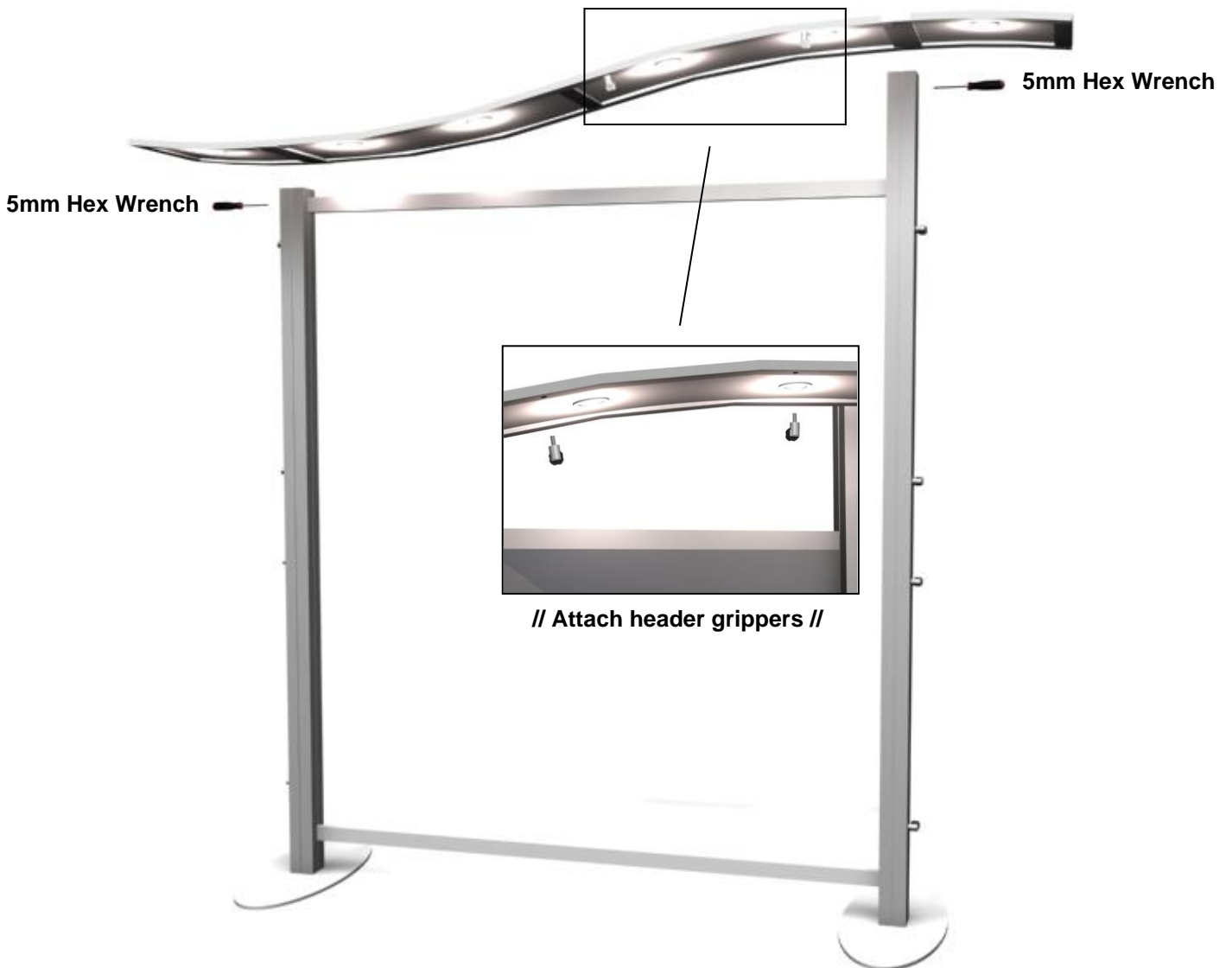
Step 6. Attach middle canopy crossbars together, insert plex panels.



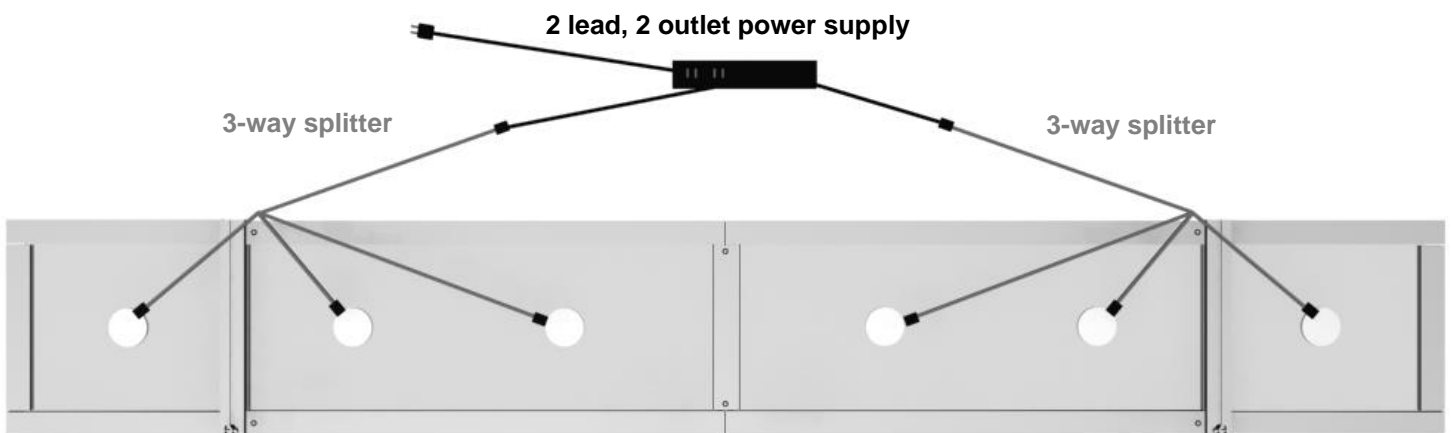
Step 7. Attach canopy end sections to middle section.



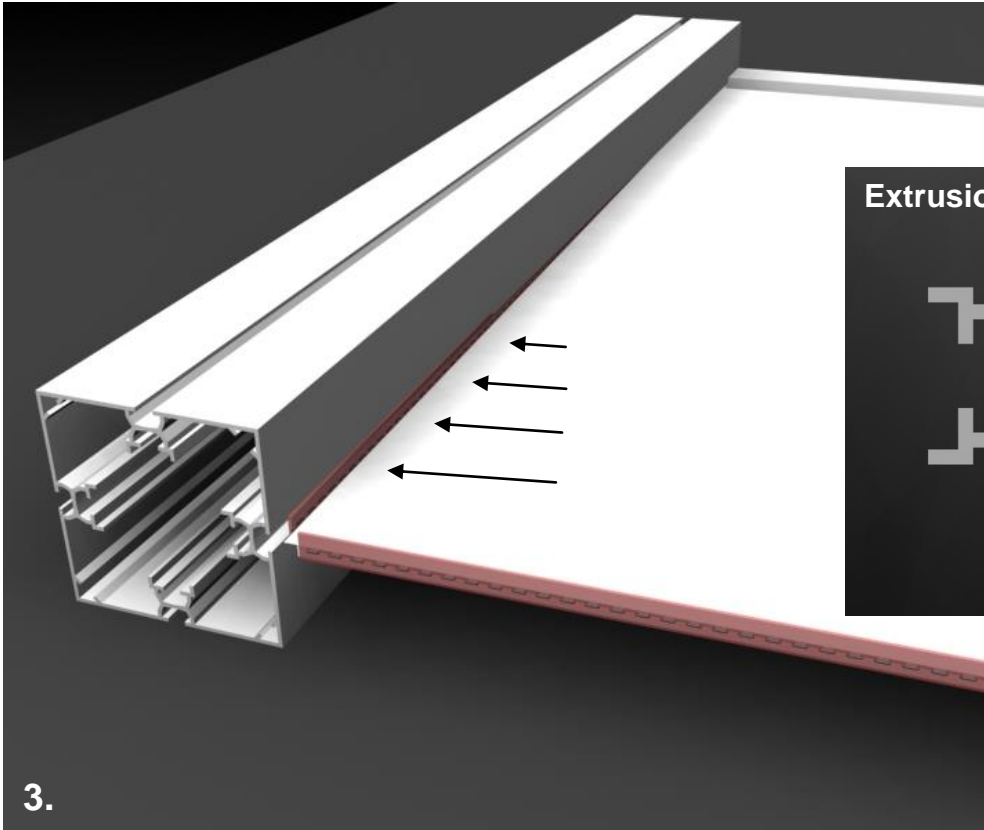
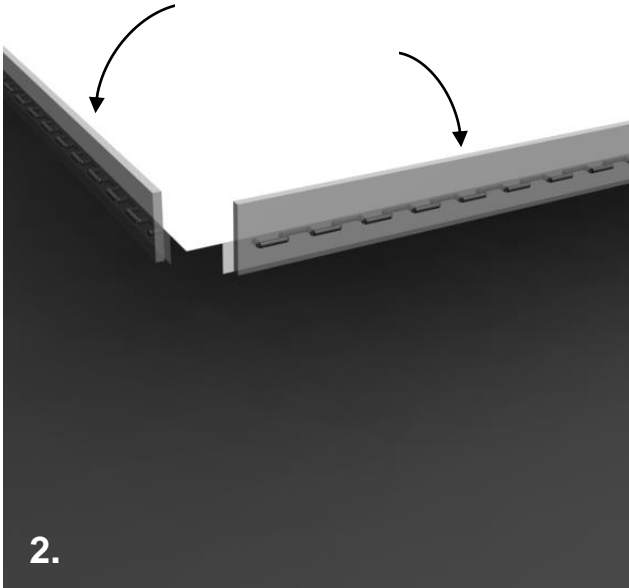
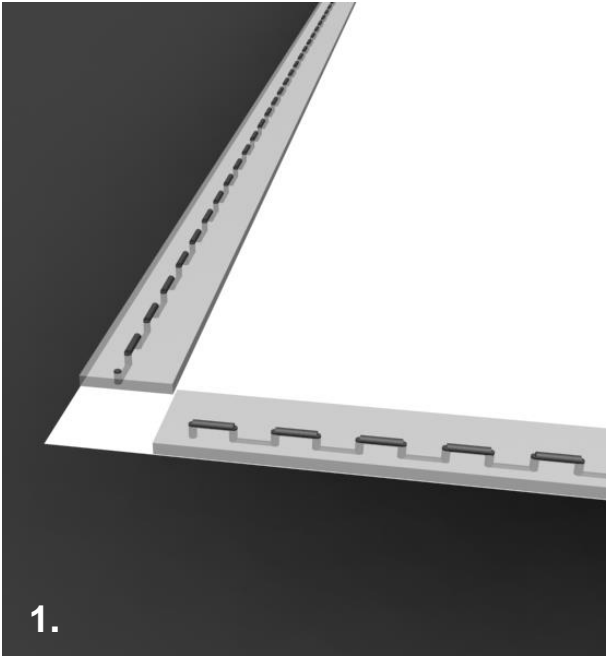
Step 8. Attach canopy to columns.



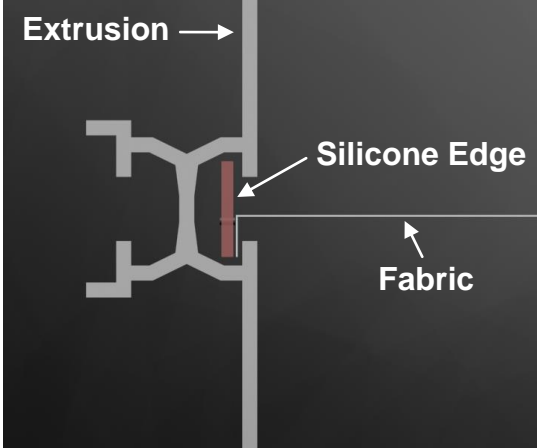
Step 9. Power layout.



// SEG Graphic Insertion //



// Detail //



Step 10. Attach fabric graphic.



Step 11. Attach wings & header.



