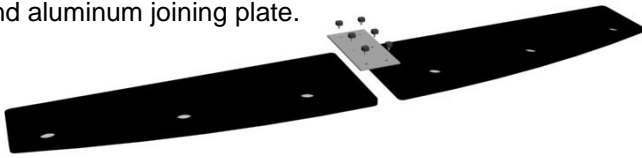
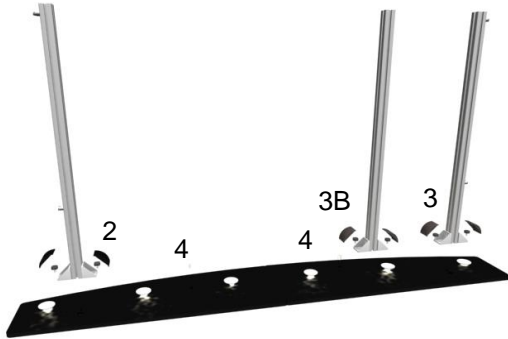


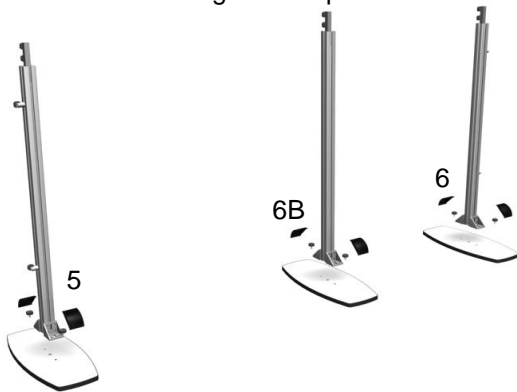
Step 1. Attach left and right canopy using 6 **short** knobs and aluminum joining plate.



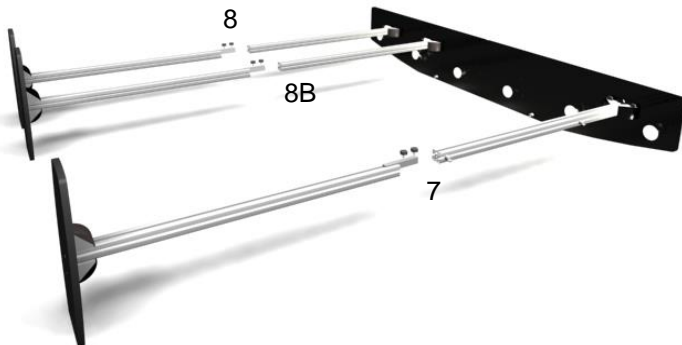
Steps 2-4. Flip canopy over and attach upper column sections using 2 **short** knobs per column. Install gusset caps. Attach header grippers.



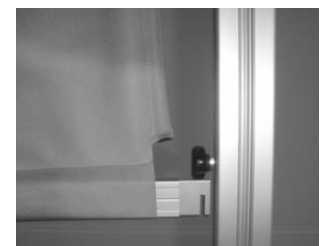
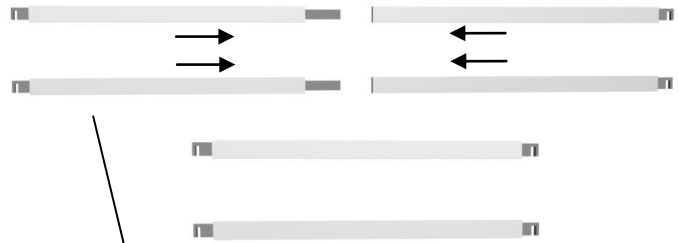
Steps 5,6. Attach lower columns to feet using 2 **short** knobs per column. Install gusset caps.



Steps 7,8. Tip canopy and legs down; attach lower columns to upper columns using 2 **short** knobs per column.



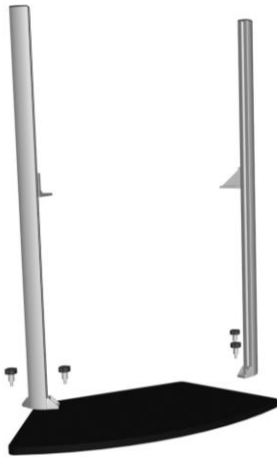
Step 9. Slide upper and lower graphic hangers into graphic and hang graphic. Use lower slides to apply slight downward pressure on lower graphic hanger. See below.



Step 10. Attach wings & header.



Step 11. Attach counter legs to counter using 2 long knobs per leg.



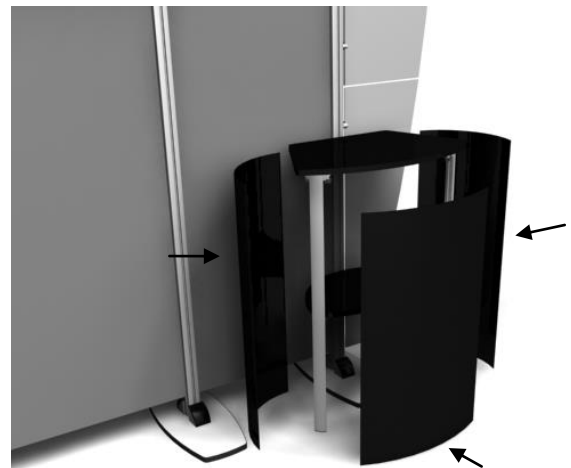
Step 12. Attach counter to column from underneath using one long knob.



Step 13. Attach shelf using 3 long knobs



Step 14. Install front & side counter panels.



Step 15. Attach monitor mount (see mount instructions).

