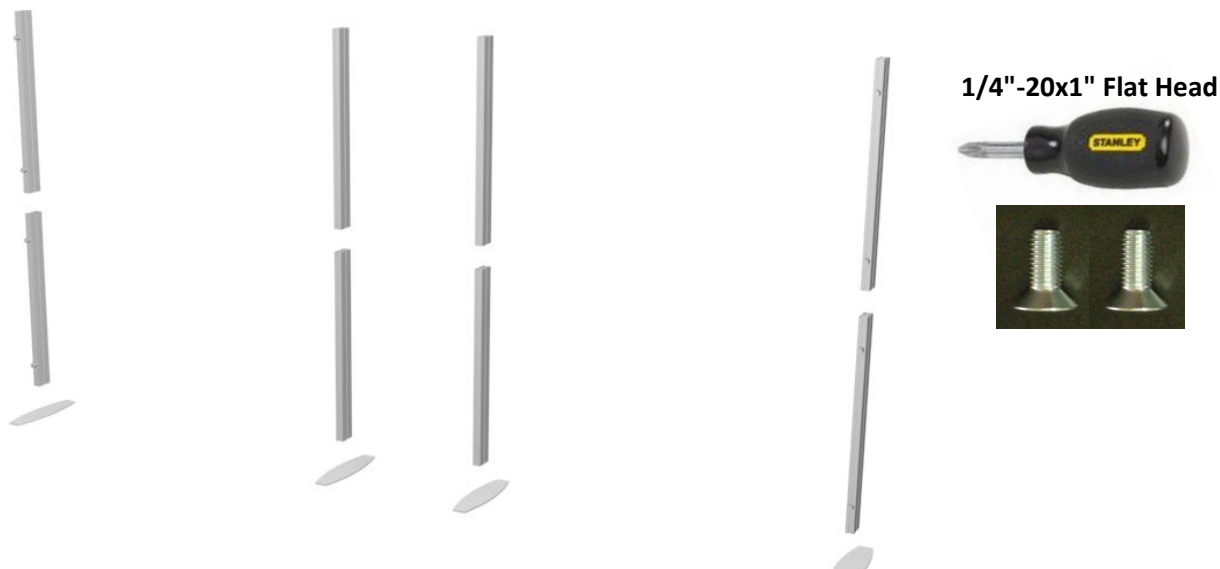
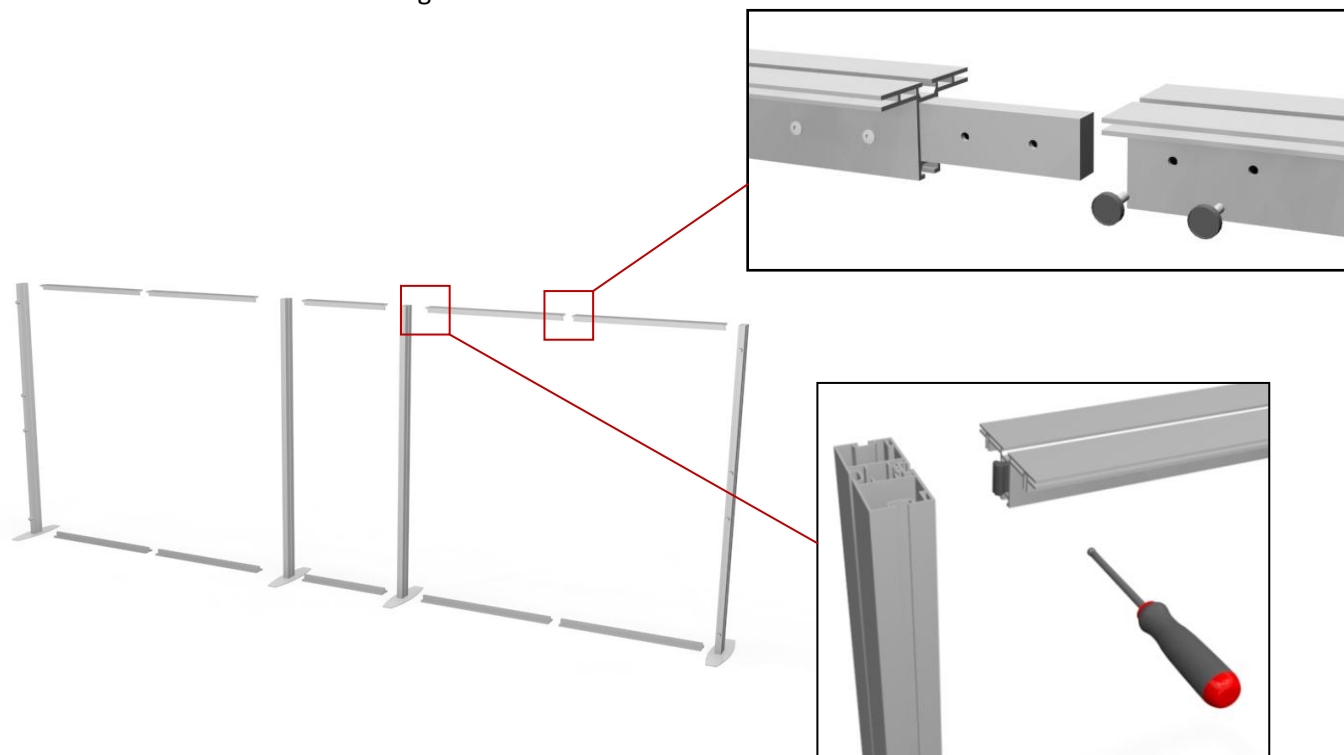


Step 1: Attach lower columns to base plate using (2) **1/4"-20 x 1" Flat Head**; then attach upper columns to lower columns using (2) **XVline Knobs**



Step 2: Assemble columns with (2) **XVline Knobs**; Then attach to the columns using **5mm Hex**



Step 3: Attach LED light strips



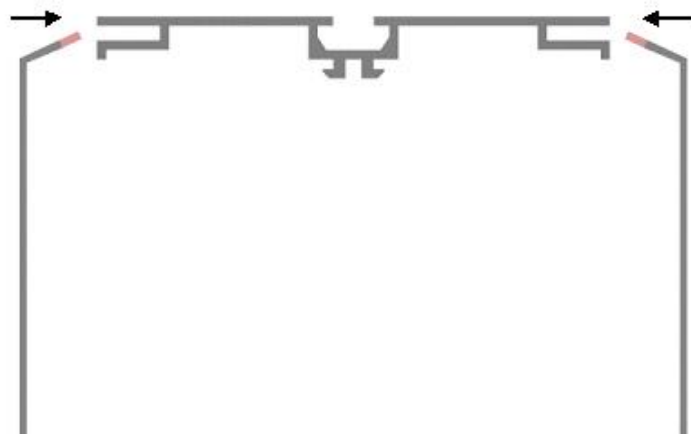
Step 4: Attach Graphics



Graphic Installation



Profile View



Step 5: Attach wings using standoffs



Finished

