

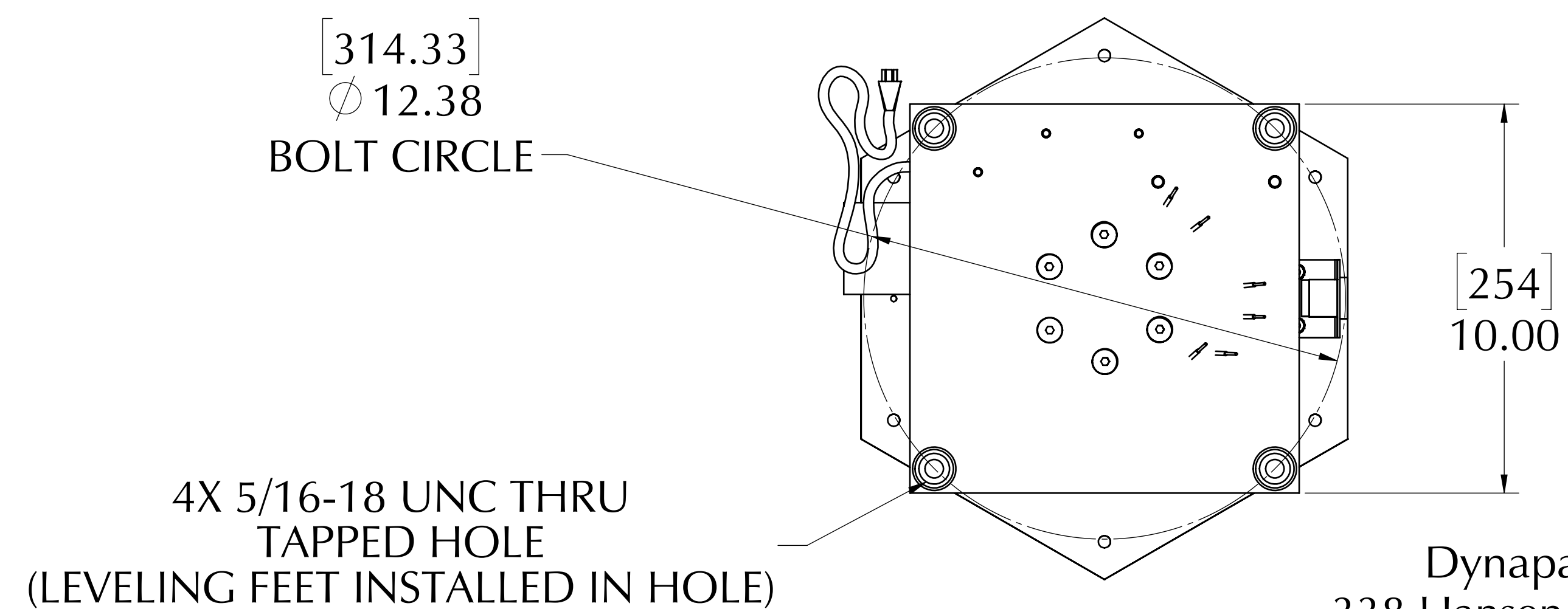
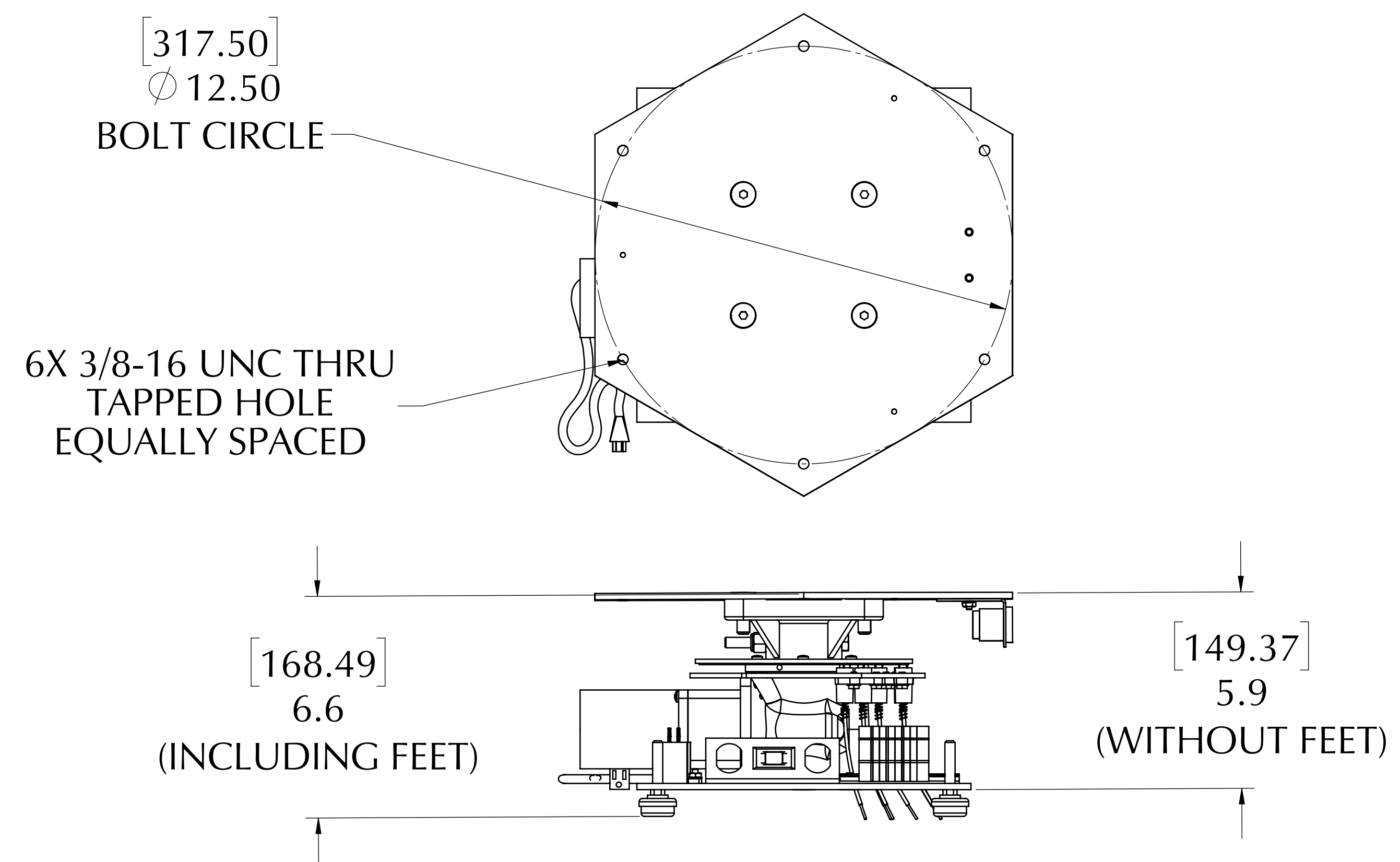
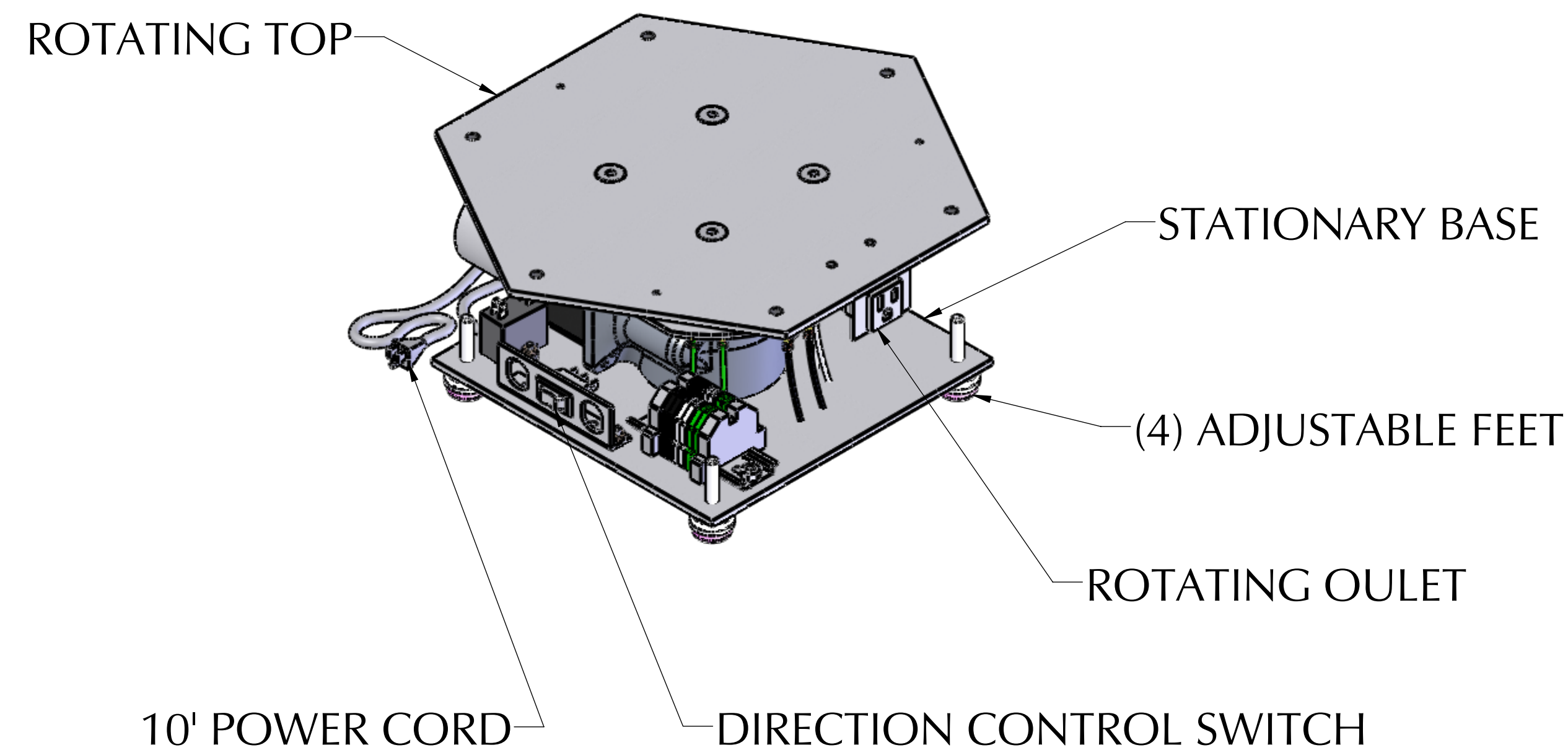


IR-650 With Collector Ring

Part Number: 153015 321 6W

The IR-650 is an updated version of the IR-600 with a more robust design and greater amount of torque. Unit is completely interchangeable with existing IR-300/600 installations. Comes with pre-tapped holes in the turntable that make mounting quick and simple. 8' power cord comes standard.

Hanging Weight Capacity.....none
 Compressive Weight Capacity.....650 lbs [294.8 kg]
 Max Display Size.....6' x 6' [1.8m x 1.8m]
 Standard RPM.....2
 Torque Output @ 2 RPM.....95 in-lbs [10.7 Nm]
 Motor Draw.....0.18A (22 watts)
 Safety Clutch.....Standard Feature
 Collector Ring Capacity.....15A at 115 V
 Shipping Weight.....28 lbs [12.7 kg]



Dynapac Rotating Company Inc.
 338 Hansen Ave., Salt Lake City, UT 84115
 Phone: 801-485-2221 • Fax: 801-485-2254
 email: info@dynapacrotating.com • www.dynapacrotating.com