



SET-UP MANUAL

OVERVIEW
PG. 2-3

LARGE FRAME ASSEMBLY
PG. 4-8

CENTER FRAME ASSEMBLY
PG. 9-12

MONITOR MOUNT
PG. 13

SMALL FRAME ASSEMBLY
PG. 14-17

SEG ASSEMBLY / CARE
PG. 18

PACKING
PG. 19

8

7

6

5

4

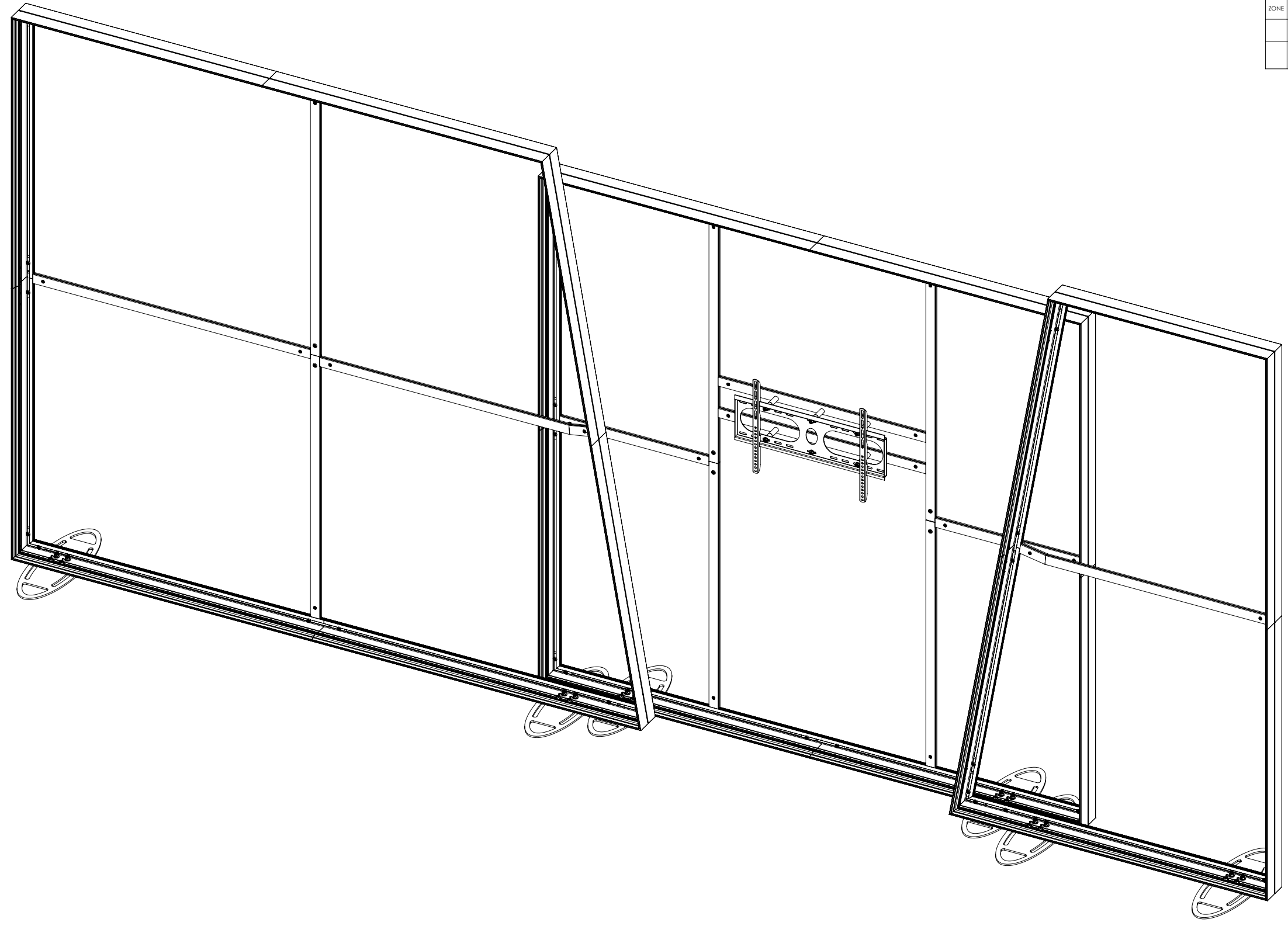
3

2

1

REVISIONS				
ZONE	REV.	DESCRIPTION	DATE	APPROVED
	A	READY FOR PRODUCTION	8/16/2016	AR
	B	REMOVED 3RD 24400 BAR FROM CENTER FRAME AND REMOVED ALL 5 INCH WELDMENT CORNERS	9/25/2017	AR

OVERVIEW



NOTES: UNLESS OTHERWISE SPECIFIED

- ASSEMBLY TIME:
2-1/2 HOURS WITH 2 PEOPLE.

ANGLE-TRI-CENTER SINGLE SIDED FRAMES

DRAWN		NAME	DATE	NIEDO GROUP, INC	
CHECKED		ALEX R.	8/16/2016	TITLE:	
ENG APPR.				ANGLE-TRI-CENTER	
MFG APPR.				SINGLE-SIDED FRAME	
Q.A.				SIZE	DWG. NO.
COMMENTS:				D	ATC-216x96SSF-5inC
				SCALE: 1:16	REV B
					SHEET 1 OF 15

PROPRIETARY AND CONFIDENTIAL
THE INFORMATION CONTAINED IN THIS
DRAWING IS THE SOLE PROPERTY OF
NIEDO GROUP, INC. ANY REPRODUCTION
IN PART OR AS A WHOLE WITHOUT
THE WRITTEN PERMISSION OF NIEDO
GROUP IS PROHIBITED.

8

7

6

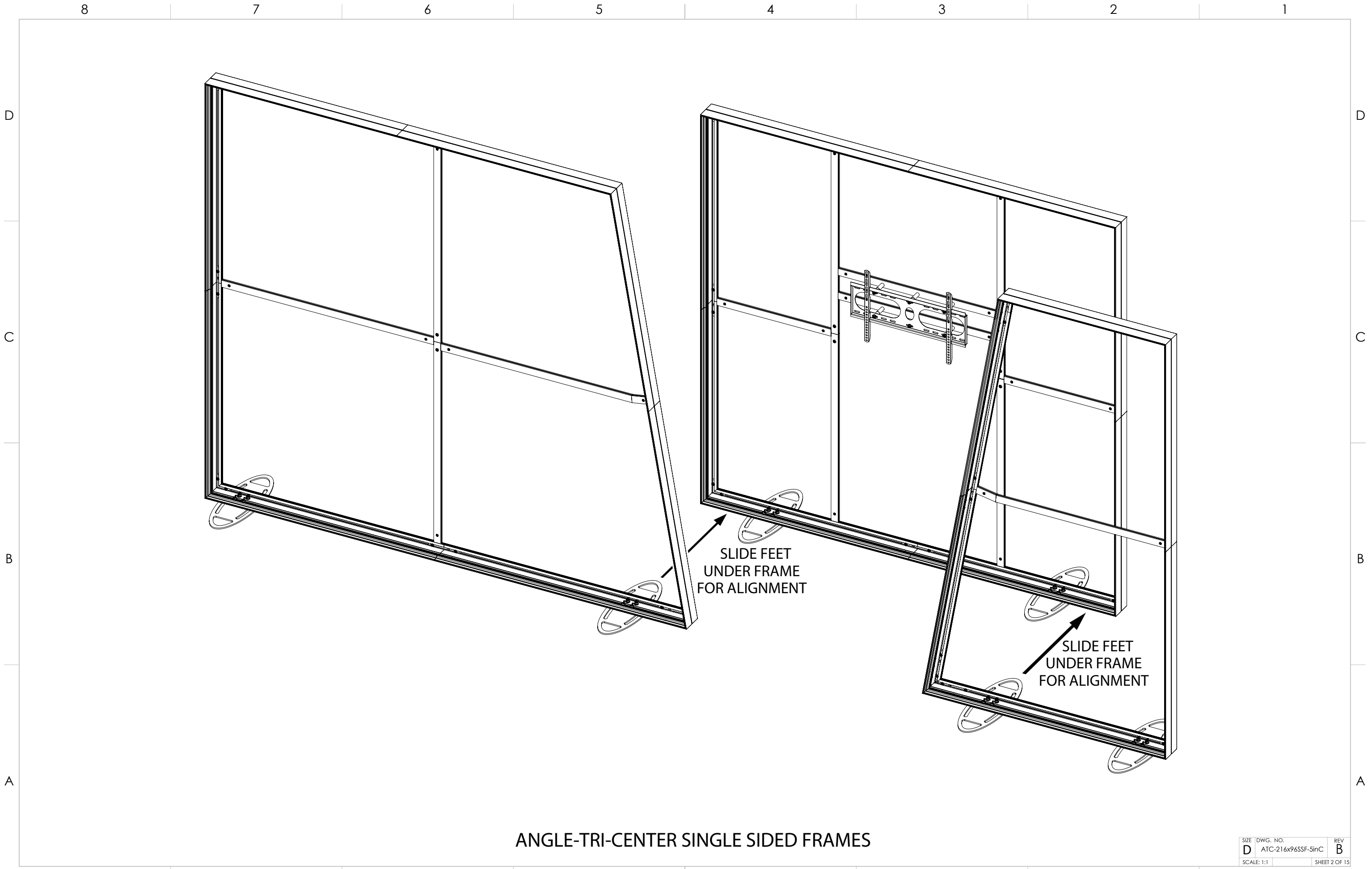
5

4

3

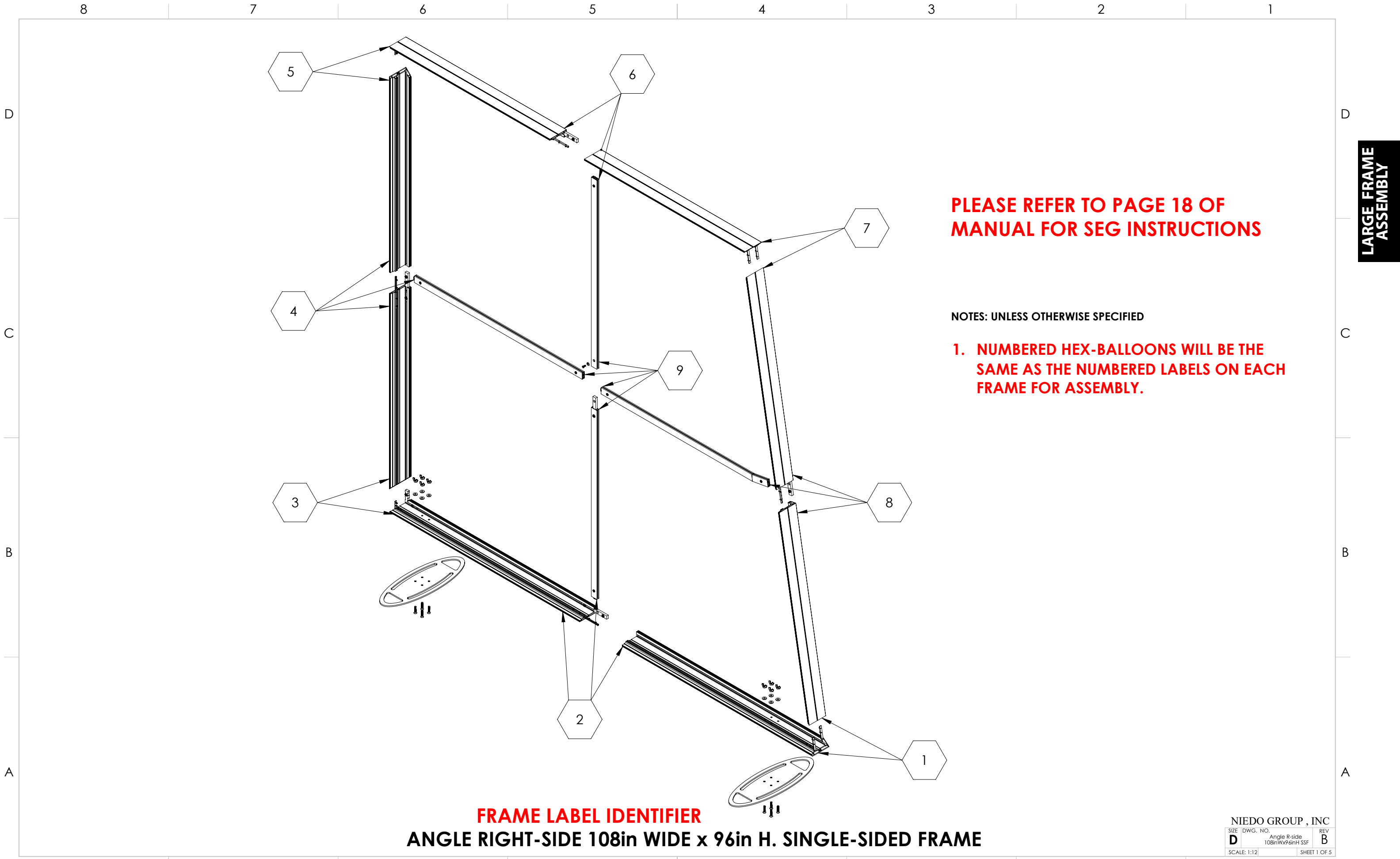
2

1



ANGLE-TRI-CENTER SINGLE SIDED FRAMES

SIZE	DWG. NO.	REV
D	ATC-216x96SSF-5inC	B
SCALE: 1:1	SHEET 2 OF 15	



**PLEASE REFER TO PAGE 18 OF
MANUAL FOR SEG INSTRUCTIONS**

NOTES: UNLESS OTHERWISE SPECIFIED

- 1. NUMBERED HEX-BALLOONS WILL BE THE SAME AS THE NUMBERED LABELS ON EACH FRAME FOR ASSEMBLY.**

**LARGE FRAME
ASSEMBLY**

FRAME LABEL IDENTIFIER
ANGLE RIGHT-SIDE 108in WIDE x 96in H. SINGLE-SIDED FRAME

NIEDO GROUP, INC			
SIZE	DWG. NO.	REV	
D	Angle R-side 108inWx96inH SSF	B	
SCALE: 1:12	SHEET 1 OF 5		

8

7

6

5

4

3

2

1

D

D

C

C

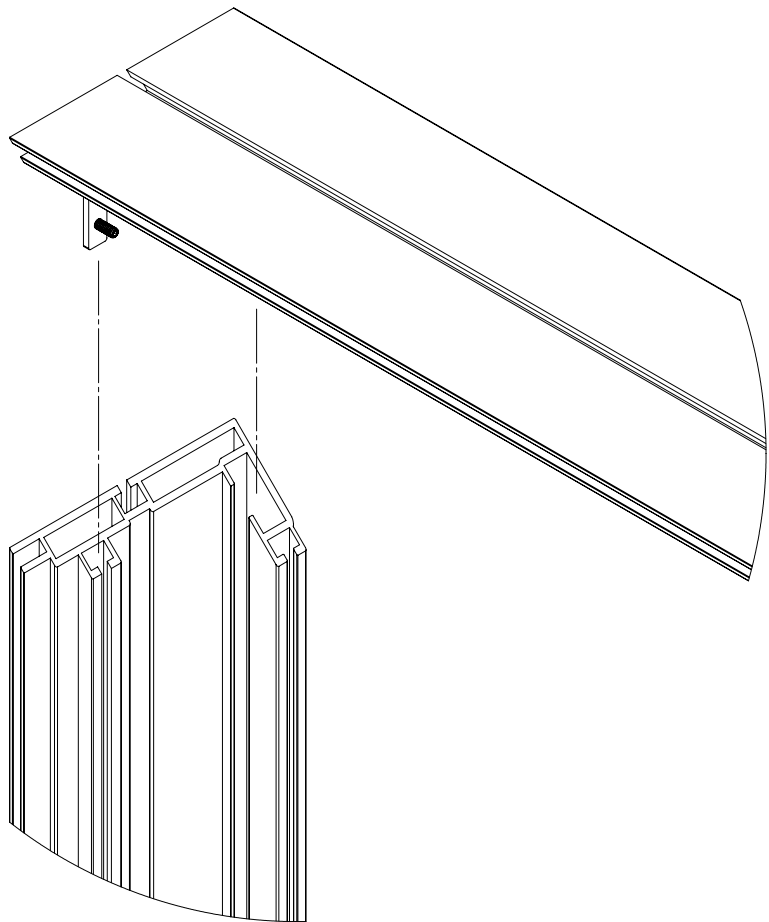
B

B

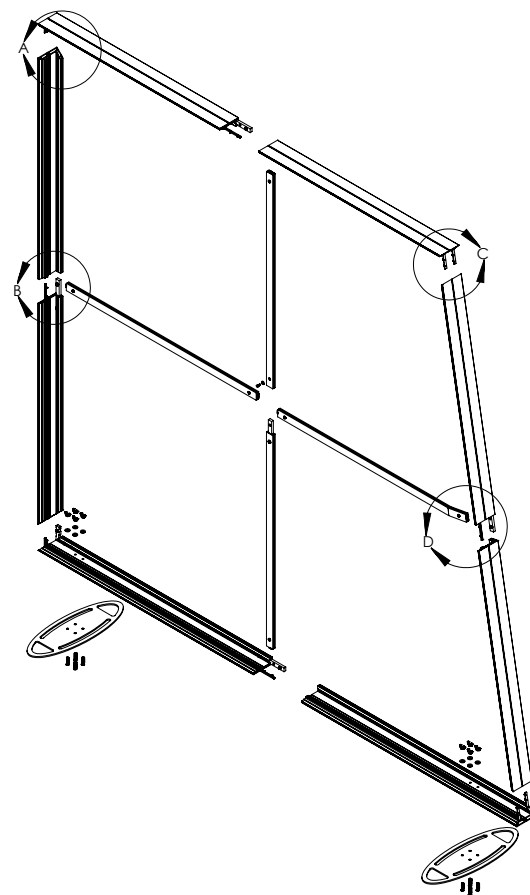
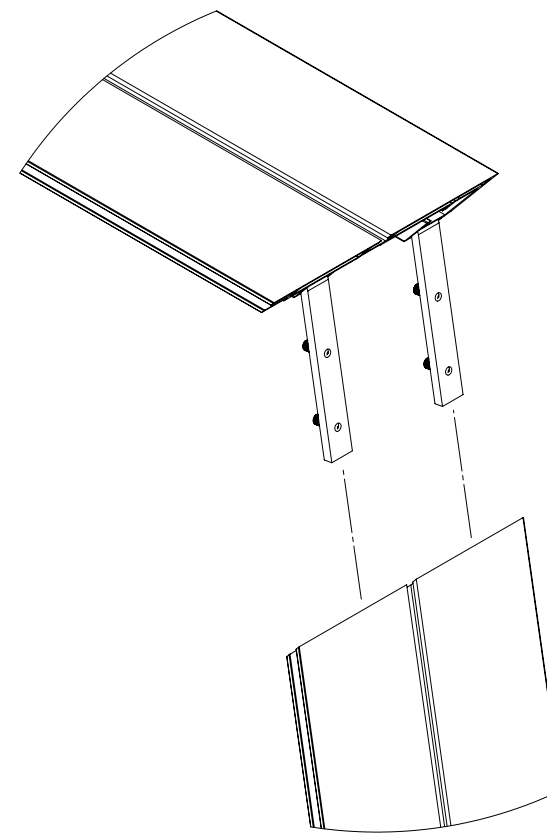
A

A

DETAIL A
SCALE 3 : 4

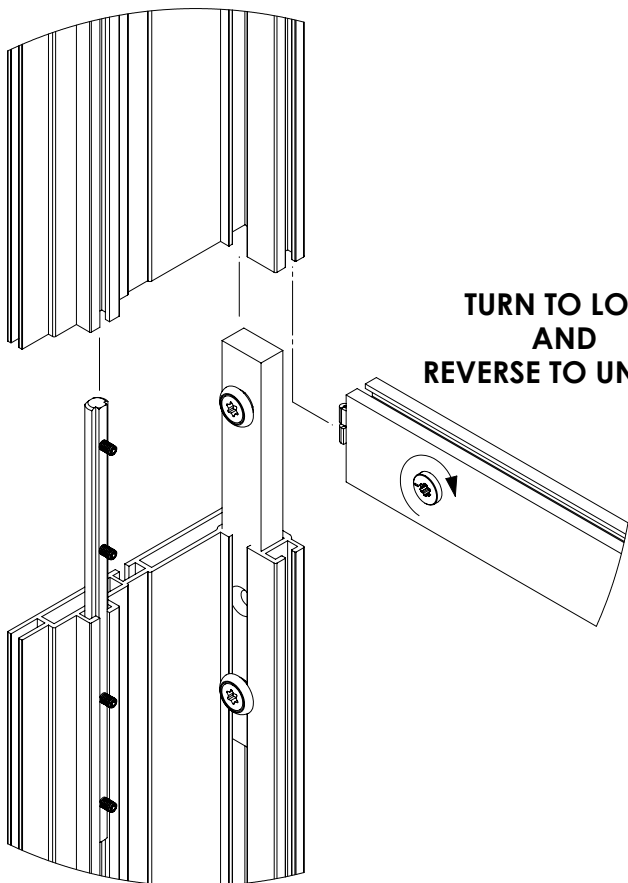


DETAIL C
SCALE 3 : 4



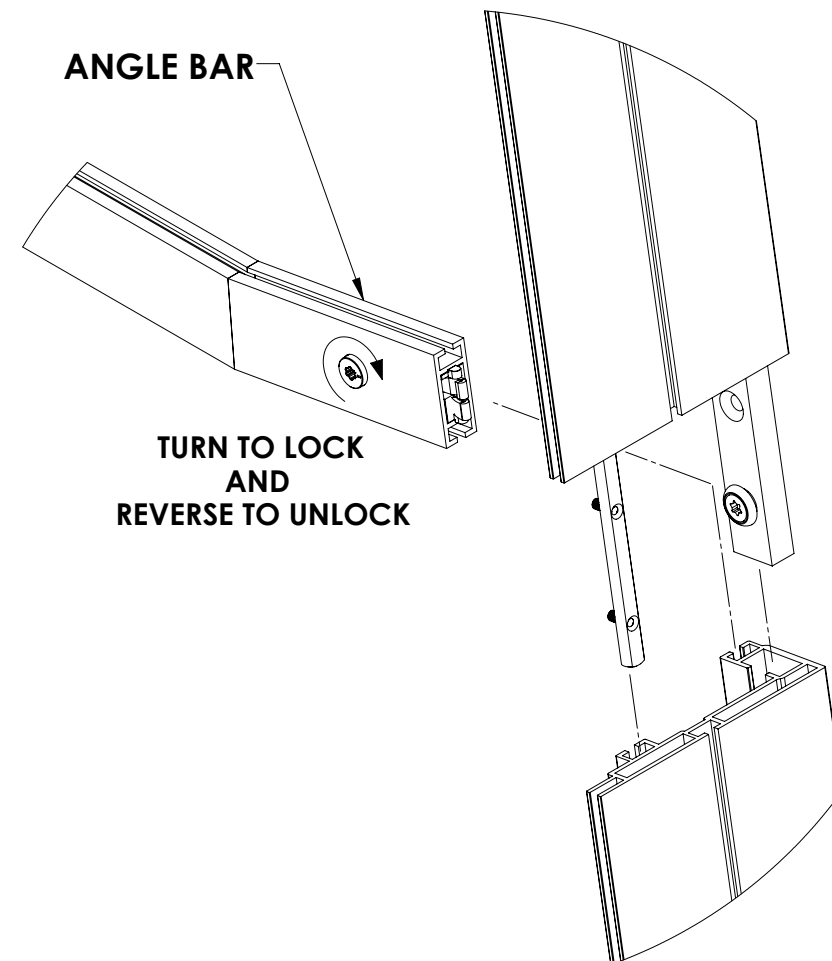
TURN TO LOCK
AND
REVERSE TO UNLOCK

DETAIL B
SCALE 3 : 4



ANGLE BAR

TURN TO LOCK
AND
REVERSE TO UNLOCK



DETAIL D
SCALE 3 : 4

LARGE FRAME
ASSEMBLY

SIZE	DWG. NO.	REV
D	Angle R-side 108inWx96inH SSF	B
SCALE: 1:12/WEIGHT:		SHEET 2 OF 5

8

7

6

5

4

3

2

1

8

7

6

5

4

3

2

1

D

C

B

A

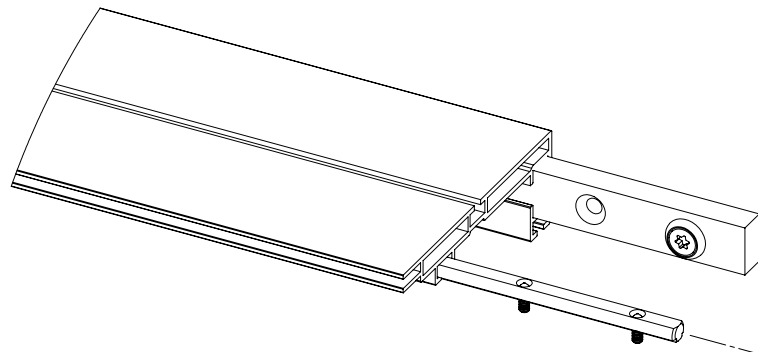
D

C

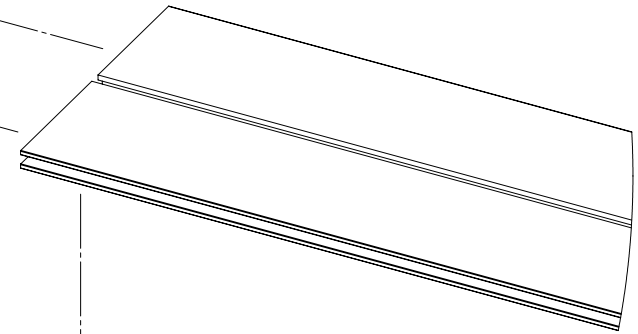
B

A

LARGE FRAME ASSEMBLY



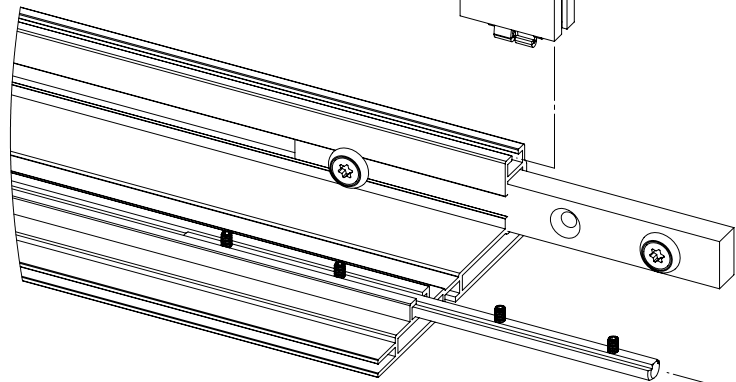
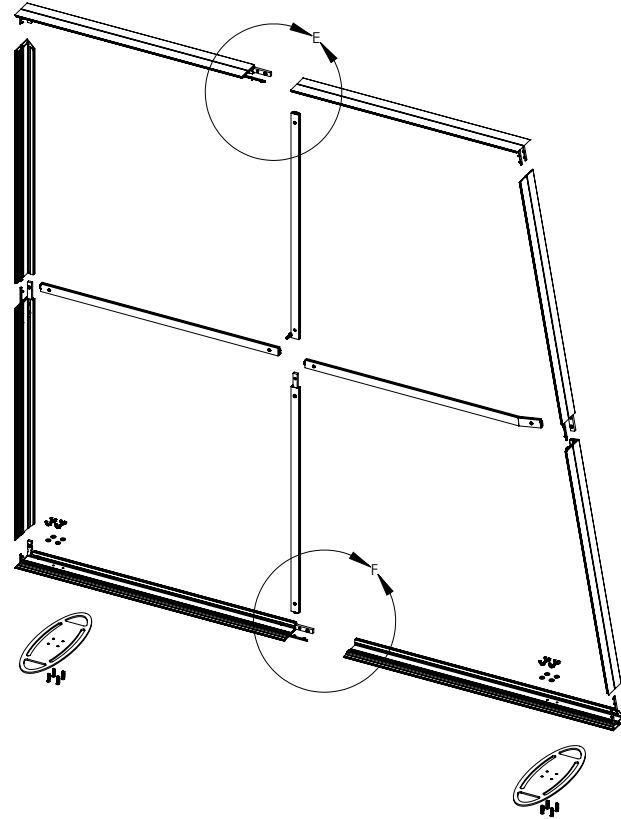
DETAIL E
SCALE 3 : 4



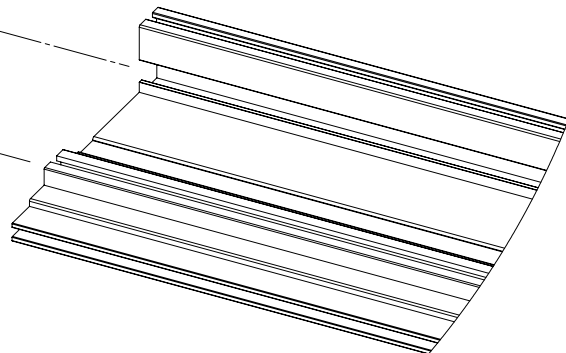
TURN TO LOCK
AND
REVERSE TO UNLOCK



TURN TO LOCK
AND
REVERSE TO UNLOCK



DETAIL F
SCALE 3 : 4



SIZE	DWG. NO.	REV
D	Angle R-side 108inWx96inH SSF	B
SCALE: 1:12/WEIGHT:		SHEET 3 OF 5

8

7

6

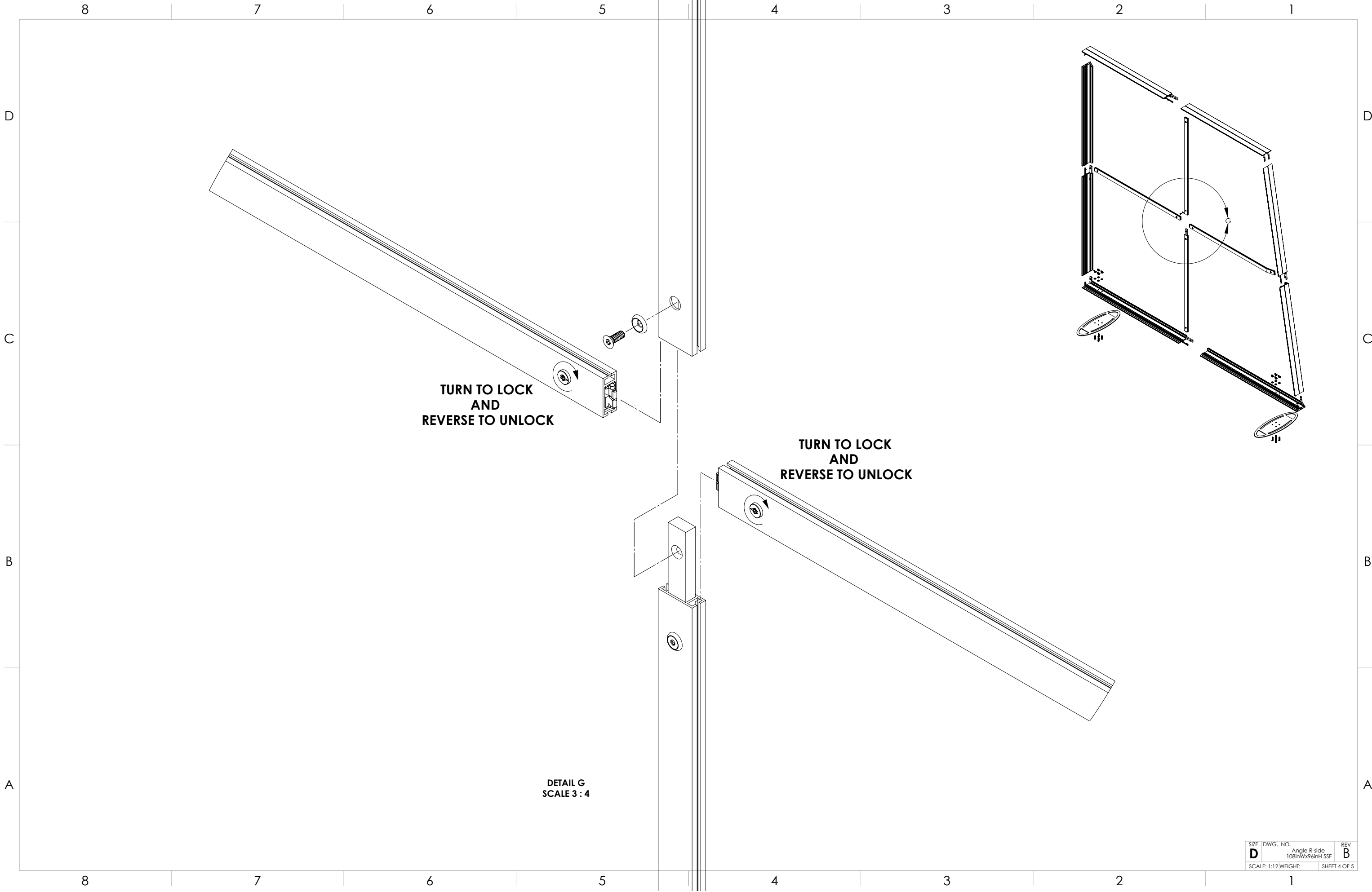
5

4

3

2

1



LARGE FRAME ASSEMBLY

**TURN TO LOCK
AND
REVERSE TO UNLOCK**

**TURN TO LOCK
AND
REVERSE TO UNLOCK**

**DETAIL G
SCALE 3 : 4**

SIZE	DWG. NO.	REV
D	Angle R-side 108inWx96inH SSF	B
SCALE: 1:12/WEIGHT:	SHEET 4 OF 5	

8

7

6

5

4

3

2

1

D

D

C

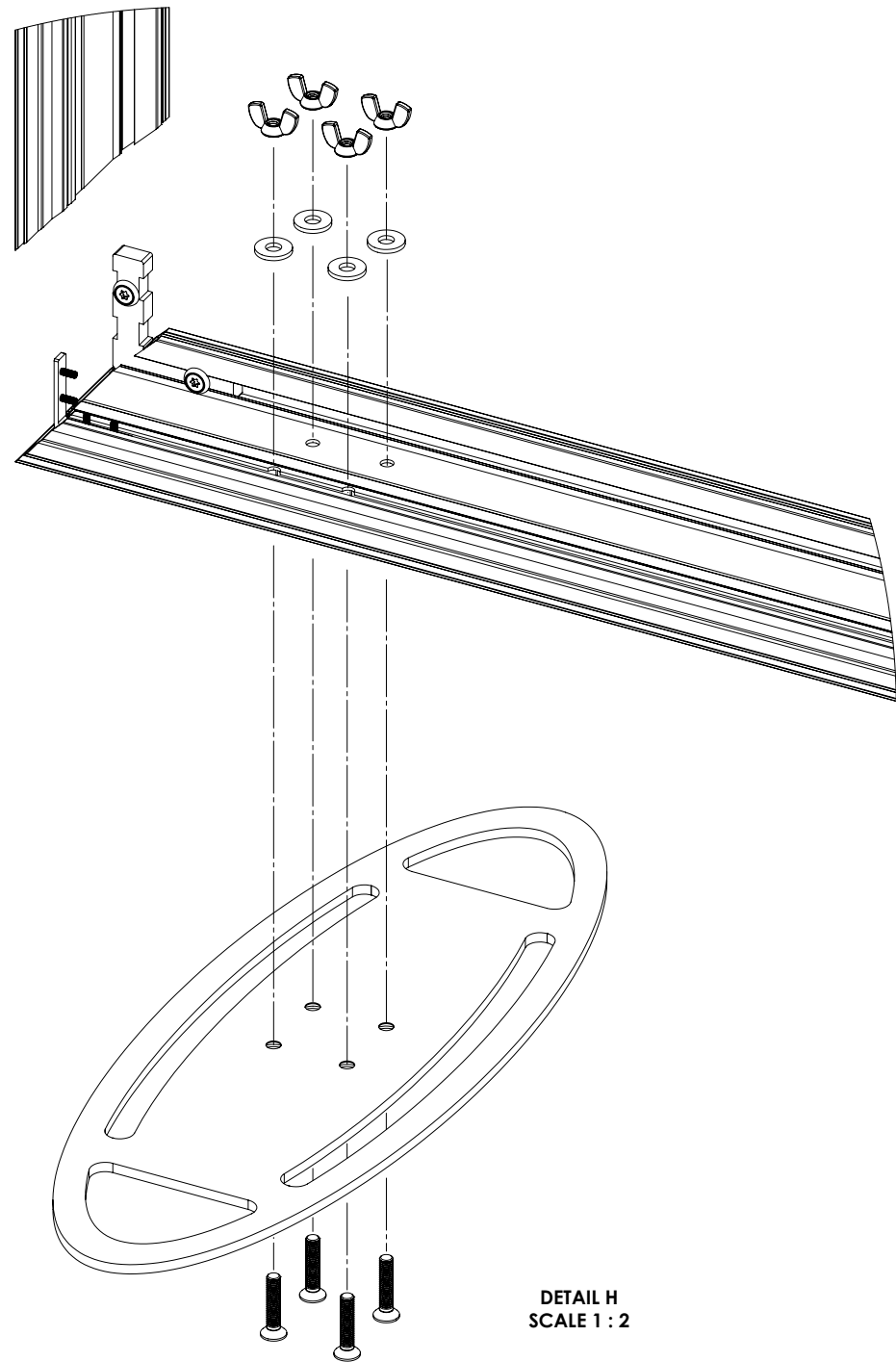
C

B

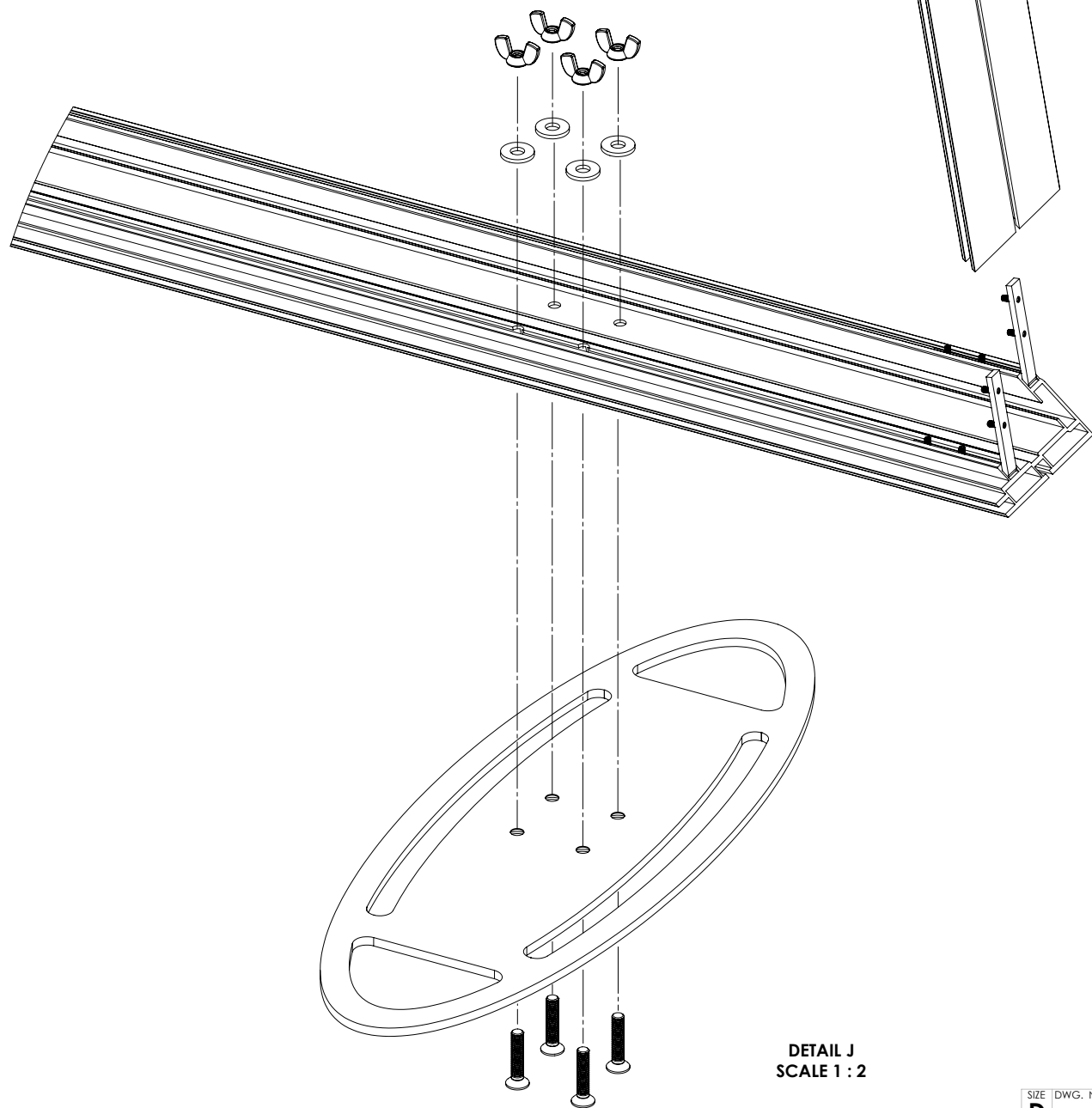
B

A

A



DETAIL H
SCALE 1 : 2



DETAIL J
SCALE 1 : 2

LARGE FRAME
ASSEMBLY

SIZE	DWG. NO.	REV
D	Angle R-side 108inWx96inH SSF	B
SCALE: 1:12/WEIGHT:		SHEET 5 OF 5

8

7

6

5

4

3

2

1

8

7

6

5

4

3

2

1

D

D

C

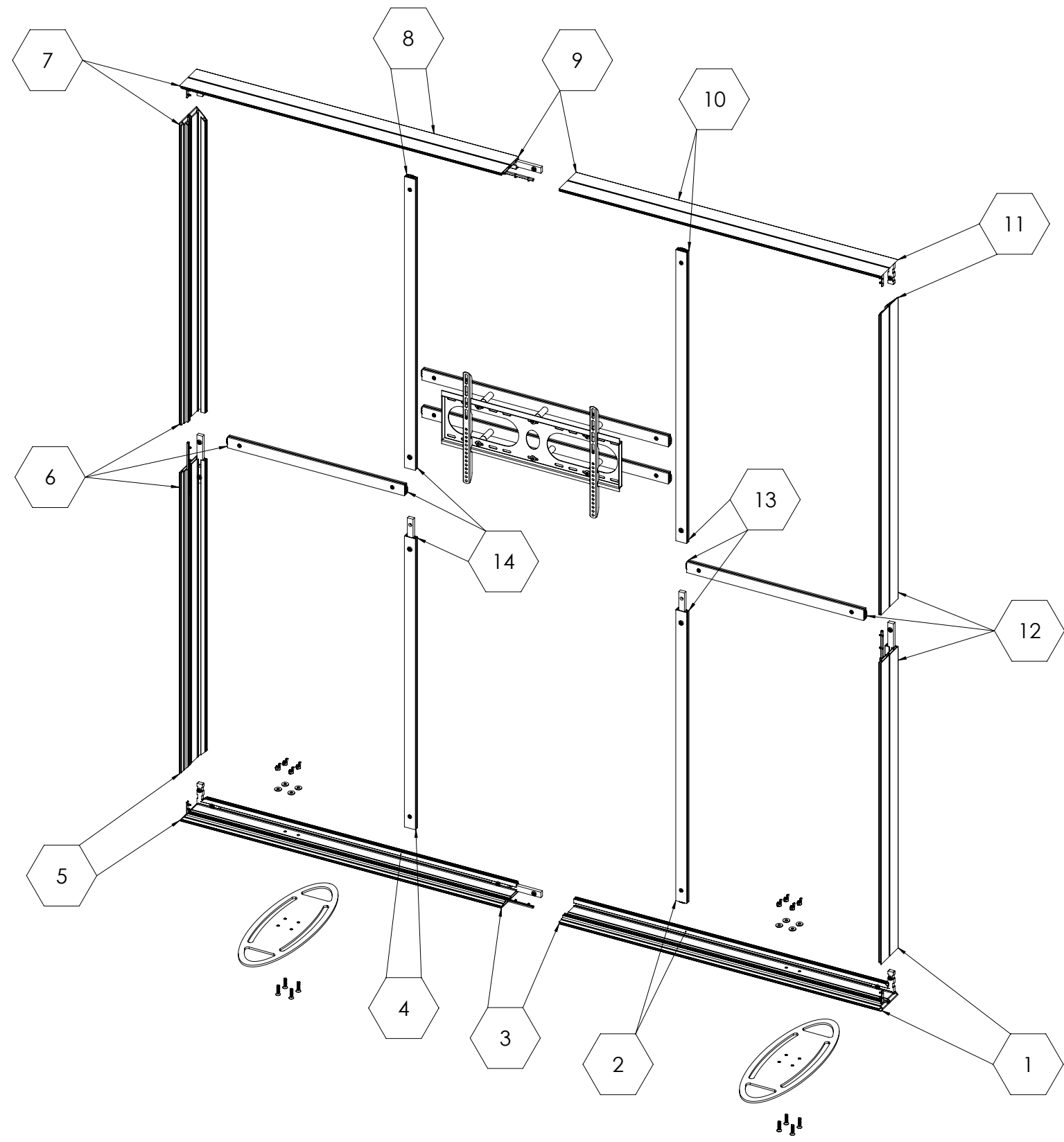
C

B

B

A

A



**PLEASE REFER TO PAGE 18 OF
MANUAL FOR SEG INSTRUCTIONS**

- NOTES: UNLESS OTHERWISE SPECIFIED**
1. **NUMBERED HEX-BALLOONS WILL BE THE SAME AS THE NUMBERED LABELS ON EACH FRAME FOR ASSEMBLY.**

**CENTER FRAME
ASSEMBLY**

CENTER SINGLE-SIDED FRAME

SIZE	DWG. NO.	REV
D	ATC-216x96SSF-5inC	B
SCALE: 1:1	WEIGHT:	SHEET 6 OF 15

8

7

6

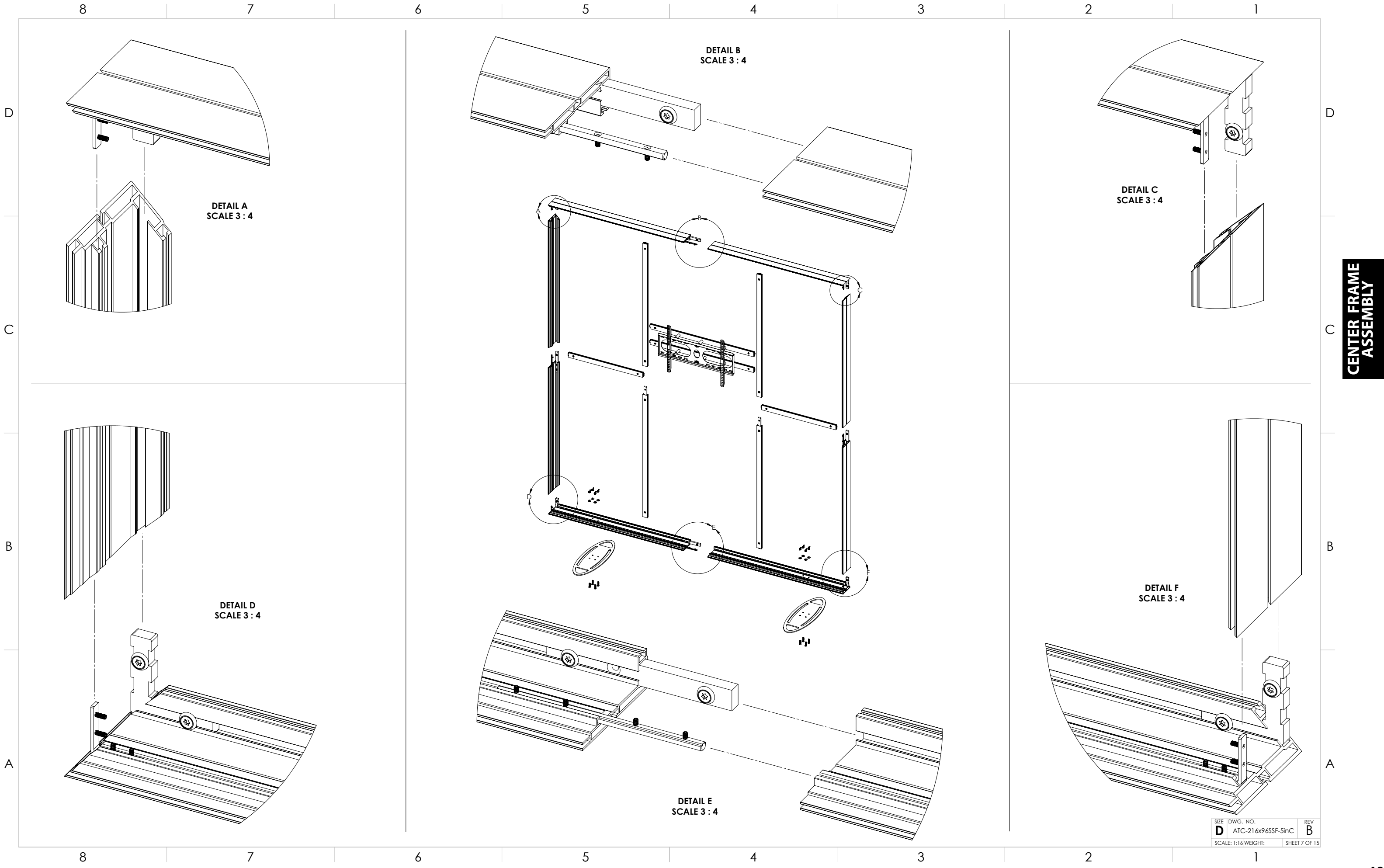
5

4

3

2

1



**CENTER FRAME
ASSEMBLY**

SIZE	DWG. NO.	REV
D	ATC-216x96SSF-5inC	B
SCALE: 1:16	WEIGHT:	SHEET 7 OF 15

8

7

6

5

4

3

2

1

D

C

B

A

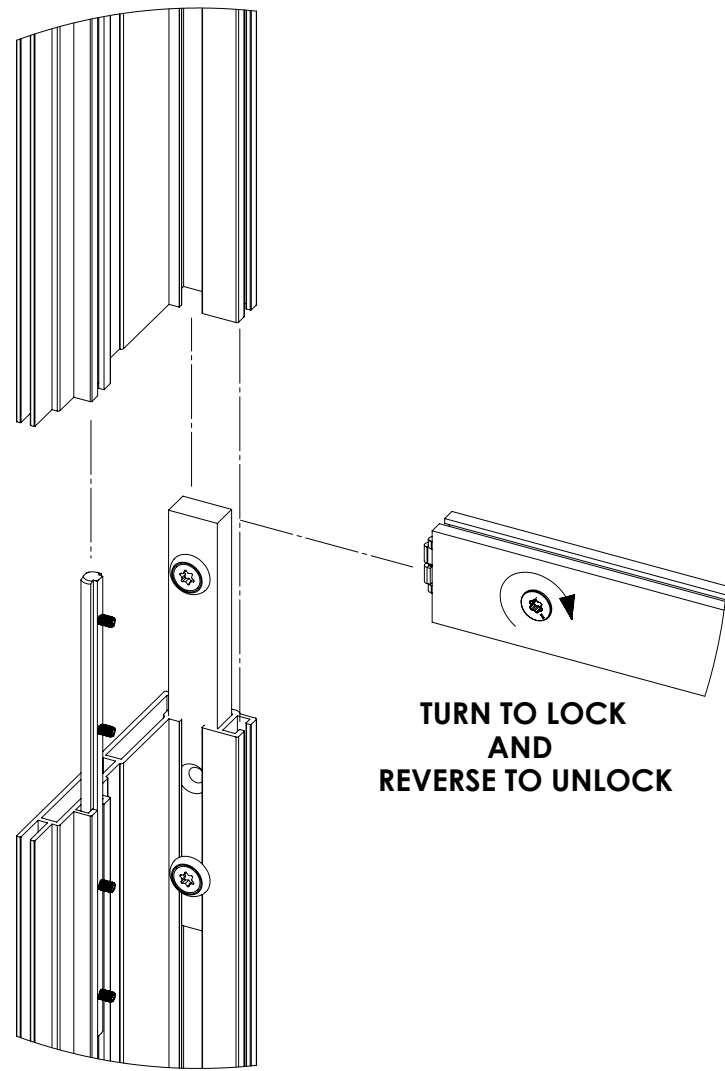
D

C

B

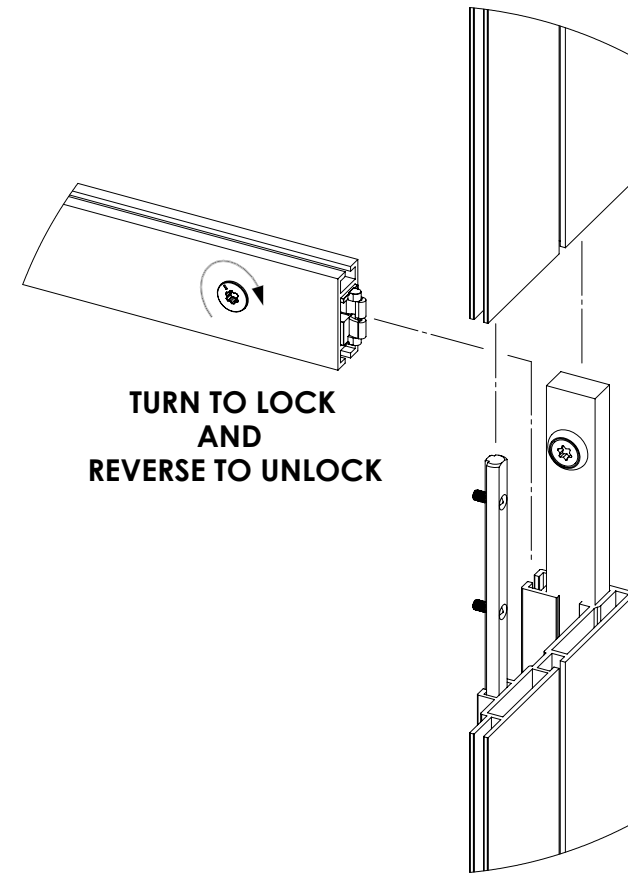
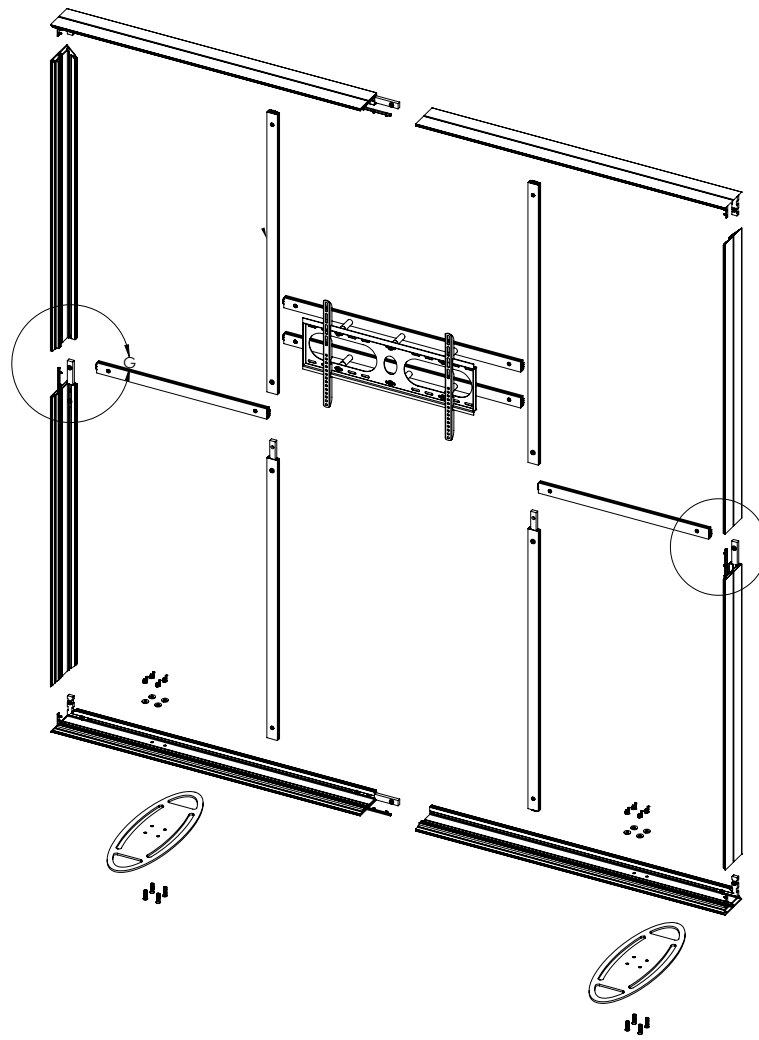
A

CENTER FRAME ASSEMBLY



**TURN TO LOCK
AND
REVERSE TO UNLOCK**

**DETAIL G
SCALE 3 : 4**



**TURN TO LOCK
AND
REVERSE TO UNLOCK**

**DETAIL H
SCALE 3 : 4**

8

7

6

5

4

3

2

1

SIZE	DWG. NO.	REV
D	ATC-216x96SSF-5inC	B
SCALE: 1:16/WEIGHT:		SHEET 8 OF 15

8

7

6

5

4

3

2

1

D

C

B

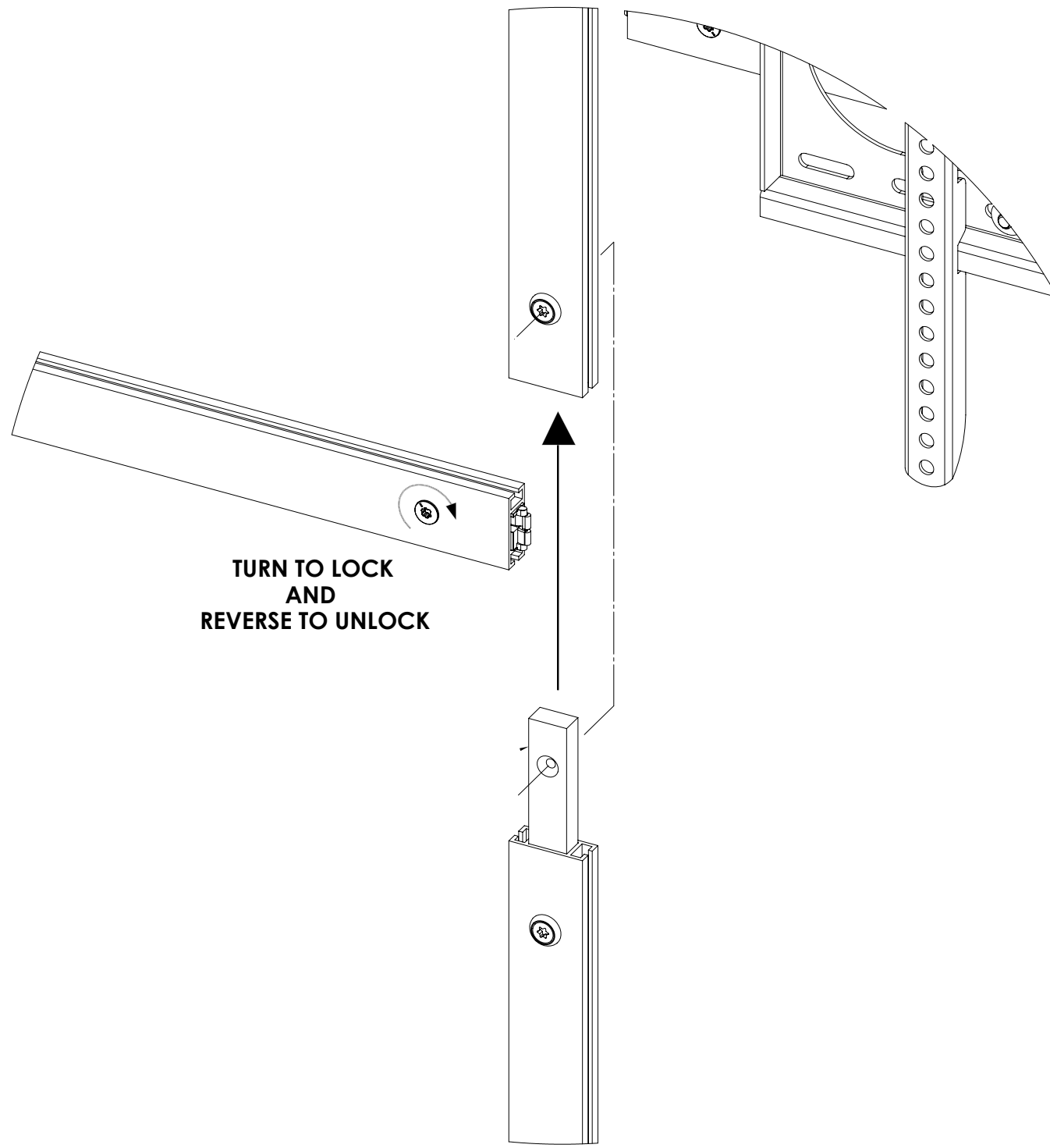
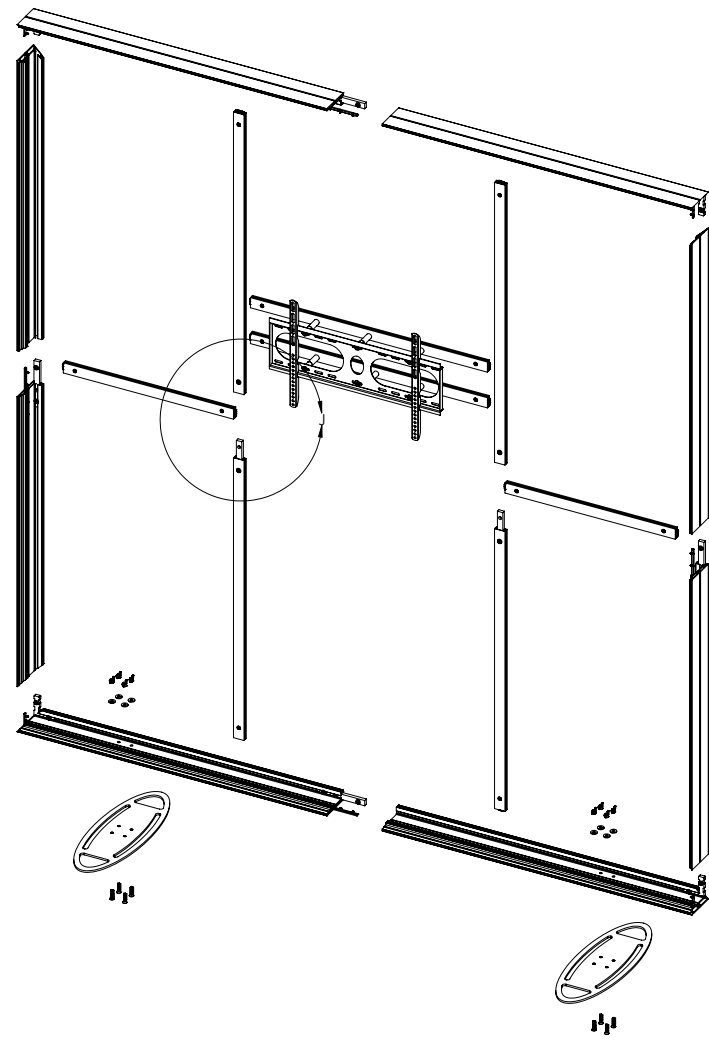
A

D

C

B

A



DETAIL J
SCALE 3 : 4

CENTER FRAME
ASSEMBLY

SIZE	DWG. NO.	REV
D	ATC-216x96SSF-5inC	B
SCALE: 1:16/WEIGHT:		SHEET 9 OF 15

8

7

6

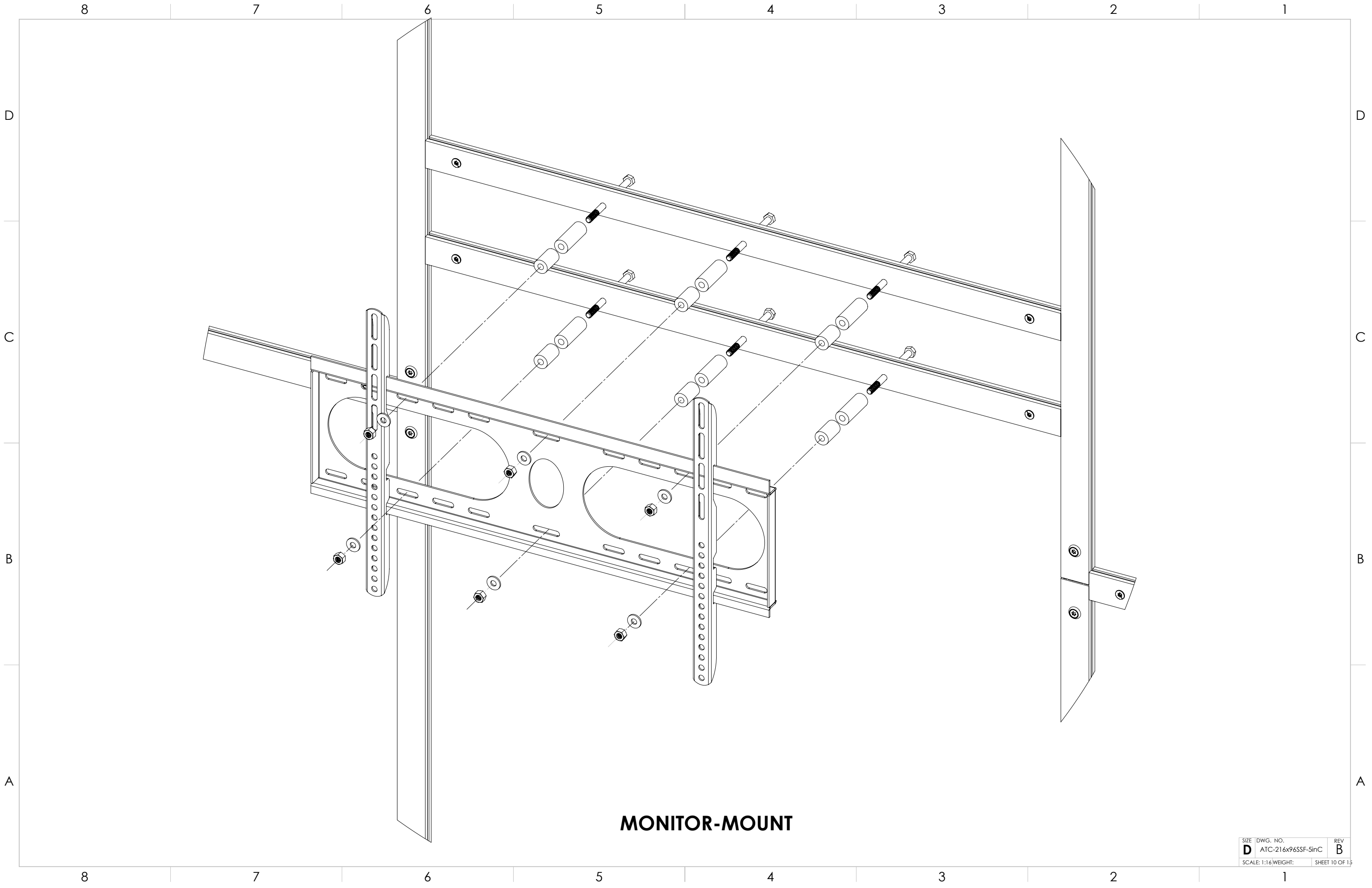
5

4

3

2

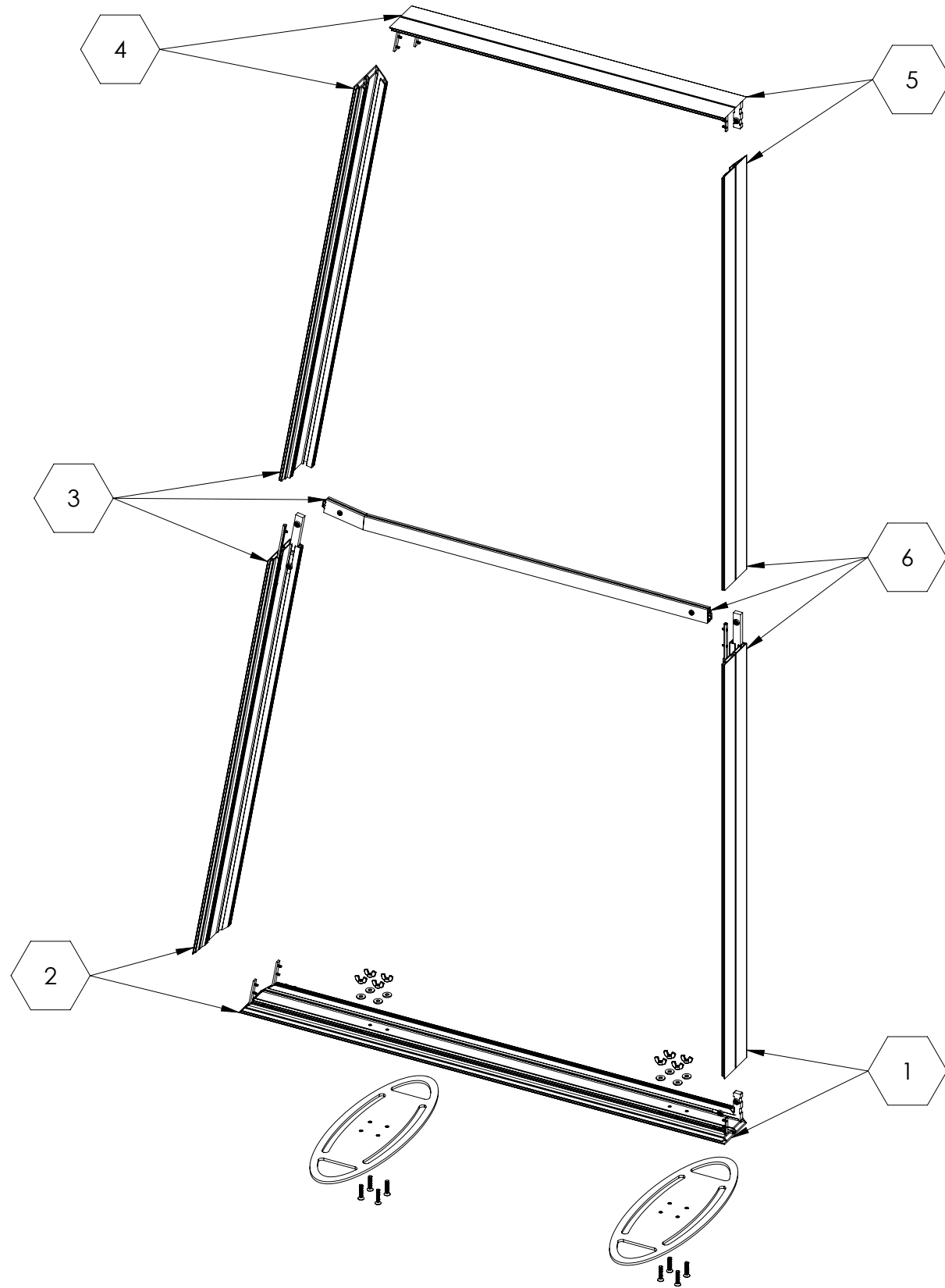
1



**MONITOR
MOUNT**

MONITOR-MOUNT

SIZE	DWG. NO.	REV
D	ATC-216x96SSF-5inC	B
SCALE: 1:16	WEIGHT:	SHEET 10 OF 15



**PLEASE REFER TO PAGE 18 OF
MANUAL FOR SEG INSTRUCTIONS**

NOTES: UNLESS OTHERWISE SPECIFIED

- 1. NUMBERED HEX-BALLOONS WILL BE THE SAME AS THE NUMBERED LABELS ON EACH FRAME FOR ASSEMBLY.**

**SMALL FRAME
ASSEMBLY**

FRAME LABEL IDENTIFIER
ANGLE LEFT-SIDE 54.60in WIDE x 96in H. SINGLE-SIDED FRAME

NIEDO GROUP, INC			
SIZE	DWG. NO.	REV	
D	Angle L-side 54.60inWx96inH SSF	B	
SCALE: 1:12/WEIGHT:			SHEET 1 OF 4

8

7

6

5

4

3

2

1

D

D

C

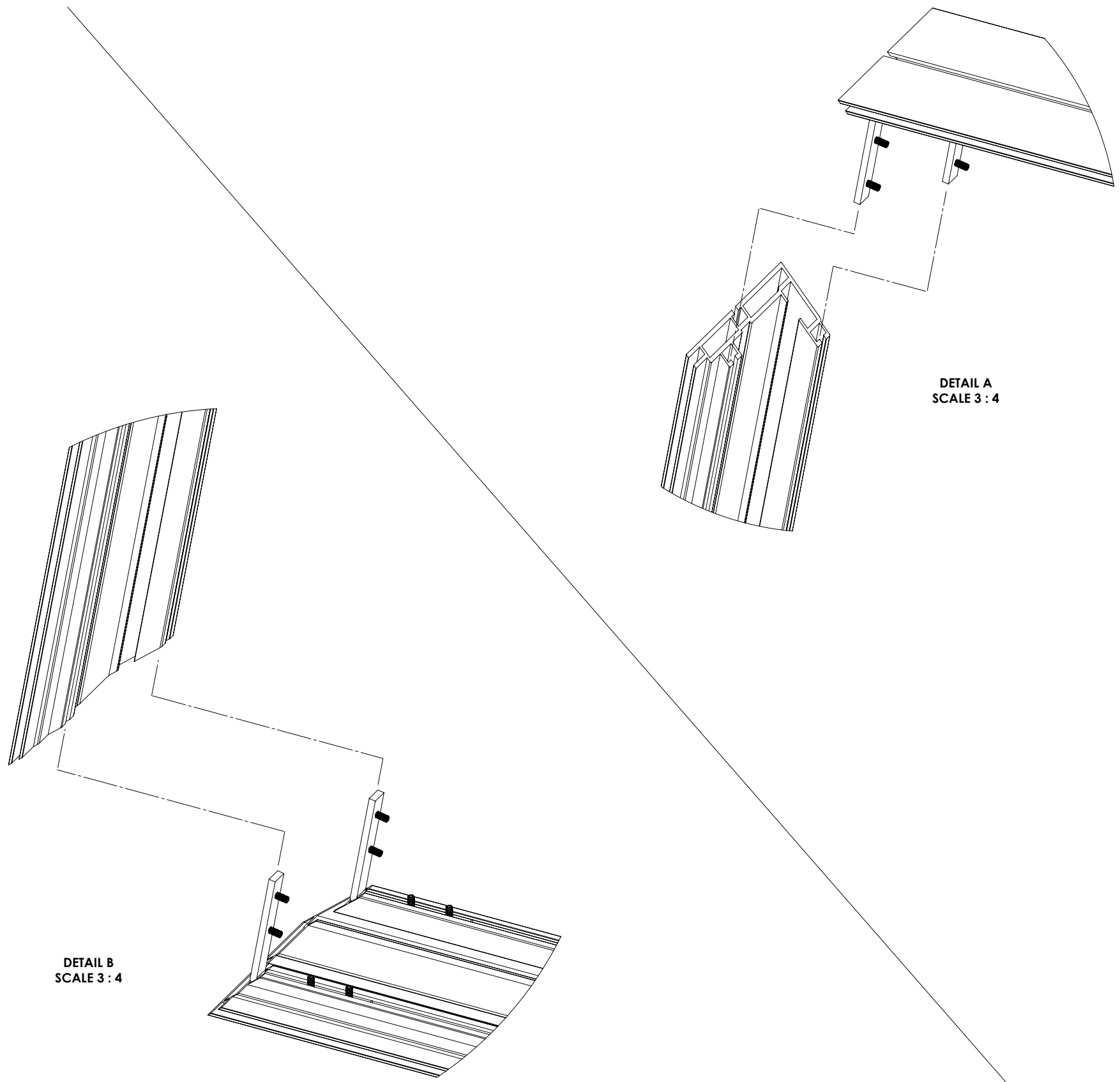
C

B

B

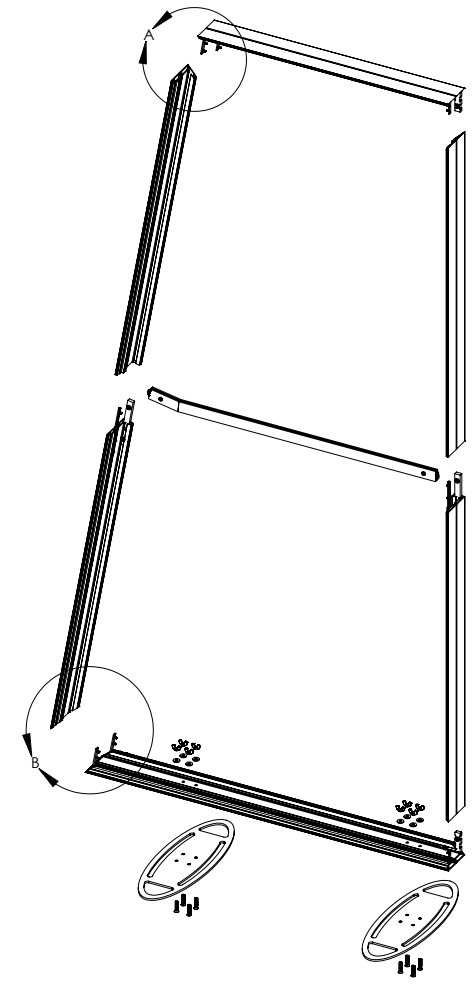
A

A



DETAIL B
SCALE 3:4

DETAIL A
SCALE 3:4



**SMALL FRAME
ASSEMBLY**

SIZE	DWG. NO.	REV
D	Angle L-side 54.60inWx94inH SSF	B
SCALE: 1:12	WEIGHT:	SHEET 2 OF 4

8

7

6

5

4

3

2

1

8

7

6

5

4

3

2

1

D

C

B

A

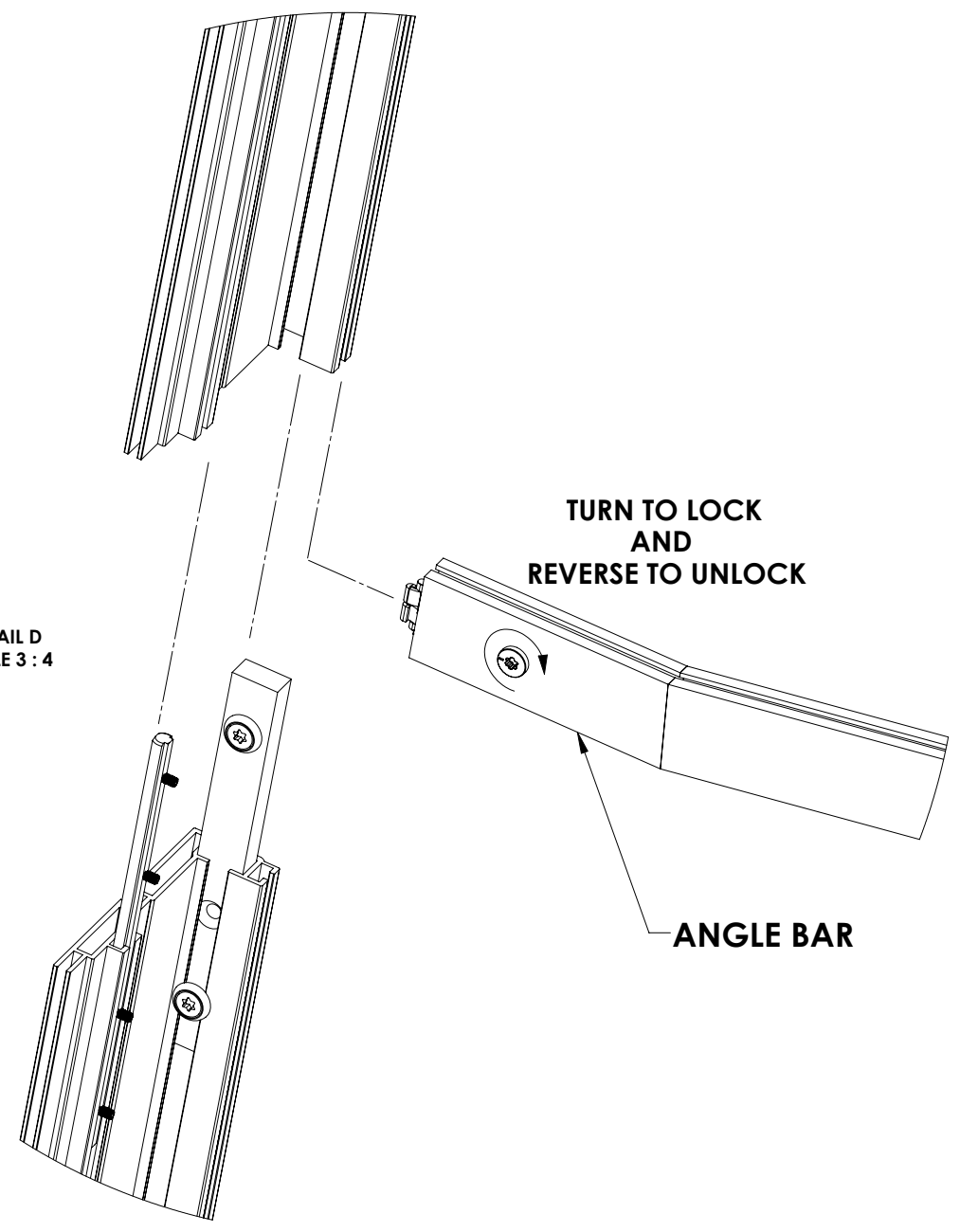
D

C

B

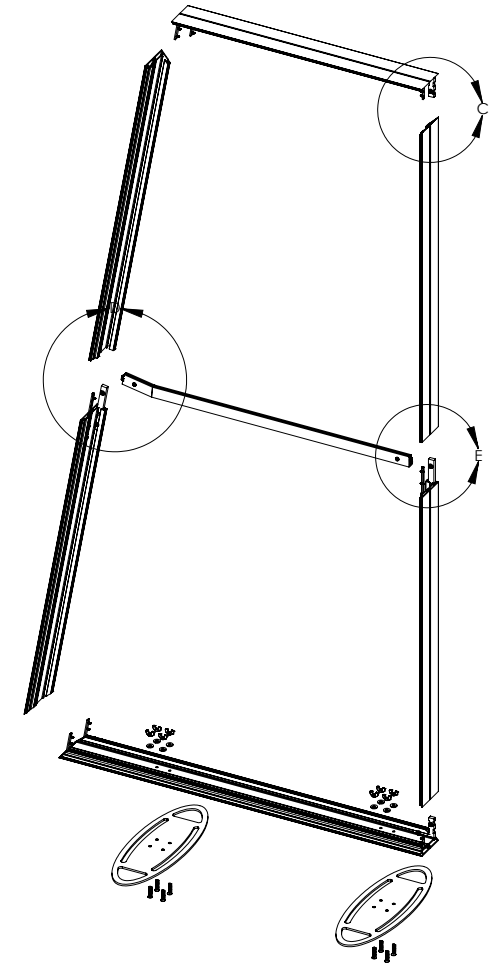
A

DETAIL D
SCALE 3 : 4



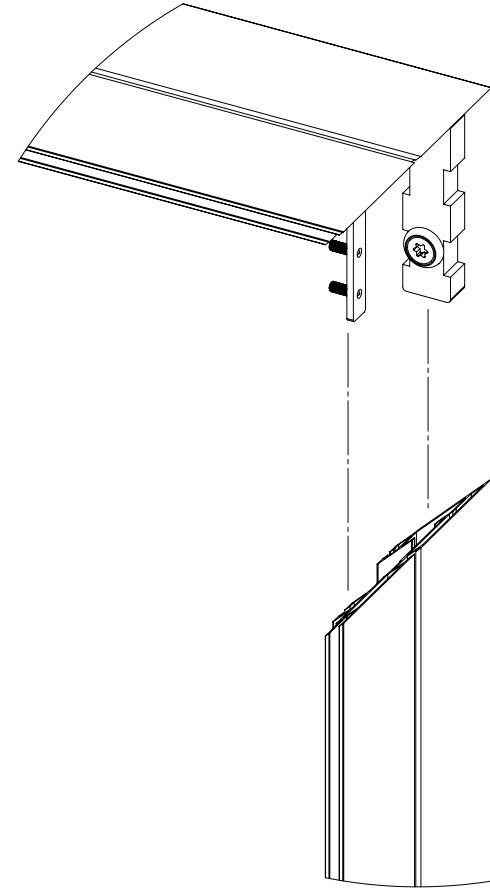
TURN TO LOCK
AND
REVERSE TO UNLOCK

ANGLE BAR

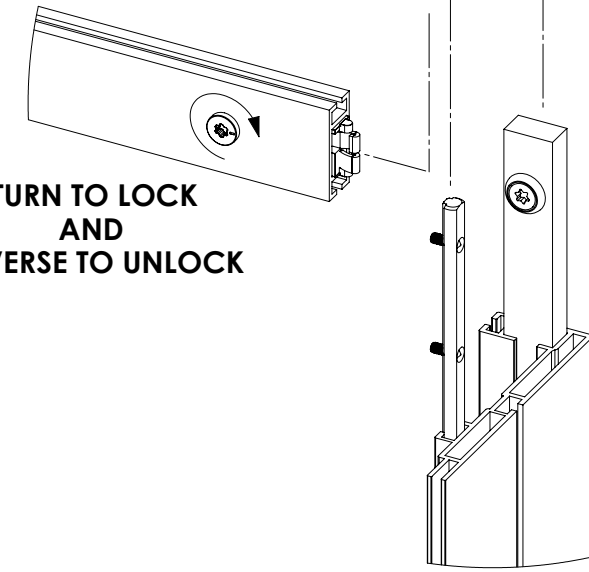


TURN TO LOCK
AND
REVERSE TO UNLOCK

DETAIL C
SCALE 3 : 4



DETAIL E
SCALE 3 : 4



SMALL FRAME
ASSEMBLY

SIZE	DWG. NO.	REV
D	Angle Lside 54.60inWx94inH SSF	B
SCALE: 1:12	WEIGHT:	SHEET 3 OF 4

8

7

6

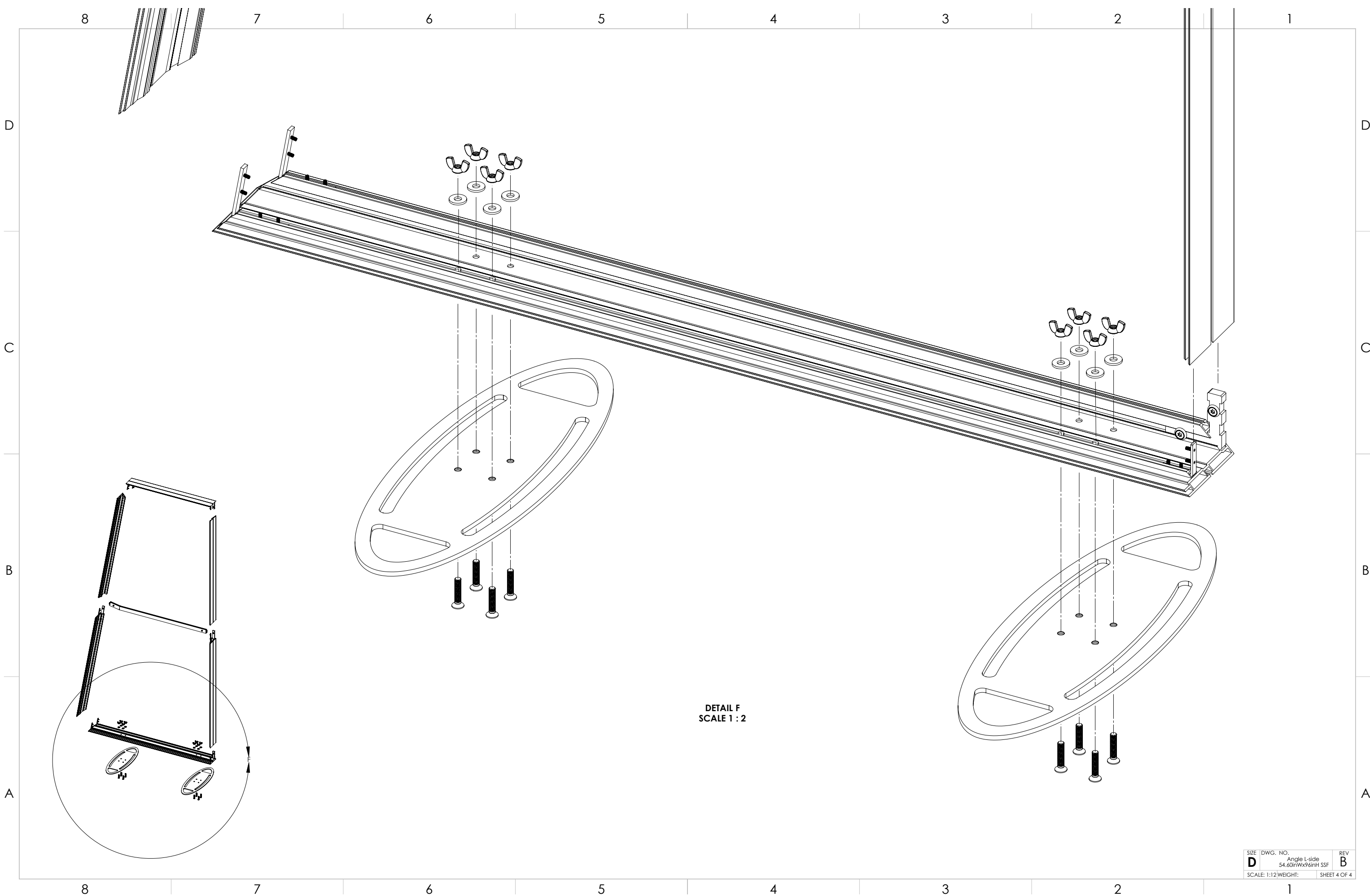
5

4

3

2

1



DETAIL F
SCALE 1 : 2

**SMALL FRAME
ASSEMBLY**

SIZE	DWG. NO.	REV
D	Angle L-side 54.60inWx9.2inH SSF	B
SCALE: 1:12/WEIGHT:		SHEET 4 OF 4



Silicone Edge Graphics (SEG)

Installation Instructions into hardware

What are Silicone Edge Graphics (SEG)?

SEG are dye-sublimation fabric graphics with silicone strips sewn along the underside of the fabric's edge. SEG frames have grooves along their perimeter designed to snugly hold the silicone strips so the fabric can be stretched across the frame for a drum-tight fit.



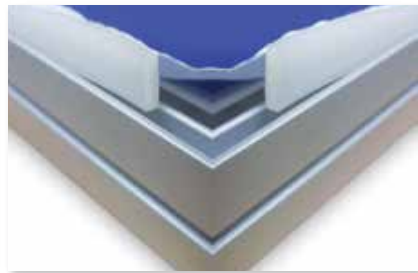
We recommend laying the frame on the floor, then draping the fabric graphic on top.

The following procedure ensures the silicone edge will be placed evenly over the entire frame and NOT STRETCH or GROW at the corners. Once all the edges have been secured, you should have a taut fit with a smooth flat finish.

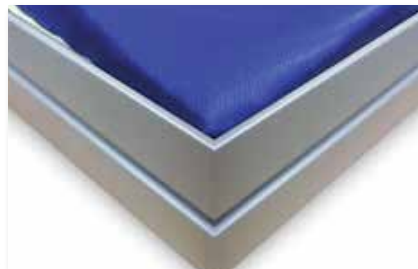
1: With Clean Hands,

Press SEG silicone edge first, into the corners of the frame.

INCORRECT WAY



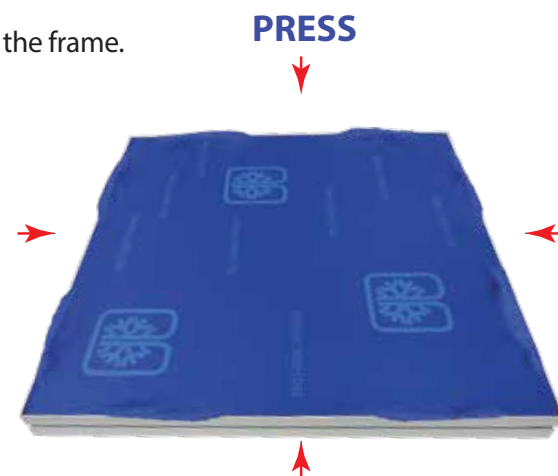
CORRECT WAY



2: Working in Centers.

Go back and press the silicone edge into the center - on each side of the frame.

EXAMPLE: A 20"x20" fabric/frame would be pressed in 8 locations.



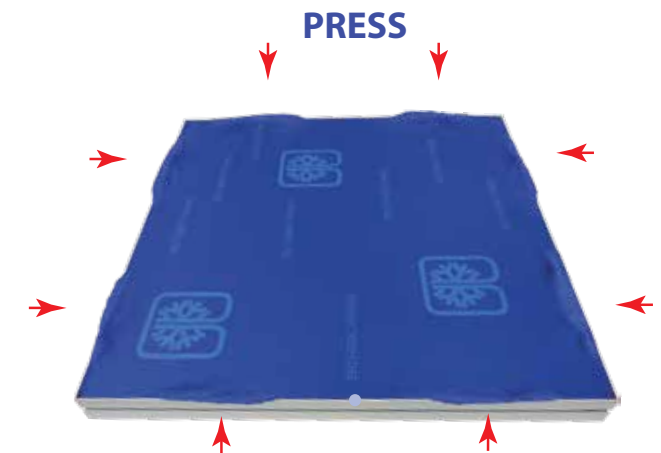
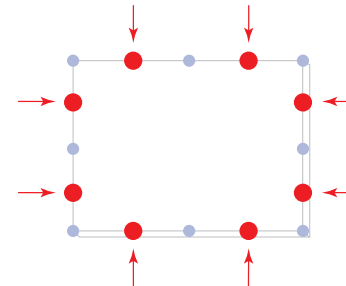
Cont'd.

3: Working in Centers again,

Go back and press the silicone edge once again on each side previous center, on all 4 sides.

Repeat this process, (WORKING IN CENTERS) until the SEG fabric's edge is pressed approximately every 6 inches apart.

EXAMPLE: A 8' x 8' frame (using this procedure) will have been pressed/tucked 15 times (not including corners) on each side of the frame.



4: After all has been pressed into your frame using

this procedure, lightly tap your forefinger to smooth fabric between the tucks.



CARE INSTRUCTIONS

Due to the fine quality, smoothness and weave of the fabric, great care must be taken to extend the life of your SEG fabric graphics.

We recommend very loosely folding your graphic, making sure there are no hard creases or folds or that the fabric doesn't catch on sharp objects.

Store in a clean bag.

A plastic bag or pillow case is ideal.

Graphics can also be spot cleaned with a damp cloth.

To wash entire graphic, use a commercial size front loading washing machine on gentle cycle with cool water. Do NOT dry clean.

You can also gently iron the back side using the Polyester setting of your iron.





RETAIN ALL PACKING MATERIAL

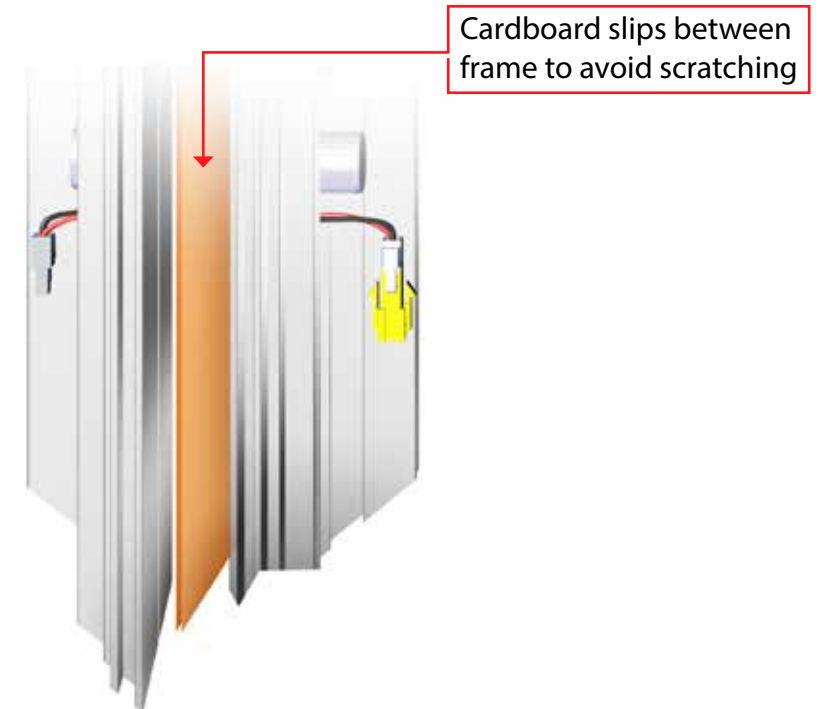
will make re-packing easier and reduce the likelihood of shipping damage.

TIGHTEN ALL SET SCREWS AND LOCKS

when disassembling aluminum extrusions, to prevent loss during shipping.



CAUTION NOT TO CATCH OR PULL LED SOLDER WIRING



CLEANING / CARE INSTRUCTIONS

Use care when cleaning aluminum extrusion.
Use only non-abrasive cleaners.

When cleaning laminate, metal fusion or counter tops
use mild cleansers and a soft material such as cotton.

Keep all display components away from extreme heat and
long exposure to sunlight to avoid warping and fading.

STEP 1



Position straps.

STEP 2



Feed strap thru strap buckle.

STEP 3



Pull strap thru till snug.

STEP 4



Pull strap up parallel to case

STEP 5



Strap down and fasten to velcro