

8

7

6

5

4

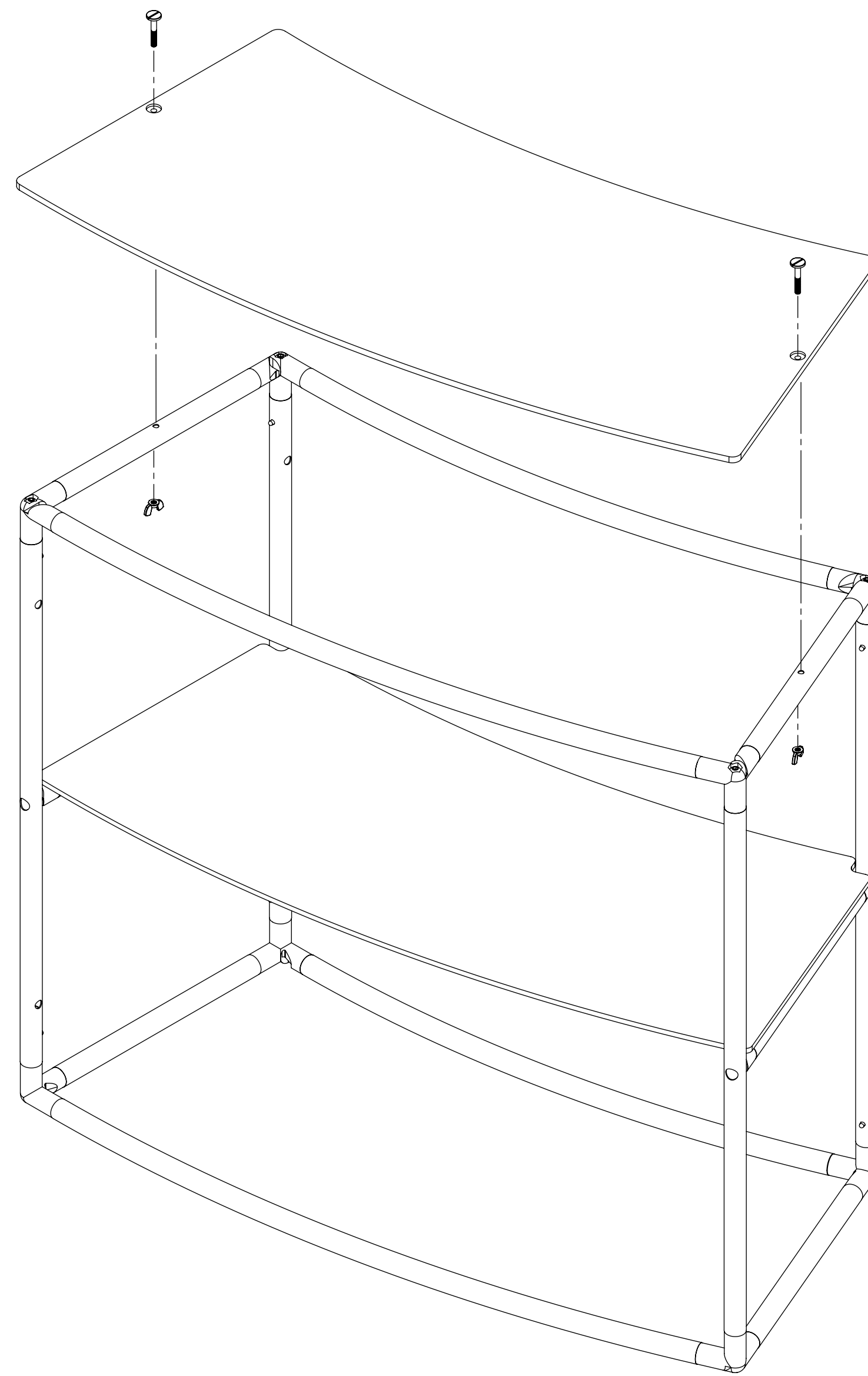
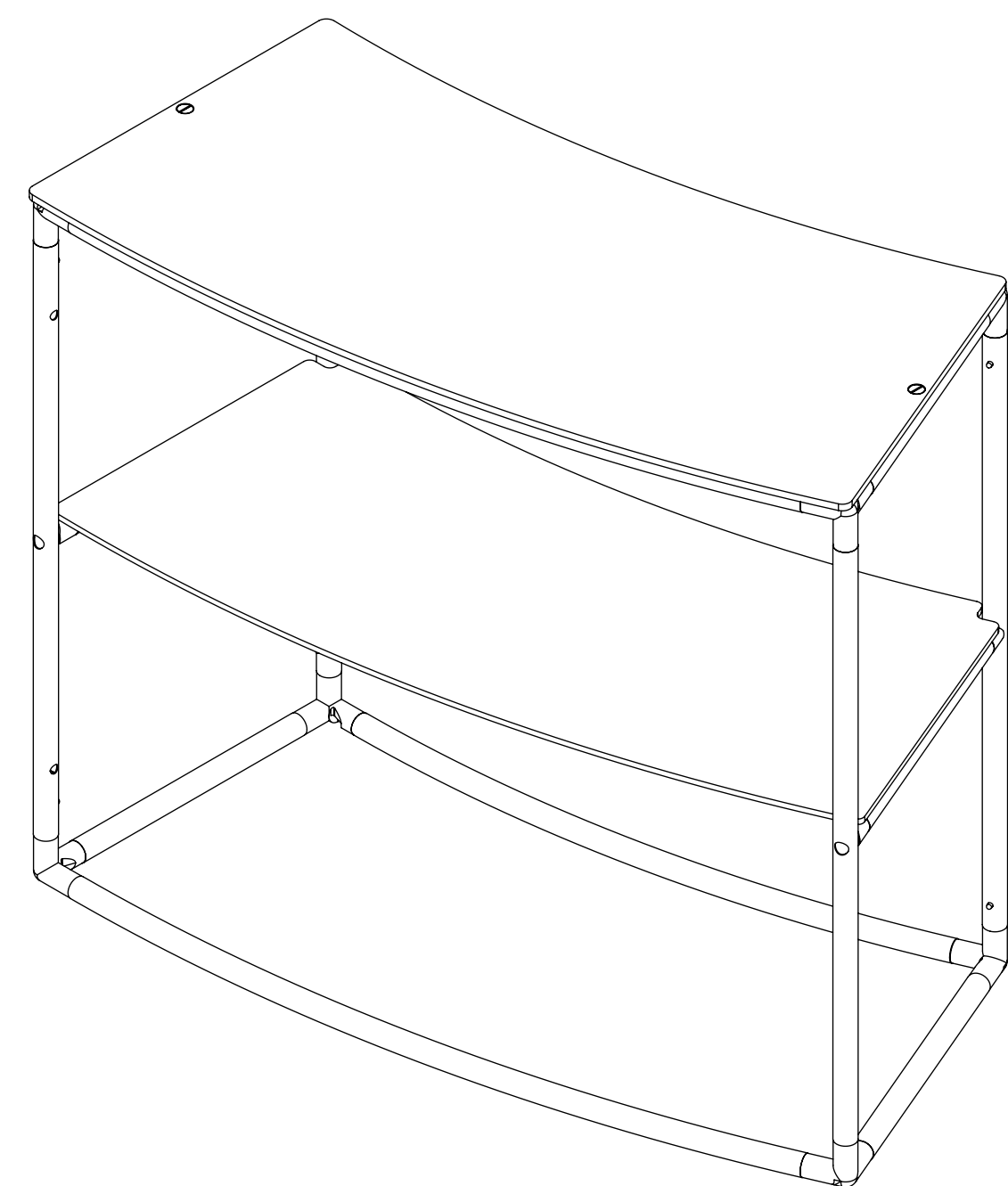
3

2

1

NOTE: UNLESS OTHERWISE SPECIFIED

- 1. **ASSEMBLY-TIME : 1/2 HOUR WITH 1 PERSON.**
- 2. **ON FRAME 1 , MATCH LABELS ON TUBING CORNERS (B1 to B1) , (B2 to B2) , ETC.**



WAVE TUBE COUNTER®

**45" WIDE
38-1/2" HIGH
19-1/8" DEEP**

B-Labels

B-Labels

B-Labels

B-Labels

FRAME 1

NIEDO GROUP , INC

SIZE	DWG. NO.	REV
D	Top-Assy WTCF	A
SCALE: 1:8		SHEET 1 OF 3

8

7

6

5

4

3

2

1