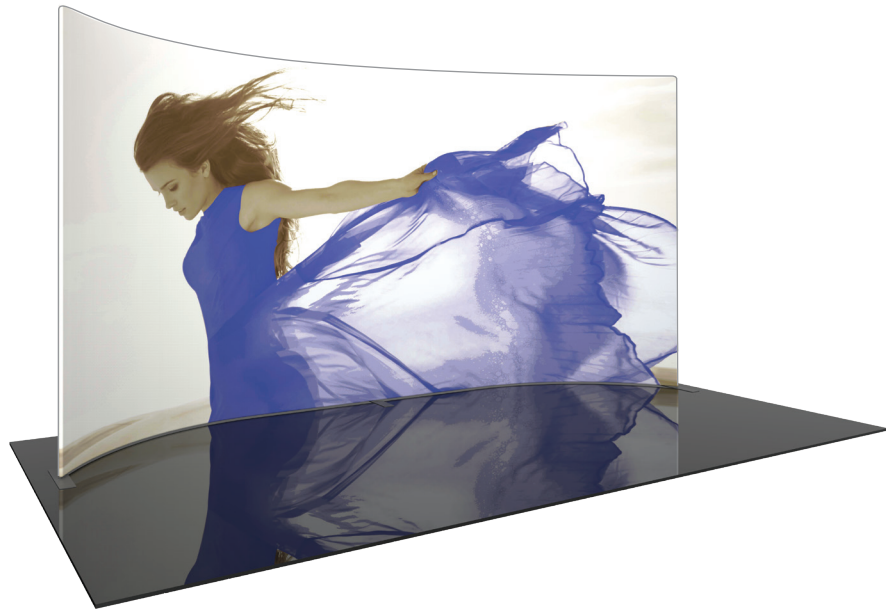


# Formulate Master 20ft Horizontal 10ft Tall Fabric Backwall

## FMLT-WH2010

Formulate® is a collection of sophisticated, ergonomically designed exhibit booths. Formulate combines state-of-the-art zipper pillowcase dye-sublimated fabric coverings with advanced lightweight aluminum structures to provide unique design, functionality, and style. The excellence of the Formulate line of displays, hanging structures and products is simply unmatched. Stretch fabric graphics are hand-sewn, durable and dry-cleanable.



## features and benefits:

- State-of-the-art 30mm aluminum tube frame with snap button assembly
- Easy to store and ship
- Quick to set up
- Frame converts down to an 8' height
- 8' height graphic sold separately
- Kit includes: one frame, one dye-sublimated zipper pillowcase graphic, and two wheeled molded storage case
- Lifetime hardware warranty against manufacturer defects

## dimensions:

### Hardware

### Graphic

Assembled unit:  
226.60"w x 120.5"h x 54.91"d  
5756mm(w) x 3061mm(h) x 1395mm(d)

Refer to related graphic template for more information.

Approximate weight:  
59 lb / 27 kg

One year warranty

Visit:  
<https://www.theexhibitorshandbook.com/download-graphic-templates>

### Shipping

## additional information:

Packing case(s):  
2 OCE-2

Graphic material:  
Dye-sublimation zipper pillowcase fabric

Shipping dimensions:  
OCE-2: Expandable case length (l) may vary  
40" - 66"l x 18"h x 18"d  
1016mm-1677mm(l) x 458mm(h) x 458mm(d)

When included in a larger order, a different packaging solution will be provided to accommodate all contents of the order. Individual packaging may no longer be provided.

Approximate total shipping weight:  
113 lb / 52 kg

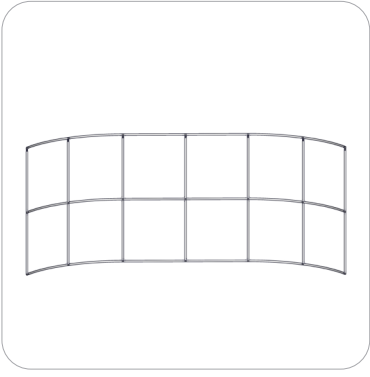


This product may include the following materials for recycle:  
aluminum, select wood, fabric, cardboard, paper, steel, and plastics.

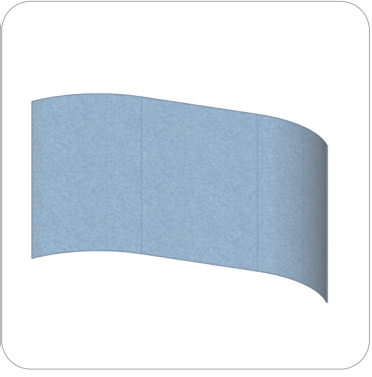
We are continually improving and modifying our product range and reserve the right to vary the specifications without prior notice. All dimensions and weights quoted are approximate and we accept no responsibility for variance. E&OE. See Graphic Templates for graphic bleed specifications.

# Included In Your Kit

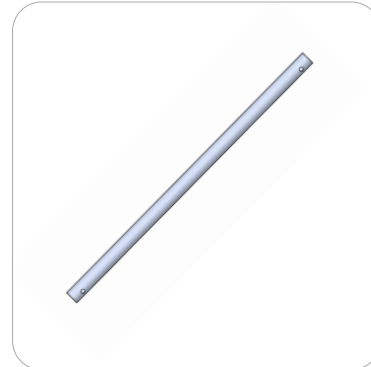
Components, Connectors & Graphics



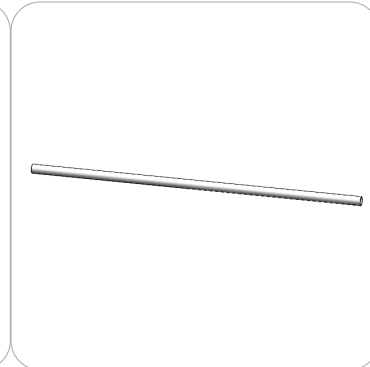
FMLT-WH20-F x1



FMLT-WH2010-G x1



TUBE-679 x7



WH-20-T3 x2



WH-20-T1 x4



TC-30-T x2



TC-30-X x5

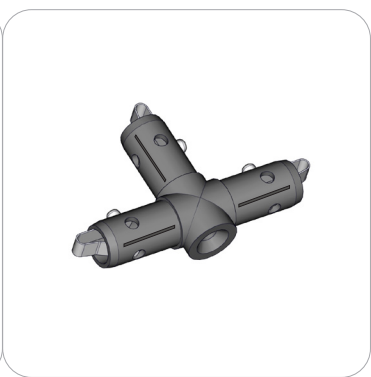


TC-30-90B x2

FMLT-10FT-EXT-HC2010 x1



TC-30-T-CS x4



TC-30-TB x1



PLT-BP-LN114-S2-450 x3



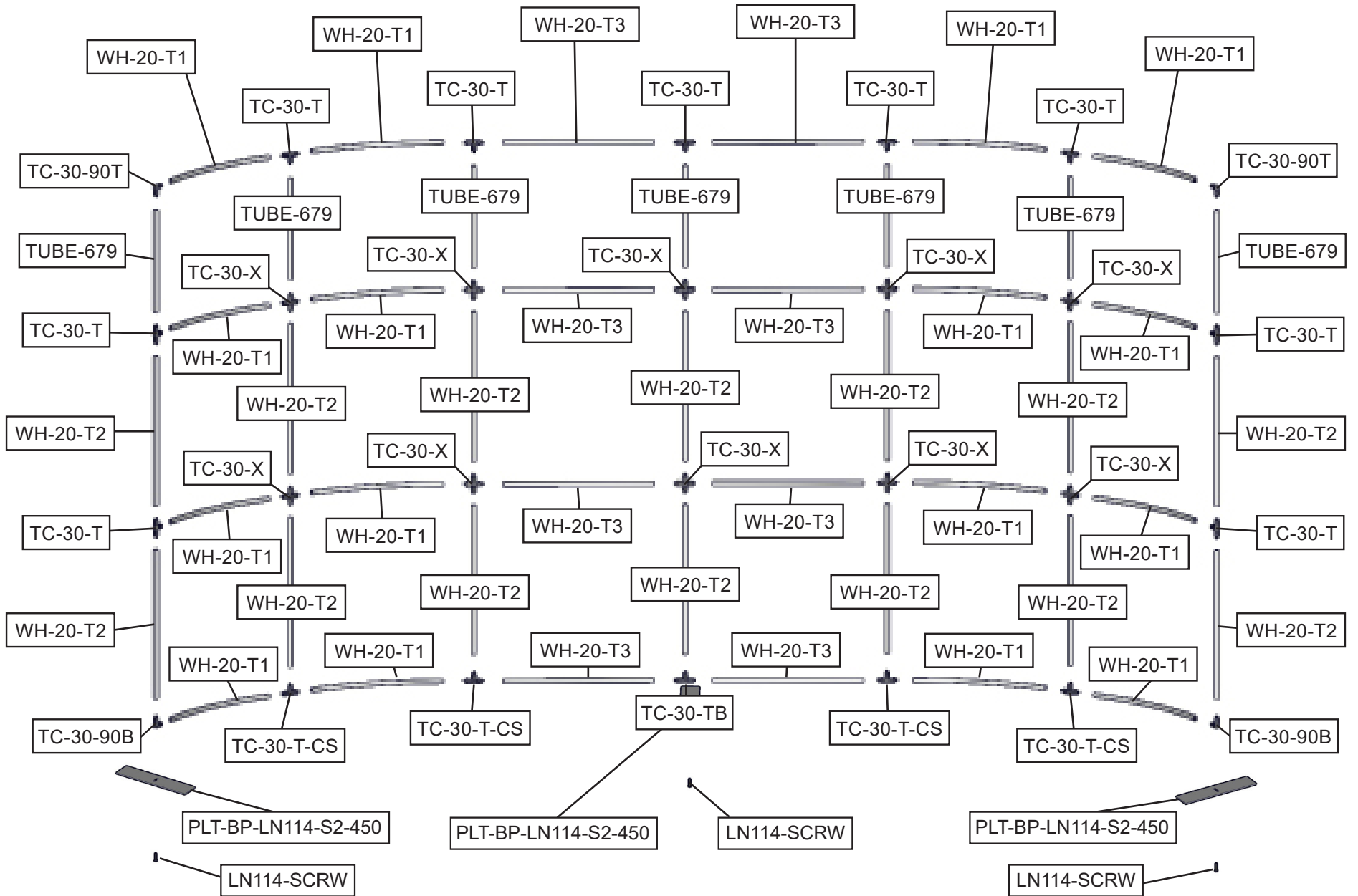
LN114-SCRW x3



6MM-HEX-KEY x1

# Exploded View

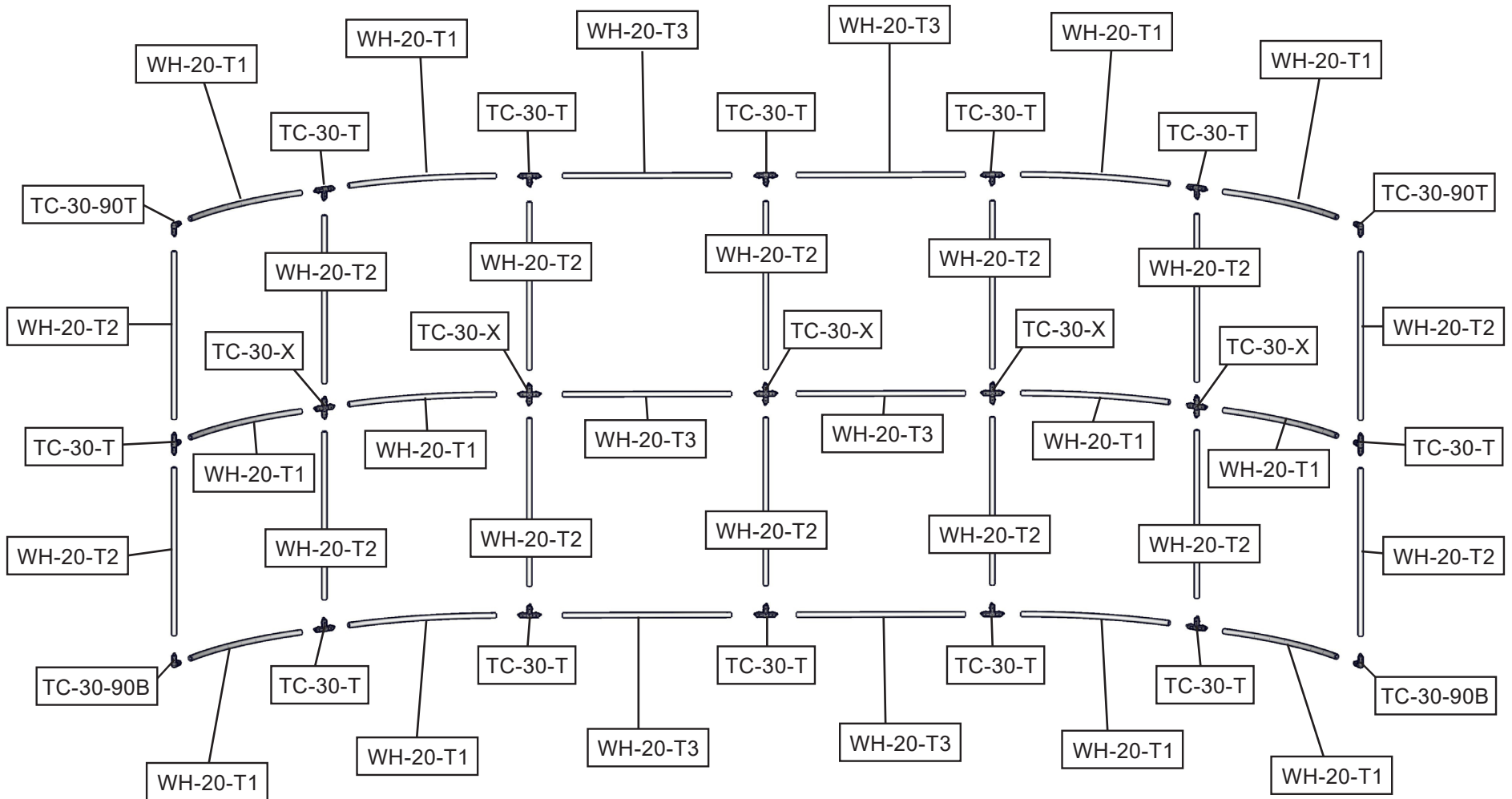
FMLT-WH2010



# Exploded View for 8' Height Frame Option

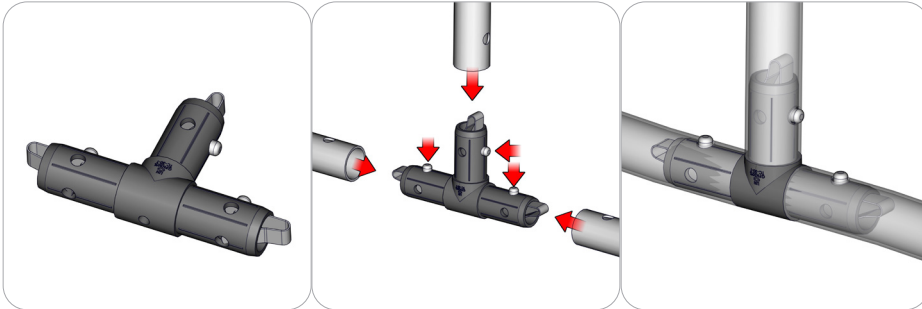
FMLT-WH20-F

8' height graphic sold separately



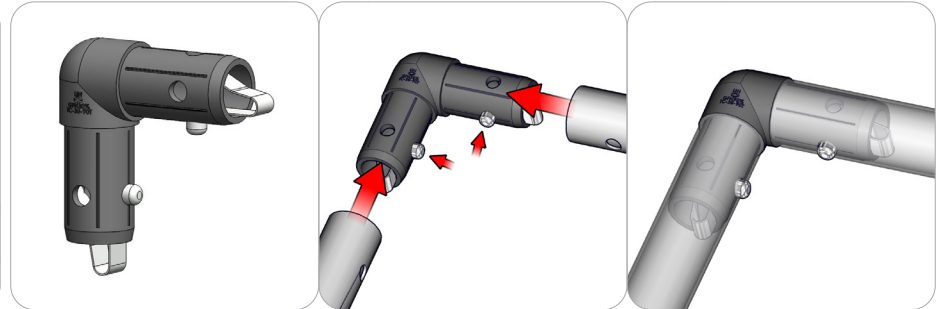
# Connection Methods

## Connection Method 1: TC-30-T



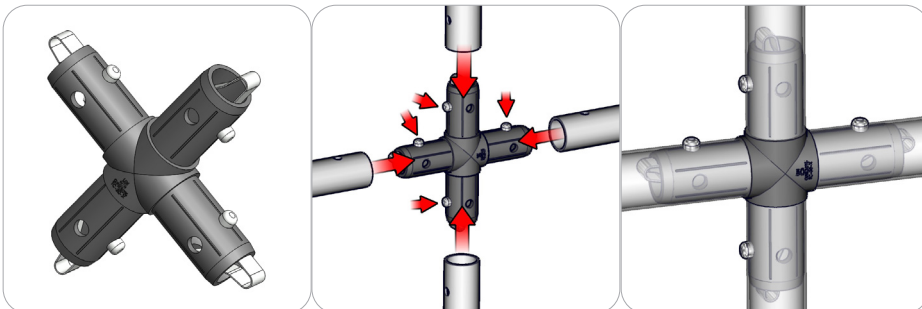
Take the plastic connector and make sure the snap buttons are in proper position for the frame tube holes. Simply press the snap button with your thumb and carefully slide the tube onto the connector. The snap button should pop through. Some twisting may be necessary to assure the snap button has popped all the way through the tube hole. Do not force the connection and be careful with the tube edges, they may be sharp.

## Connection Method 2: TC-30-90T



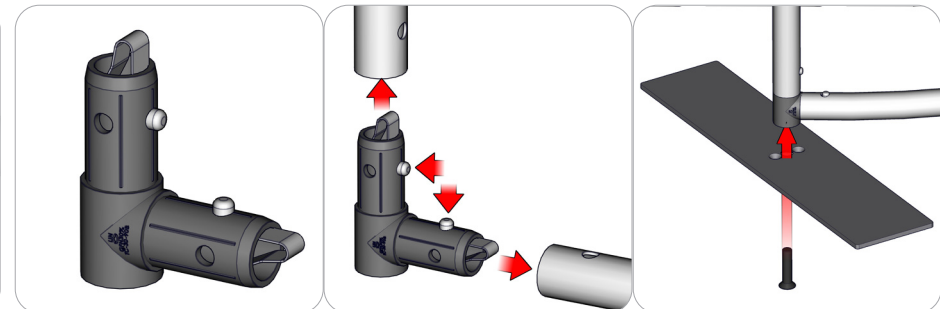
Take the plastic connector and make sure the snap buttons are in proper position for the frame tube holes. Simply press the snap button with your thumb and carefully slide the tube onto the connector. The snap button should pop through. Some twisting may be necessary to assure the snap button has popped all the way through the tube hole. Do not force the connection and be careful with the tube edges, they may be sharp.

## Connection Method 3: TC-30-X



Take the plastic connector and make sure the snap buttons are in proper position for the frame tube holes. Simply press the snap button with your thumb and carefully slide the tube onto the connector. The snap button should pop through. Some twisting may be necessary to assure the snap button has popped all the way through the tube hole. Do not force the connection and be careful with the tube edges, they may be sharp.

## Connection Method 4: TC-30-90B



Take the plastic connector and make sure the snap buttons are in proper position for the frame tube holes. Simply press the snap button with your thumb and carefully slide the tube onto the connector. The snap button should pop through. Some twisting may be necessary to assure the snap button has popped all the way through the tube hole. Do not force the connection and be careful with the tube edges, they may be sharp.

With the plastic connector in secured place, use the provided hex key for attaching the base plate with the M10 screw. Once the base plate is in the desired position, tighten the set screw.

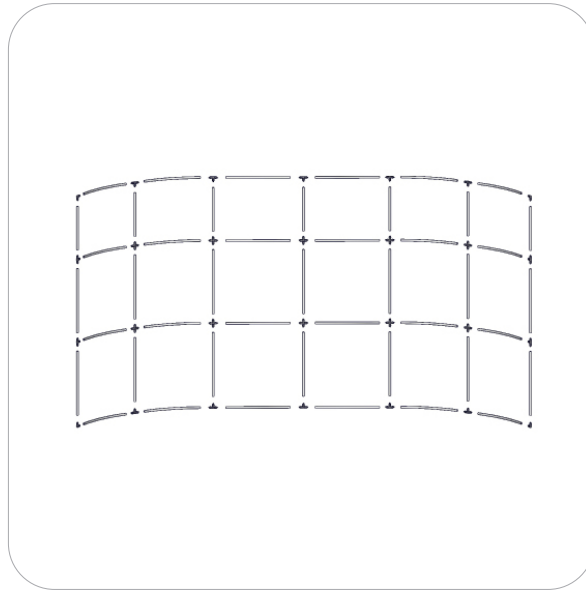
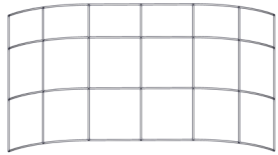
# Kit Assembly

## Step by Step

### Step 1.

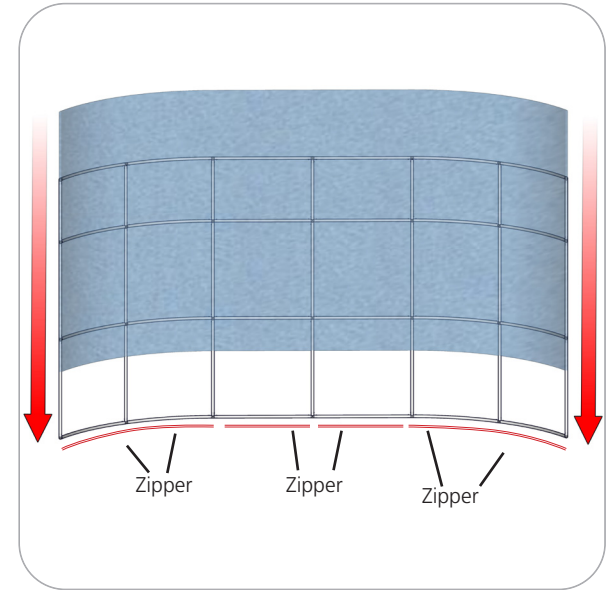
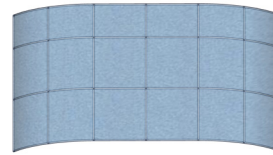
Gather the components to build the frame. Use the Exploded View for part labels.

Reference Connection Method(s) 1, 2, 3 and 4 for more details.



### Step 2.

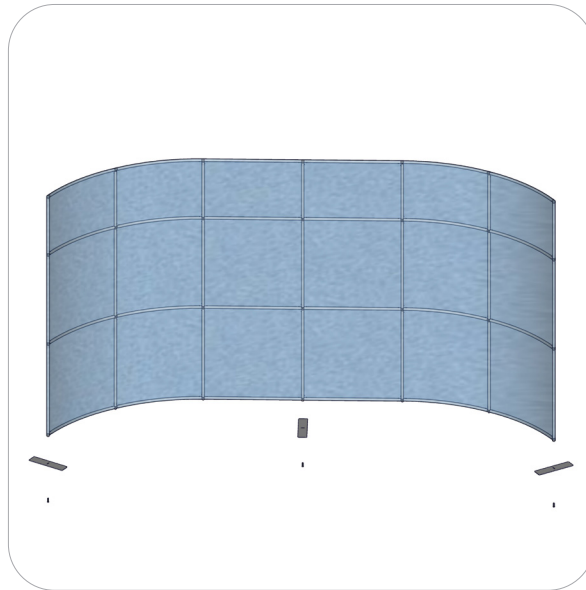
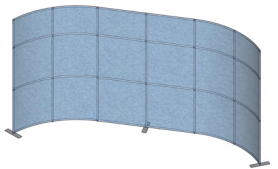
Pull the pillowcase graphic over the frame and zipper it closed at the bottom.



### Step 3.

Locate the stabilizing bases. Attach each foot to the bottom ends of the frame. Use the allen key tool provided to fasten the bases in place.

Reference Connection Method(s) 4 for more details.



### Step 4.

Setup is complete.

