

QSEG CUBIC COUNTER LARGE

QSEG MODULAR SEG DISPLAY
 PRODUCT CODE: QSEG-CNTR-LRG



On frame On graphic



PRODUCT DESCRIPTION

Introducing the QSEG Counter Large, a sleek and versatile solution for your display needs. Crafted with precision and designed for convenience, this square counter display offers a perfect blend of style and functionality.

Measuring at 39.4" in width, 39.4" in height, and 13.75" in depth, this compact yet spacious counter provides ample room for showcasing your products or promotional materials. Its silver aluminum profiles ensure durability and stability, while the white laminate MDF counter top adds a touch of sophistication to your presentation.

With the QSEG Counter Large, changing graphics is a breeze. Featuring 4 dye sublimated fabric graphics with silicone edge graphic (SEG) finishing, you can effortlessly install and remove graphics as needed, allowing for seamless customization and versatility in your displays.

Setting up your exhibit is quick and hassle-free, thanks to the innovative QSEG latch system. Say goodbye to complicated assembly processes and cumbersome tools – with this intuitive system, you can have your counter ready for action within minutes.

But convenience doesn't end there. This counter also comes equipped with a removable inner shelf, providing added flexibility for organizing your materials. And when it's time to hit the road, simply pack everything into the included travel bag for convenient storage and transport.

Whether you're showcasing products at a trade show, event, or retail space, the QSEG Counter Large is your trusted companion for making a lasting impression. Upgrade your display experience today and elevate your brand with style and ease.

DISPLAY DIMENSIONS	39.4"W x 39.4"H x 13.75"D
GRAPHIC SIZE S	39"W x 39.75"H (Front/Back) 13.5"W x 39.75"H (End Caps)

GRAPHIC MATERIAL

Dye Sub Stretch Fabric

GRAPHIC FINISHING

12mm x 3mm silicone beading is sewn around the perimeter of the fabric graphic. Silicone beading is hidden from view once installed.

DISPLAY CONSTRUCTION

Aluminum extrusion frame with plastic components and white MDF counter top.

SHIPPING WEIGHTS & DIMENSIONS

Shipping Weight	40 lbs (Graphic Package) 36 lbs (Hardware Only) 1 lb(Graphic Only - 1 Panel)
Shipping Dimensions	41.75"W x 15.75"H x 4.75" D (Graphic Package) 41.75"W x 15.75"H x 4.75" D (Hardware Only) Polybag (Graphic Only)

WEIGHT CAPACITY

Counter Top	30 lbs
Inner Shelf	22 lbs



Includes Travel Bag w/Wheels
 Dimensions: 41.7"W x 15.7"H x 4.7" D

QSEG CUBIC COUNTER LARGE

QSEG MODULAR SEG DISPLAY
PRODUCT CODE: QSEG-CNTR-LRG



On frame



On graphic



ADDITIONAL IMAGES



Tool Free Frame Assembly



Pull Lever Latch System



Includes Inner Shelf



3 Inner Shelf Mounting Locations



Silicone Edge Graphics (SEG)



Includes Travel Bag w/Wheels

QSEG CUBIC COUNTER LARGE

QSEG MODULAR SEG DISPLAY
PRODUCT CODE: QSEG-CNTR-LRG



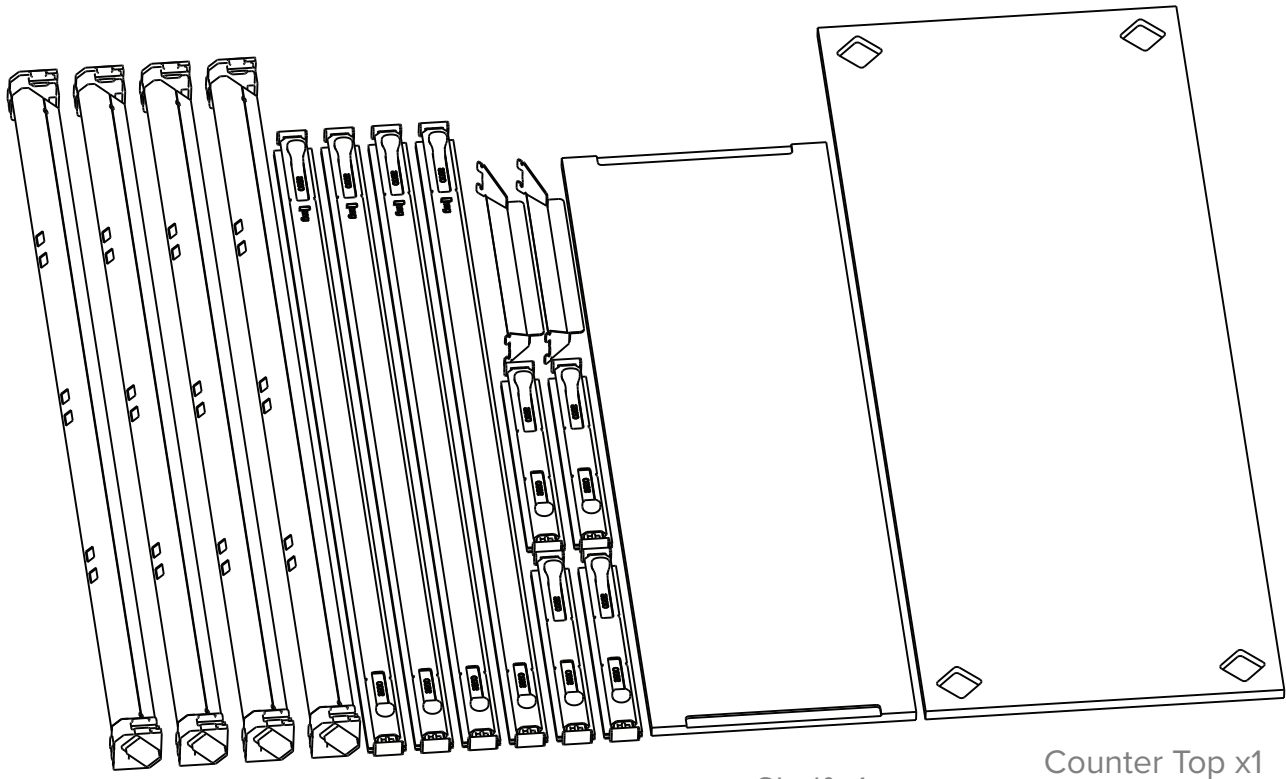
On frame



On graphic



PARTS LIST



Vertical Profile x4

Horizontal Profile Long x4
Horizontal Profile Short x4

Shelf x1
Shelf Bracket x2

Counter Top x1



Travel Bag w/Wheels x 1

QSEG CUBIC COUNTER LARGE

QSEG MODULAR SEG DISPLAY
PRODUCT CODE: QSEG-CNTR-LRG



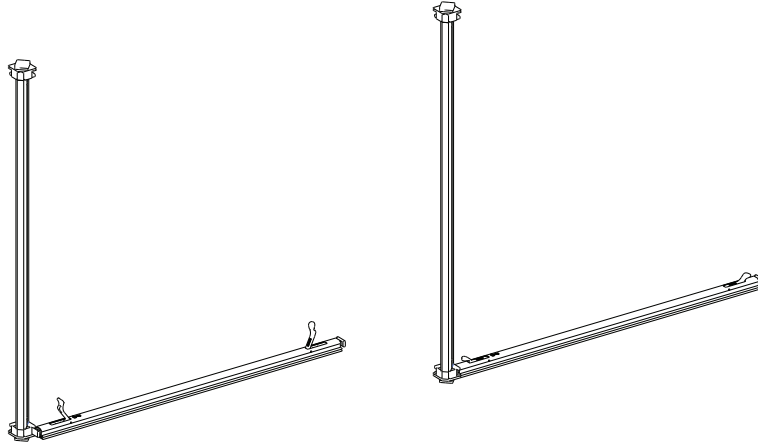
On frame



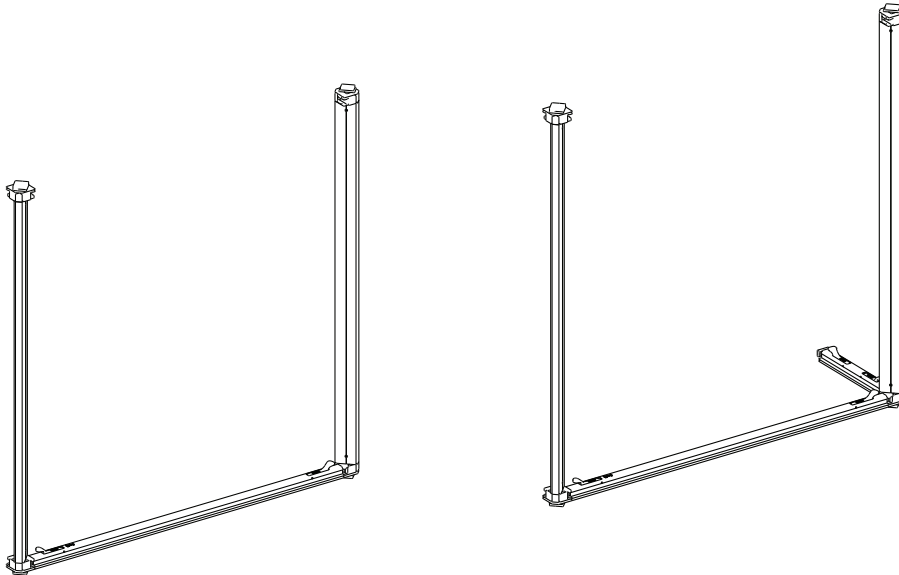
On graphic



SET UP INSTRUCTIONS



Step 1



Step 2

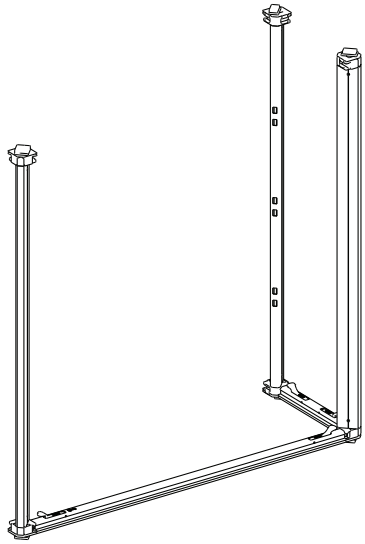
Step 3

QSEG CUBIC COUNTER LARGE

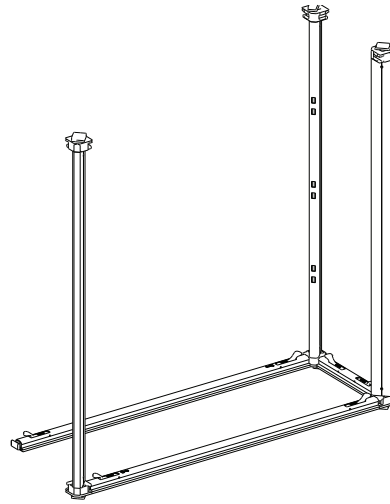
QSEG MODULAR SEG DISPLAY
PRODUCT CODE: QSEG-CNTR-LRG



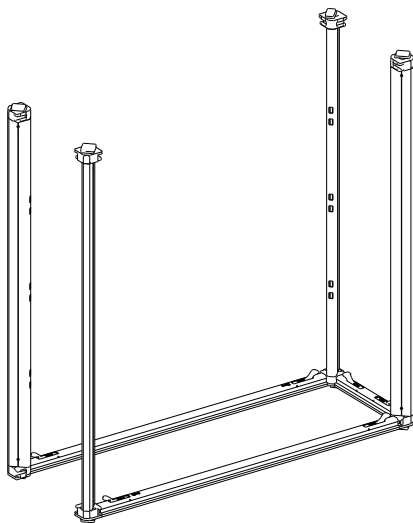
On frame On graphic



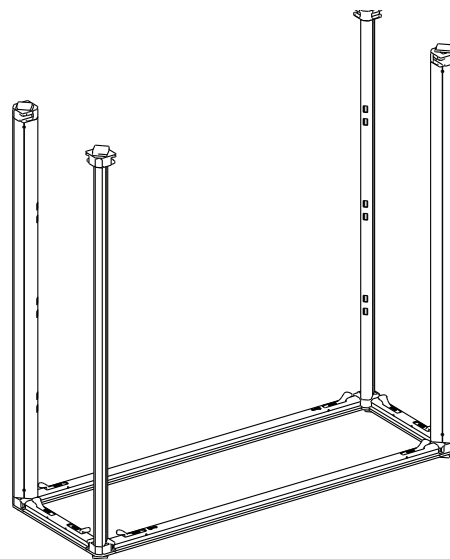
Step 4



Step 5



Step 6



Step 7

QSEG CUBIC COUNTER LARGE

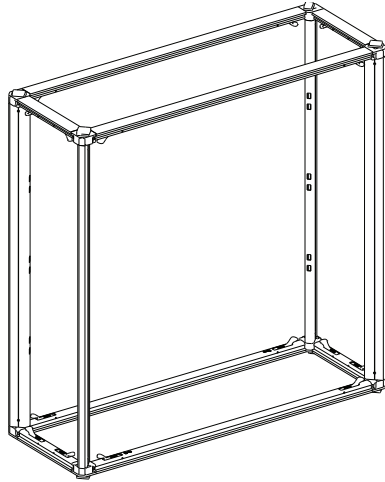
QSEG MODULAR SEG DISPLAY
PRODUCT CODE: QSEG-CNTR-LRG



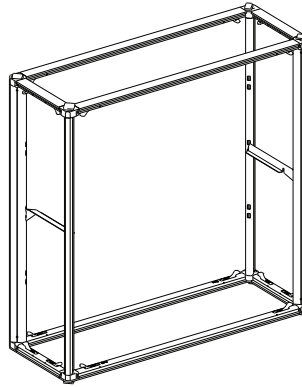
On frame



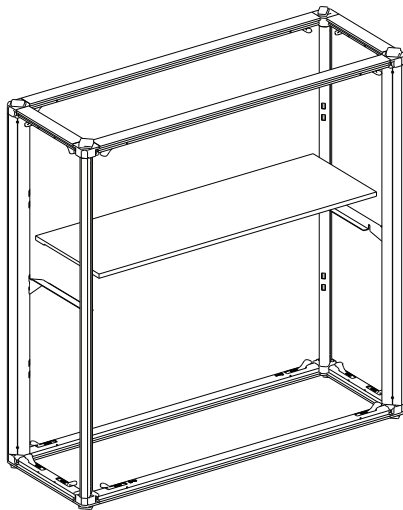
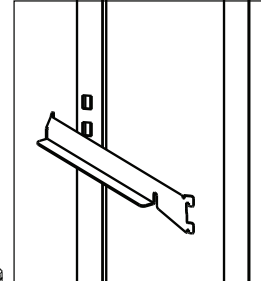
On graphic



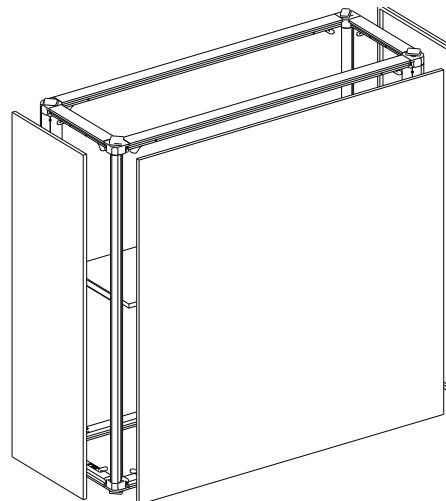
Step 8



Step 9



Step 10



Step 11